

TSX 561I ALL-TERRAIN

3/15/2021



DISCLAIMER: Content of this PDF is information in possession of Altoz at the time of creation of this PDF and may not represent future changes. Altoz recommends using the electronic version of the parts catalog for the most current information. Product specifications and appearance are subject to change.

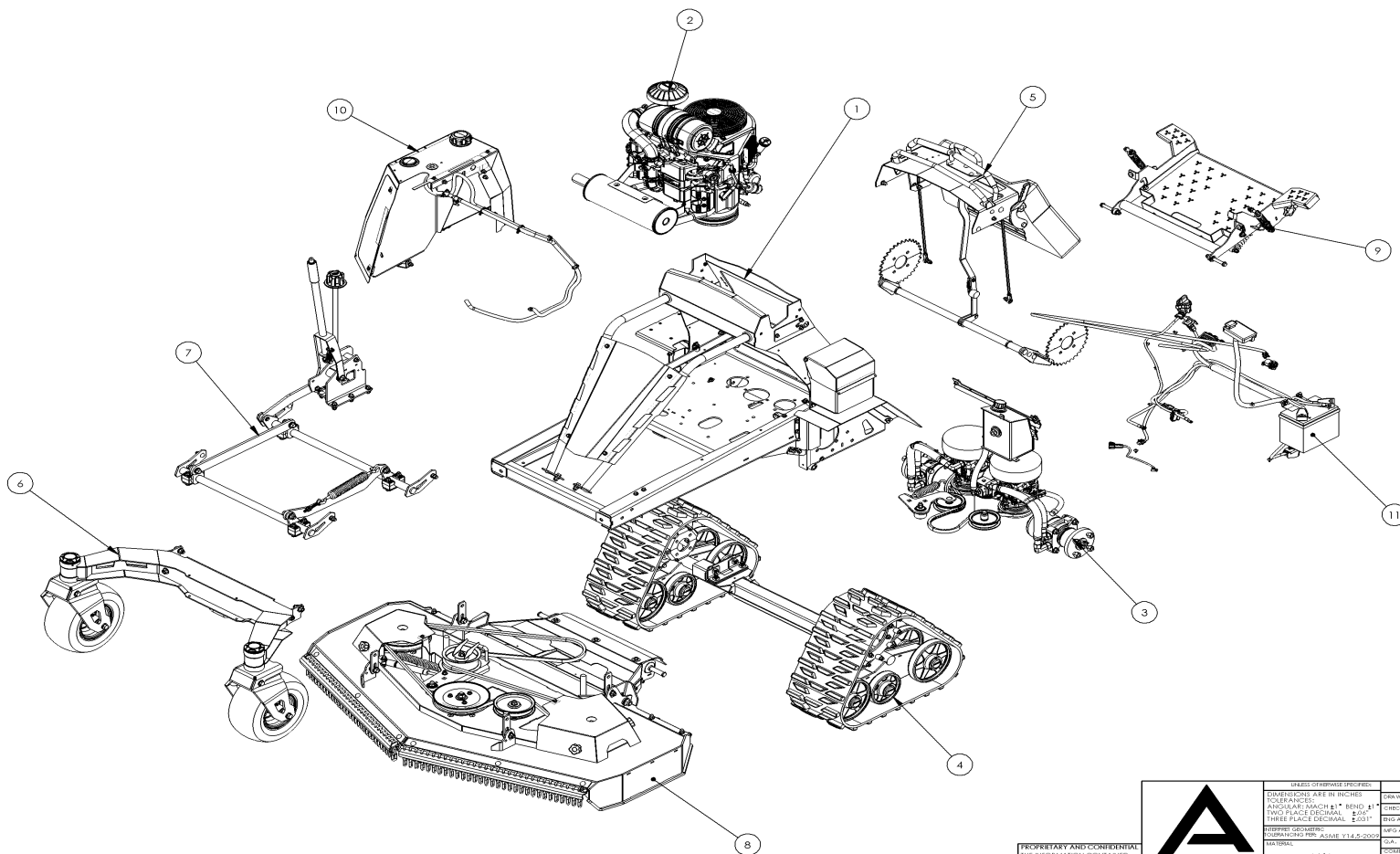
Table of Contents

1055126, TSX 561I ALL-TERRAIN	4
9990757, SYS,FRAME,TSX561 EFI,2021	6
9990758, SYS,ENGINE/EXHAUST,TSX561I K29.5,2021	9
9990759, SYS,DRIVE,TSX561 EFI,2021	11
2001324, ASM,DRIVE TENSIONER,TSX	14
2001339, ASM,HYDRAULIC TANK,TSX	16
2001347, ASM,HYDRAULIC FILTER/FITTINGS,TSX	18
9990760, SYS,TRACK,CARTRIDGE,TSX561 EFI,2021	20
2001332, ASM,TORSION AXLE/IDLERS,CARTRIDGE,TSX.....	22
2001077, ASM,CAST IDLER WHEEL,OUTER,8	24
2001173, ASM,CAST IDLER WHEEL,OUTER,6	26
2001331, ASM,TORSION AXLE/TUBE,CARTRIDGE,TSX	28
2001333, ASM,DRIVE WHEEL,OUTER,12P,TSX	30
2001334, ASM,DRIVE WHEEL,INNER,12P,TSX	32
9990761, SYS,STEERING/PARK BRAKE,TSX,2021	34
2001321, ASM,STEERING CONTROL ROD,TSX	37
2001322, ASM,STEERING CONTROL LEVER,RH,TSX	39
2001323, ASM,STEERING CONTROL LEVER,LH,TSX	41
2001343, ASM,FOAM LEG PAD,TSX.....	43
9990762, SYS,FRONT AXLE,TSX/XHPD,2021	45
2001099, ASM,FRONT AXLE FORK,TRQFLX,TRX561/TSX.....	47
9990763, SYS,DECK LIFT,TSX561 EFI,2021.....	49
2000771, ASM,ADJMNT KNOB,DECK HEIGHT,XC/XPHD/TRX.....	52
2001320, ASM,ADJ BASE PLATE,HOC SHAFT,TSX	54
2001325, ASM,DECK LIFT HANDLE,TSX	56
9990764, SYS,DECK,ALL-TERRAIN,TSX561 EFI,2021	58
2001317, ASM,MOWER DECK,ALL-TERRAIN,TSX561	60
2000912, ASM,BLADE,ALL TERRAIN DECK,TRX610/TSX561	63
2001315, ASM,FRONT CHAIN GUARD,LH,TSX561 AT	65
2001316, ASM,DECK TENSIONER,TSX	67
2001326, ASM,BOLTED SPINDLE PULLEY,TSX AT	69
2001327, ASM,REAR GUARD,RUBBER,RH,TSX561 AT	71
2001328, ASM,REAR GUARD,RUBBER,LH,TSX561 AT.....	73

	3
2001329, ASM,FRONT CHAIN GUARD,RH,TSX561 AT	75
2900623, SPINDLE ASM,CLAMP,TRX AT DECK.....	77
2001330, ASM,DECK STABILIZER PAN,TSX561 AT	79
9990765, SYS,FOOT PAN,TSX,2021.....	81
9990766, SYS,FUEL,TSX561 EFI,2021.....	83
2001340, ASM,FUEL TANK COVER,TSX.....	85
2001341, ASM,FUEL TANK,TSX.....	87
2001350, ASM,HOSE,FUEL,16	89
9990767, SYS,ELECTRICAL,TSX561I K29.5,2021	91

1055126, TSX 561I ALL-TERRAIN

UNCONTROLLED DOCUMENT IF PRINTED

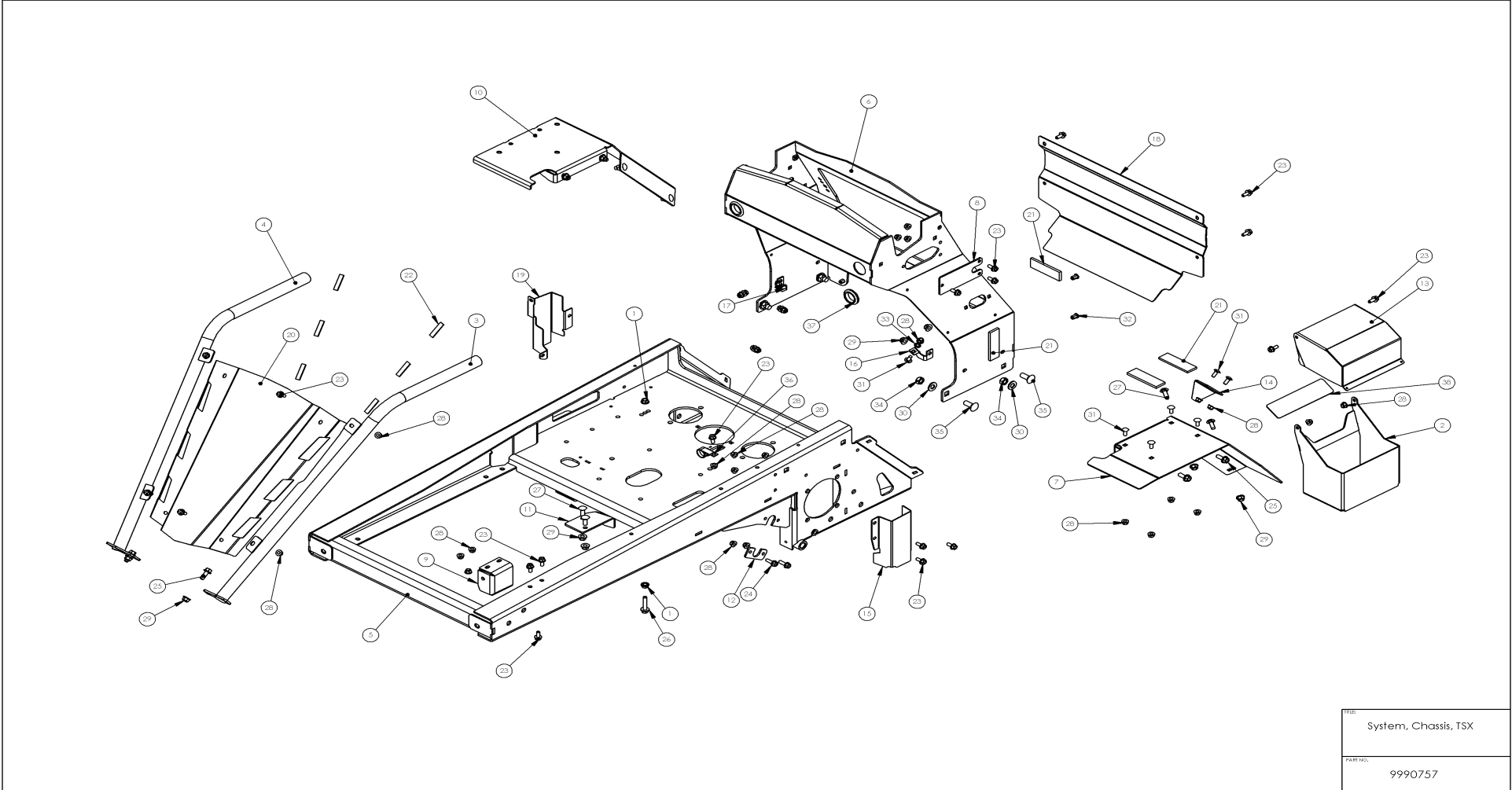


A	UNLESS OTHERWISE SPECIFIED: DIMENSIONS ARE IN INCHES TOLERANCES: FINISH: SURFACE: METHOD:	DRAWN	DATE	ALTOZ TSX 561I ALL-TERRAIN		
	ANCHOR: 1/4" X 1" BEND 1/4"	JL	12/20			TITLE
	ENG APPR:					REV
	DATE:					
PROPRIETARY AND CONFIDENTIAL THE INFORMATION CONTAINED HEREIN IS THE SOLE PROPERTY OF GENERAL BOLLER. ANY REPRODUCTION IN PART OR AS A WHOLE WITHOUT THE WRITTEN PERMISSION OF GENERAL BOLLER IS PROHIBITED.	N/A	COMMENTS:	PART NO: 1055126		REV	
SURFACE FINISH:		PRINT DATE: 3/8/2021	SCALE:	SHEET 2 OF 2		

Ref#	Part#	Description	Qty
1	9990757	SYS,FRAME,TSX561 EFI,2021	1
2	9990758	SYS,ENGINE/EXHAUST,TSX561I K29.5,2021	1
3	9990759	SYS,DRIVE,TSX561 EFI,2021	1
4	9990760	SYS,TRACK,CARTRIDGE,TSX561 EFI,2021	1
5	9990761	SYS,STEERING/PARK BRAKE,TSX,2021	1
6	9990762	SYS,FRONT AXLE,TSX/XHPD,2021	1
7	9990763	SYS,DECK LIFT,TSX561 EFI,2021	1
8	9990764	SYS,DECK,ALL-TERRAIN,TSX561 EFI,2021	1
9	9990765	SYS,FOOT PAN,TSX,2021	1
10	9990766	SYS,FUEL,TSX561 EFI,2021	1
11	9990767	SYS,ELECTRICAL,TSX561I K29.5,2021	1

9990757, SYS,FRAME,TSX561 EFI,2021

UNCONTROLLED DOCUMENT IF PRINTED



Ref#	Part#	Description	Qty
1	7787	NUT	2
2	1201009	WELD,BATTERY TRAY,TSX	1
3	1201021	WELD,FRONT GUARD,LH SUPPORT,TSX	1
4	1201022	WELD,FRONT GUARD,RH SUPPORT,TSX	1
5	1201024	WELD,CHASSIS,TSX,2021	1
6	1201025	WELD,CONTROL TOWER,TSX	1
7	3106175	TRACK FENDER,LH,10GA,TSX	1
8	3106176	COVER PLATE,UPPER BRAKE SHAFT,10GA,TSX	1
9	3106200	MNT,LIFT ASSIST SPRING,7GA,TSX	1
10	3106206	TRACK FENDER,RH,10GA,TSX	1
11	3106207	BRKT,CLUTCH ANTI-ROTATION,7GA,TSX	1
12	3106209	RETAINER PLATE,LWR BRAKE SHAFT,7GA,TSX	2
13	3106294	COVER,BATTERY TRAY,14GA,TSX	1
14	3106295	INSERT,FENDER TRANSITION,10GA,TSX	1
15	3106367	GUARD,HYDRAULIC HOSE,LH,14GA,TSX	1
16	3106375	MNT BRKT,HOSE CLAMP,RH,12GA,TSX	1
17	3106376	MNT BRKT,HOSE CLAMP,LH,12GA,TSX	1
18	3106377	COVER,LOWER TOWER ACCESS,12GA,TSX	1
19	3106380	GUARD,HYDRAULIC HOSE,RH,14GA,TSX	1
20	3106414	GUARD,ENGINE,FRONT COVER,16GA,TSX	1
21	4050023	FOAM	4
22	4050082	FOAM TAPE,ADH,1/16"Tx1/2"Wx1-7/8"L,BLK	6
23	5000127	BOLT	23
24	5000128	BOLT	4
25	5000130	BOLT	6
26	5000131	BOLT	1

27	5000146	BOLT	6
28	5000157	NUT	31
29	5000159	NUT	12
30	5000176	WASHER	4
31	5000196	BOLT	8
32	5000417	NUT	4
33	5000428	NUT	2
34	5000584	NUT	4
35	5000585	BOLT	4
36	5000748	J-CLIP,1"IDX.625",VINYL,BLK	1
37	5500065	GROMMET,1-1/4"IDX1-1/2"HOLEX1/8"PANEL	2
38	5500068	RUBBER,ADHESIVE BACK,2"X7-3/4"X1/16"EPDM	1

9990758, SYS,ENGINE/EXHAUST,TSX561I K29.5,2021

UNCONTROLLED DOCUMENT IF PRINTED

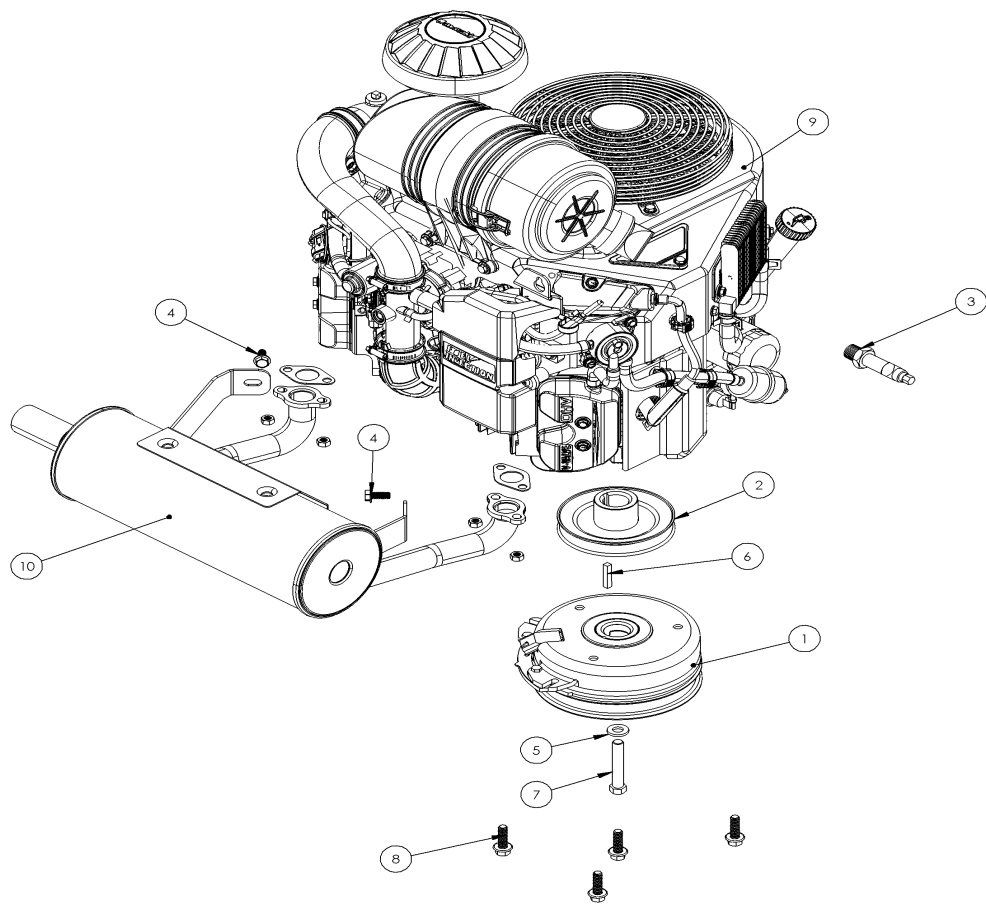


FIG.	ENGINE/EXHAUST, FX850 EFI, TSX
PART NO.	9990758

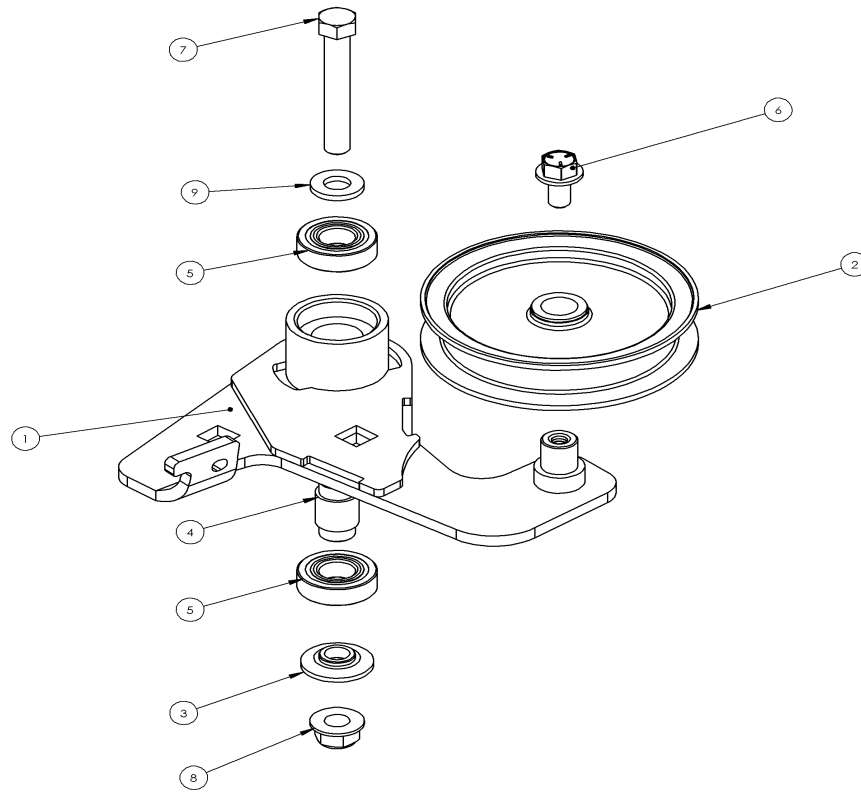
Ref#	Part#	Description	Qty
1	2900613	CLUTCH,DUAL STRAP,250FT LBS,CCW,1.125	1
2	2900633	PULLEY,DRIVE,5.0"ODX2.365"HUB,TSX	1
3	5000056	OIL DRAIN ASM	1
4	5000256	BOLT	2
5	5000364	WASHER	1
6	5000365	KEY,SQUARE,.25"X1.375"L,ZC	1
7	5000459	SCREW	1
8	5000460	BOLT	4
9	6200065	MARI	1
10	6500040	MUFFLER,KAWASAKI,FX,29.5HP,EFI	1

Ref#	Part#	Description	Qty
1	4698	COTTER PIN	2
2	2001324	ASM,DRIVE TENSIONER,TSX	1
3	2001339	ASM,HYDRAULIC TANK,TSX	1
4	2001347	ASM,HYDRAULIC FILTER/FITTINGS,TSX	1
5	2001352	ASM,HOSE,WHEEL MOTOR,18",SLEEVE/CLAMPS	1
6	2001352	ASM,HOSE,WHEEL MOTOR,18",SLEEVE/CLAMPS	1
7	2001353	ASM,HOSE,WHEEL MOTOR,13.5",SLEEVE/CLAMPS	1
8	2001353	ASM,HOSE,WHEEL MOTOR,13.5",SLEEVE/CLAMPS	1
9	2900344	PULLEY	1
10	2900634	BELT,DRIVE,NOTCHED,BX51	1
11	2900635	PULLEY,CAST,H-BUSHING BORE,5.25"OD	2
12	2900645	HQ BUSHING,PULLEY,17MM BORE/5MM KEY	2
13	3106203	SPACER,DRIVE IDLER,.453"IDX1.473",ZY,TSX	1
14	3106204	SPACER WASHER,WHEEL MTR MNT,7GA,TSX	4
15	3106307	MNT BRKT,HYDRAULIC TANK,10GA,TSX	1
16	5000143	SCREW	8
17	5000157	NUT	6
18	5000161	NUT	5
19	5000175	WASHER	1
20	5000176	WASHER	8
21	5000196	BOLT	6
22	5000259	SCREW	1
23	5000295	SPRING	1
24	5000364	WASHER	4
25	5000571	NUT	8
26	5000584	NUT	8

27	5000702	FIT,HYDR,10 JIC M X 10 ORB M,90°LONG ELB	2
28	5000703	FIT,HYDR,10 JIC M X 10 ORB M,90°ELBOW	2
29	5000704	FIT,HYDR,8 JIC M X 8 ORB M,90°LONG ELBOW	2
30	5000705	FIT,HYDR,8 JIC M X 8 ORB M,90°ELBOW	2
31	5000706	FIT,HYDR,8 ORB M X 1/2" BARB,90°ELBOW	2
32	5000714	KEY,SQUARE,5MM X1.125"L,ZC	2
33	5000719	FIT,HYDR,6 ORB M X 3/8" BARB,45°ELBOW	2
34	5000737	SCREW,7/16"-14X1-1/2",HHCS,GR8, ZY	4
35	5000738	LOOP CLAMP,CUSHIONED,TWO 7/8" HOSES	2
36	5000739	CLAMP,WORM DRIVE,SAE#6,5/16"WIDE,SS	6
37	5000739	CLAMP,WORM DRIVE,SAE#6,5/16"WIDE,SS	4
38	5000742	PINCH CLAMP,3.625"ID,0.281"WIDE,304SS	2
39	5000743	MARI	8
40	5700099	HOSE,TANK SUPPLY/FILTER,1/2"IDX11.5",TSX	1
41	5700100	HOSE,PUMP SUPPLY,1/2"IDX4.75",TSX	1
42	5700100	HOSE,PUMP SUPPLY,1/2"IDX4.75",TSX	1
43	5700101	HOSE,CASE DRAIN,RH,3/8"IDX8.5",TSX	1
44	5700102	HOSE,CASE DRAIN,LH,3/8"IDX10.5",TSX	1
45	5700107	HOSE,TRANS GUARD,3.5"ODX2.25",TSX561	2
46	6200061	PUMP MOTOR,RH TRANS,PR SERIES	1
47	6200062	PUMP MOTOR,LH TRANS,PR SERIES	1
48	6200063	WHEEL MOTOR,LH,TF0195,STANDARD ROT	1
49	6200064	WHEEL MOTOR,RH,TF0195,REVERSE ROT	1
50	8372038	KIT,HUB 4 BOLT	2

2001324, ASM,DRIVE TENSIONER,TSX

UNCONTROLLED DOCUMENT IF PRINTED

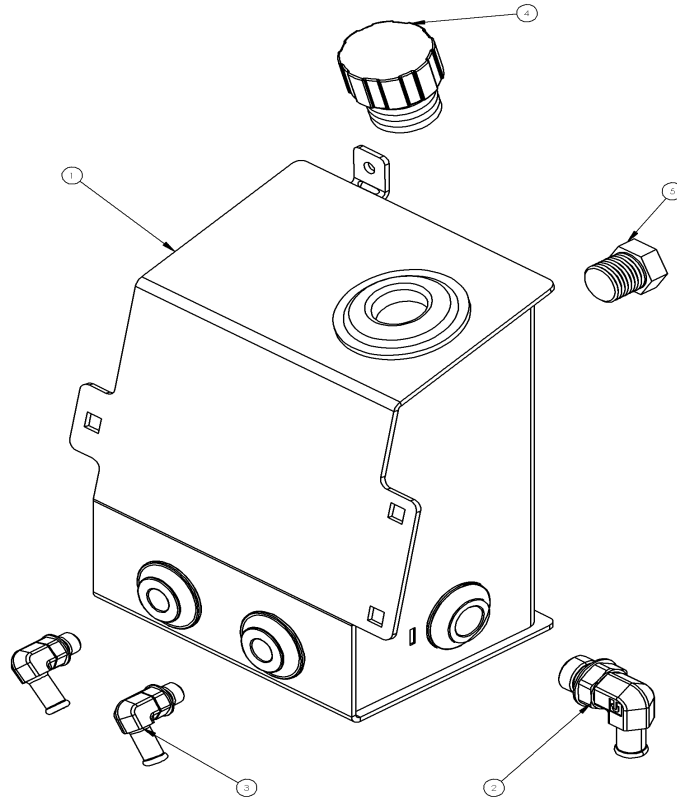


TITLE:	Asm, Drive Tensioner, TSX
PART NO.:	2001324

Ref#	Part#	Description	Qty
1	1200999	WELD,DRIVE TENSIONER,TSX	1
2	2900344	PULLEY	1
3	3100502	LOWER SPACER	1
4	3100503	SLEEVE	1
5	5000082	BEARING	2
6	5000129	BOLT	1
7	5000139	SCREW	1
8	5000161	NUT	1
9	5000364	WASHER	1

2001339, ASM, HYDRAULIC TANK, TSX

UNCONTROLLED DOCUMENT IF PRINTED

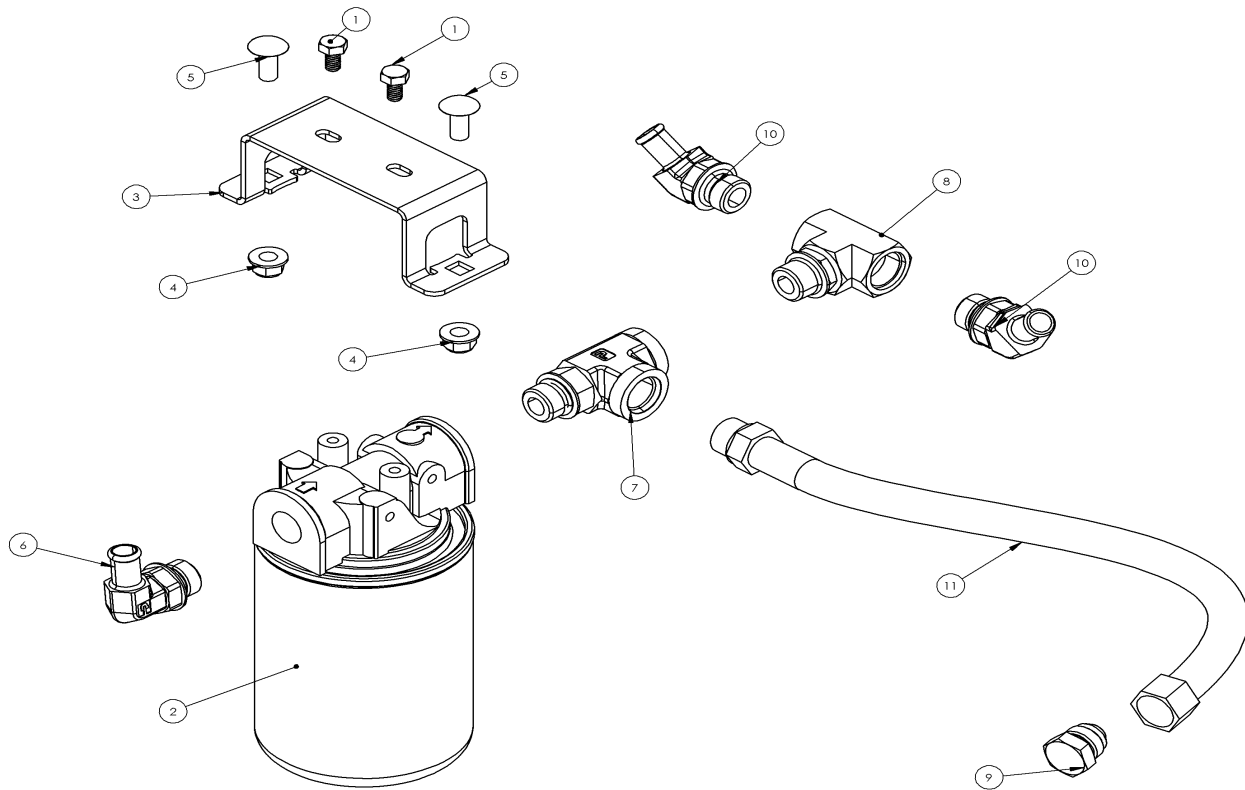


TITLE:	Asm, Hyd Tank, Stander TRX
PART NO.:	2001339

Ref#	Part#	Description	Qty
1	1201015	WELD,HYDRAULIC TANK,TSX	1
2	5000706	FIT,HYDR,8 ORB M X 1/2" BARB,90°ELBOW	1
3	5000712	FIT,HYDR,6 ORB M X 3/8" BARB,90°ELBOW	2
4	5000724	BREATHER CAP,3/4"NPT	1
5	5000725	SIGHT GLASS W/ INDICATOR BALL,1/2"NPT	1

2001347, ASM, HYDRAULIC FILTER/FITTINGS, TSX

UNCONTROLLED DOCUMENT IF PRINTED

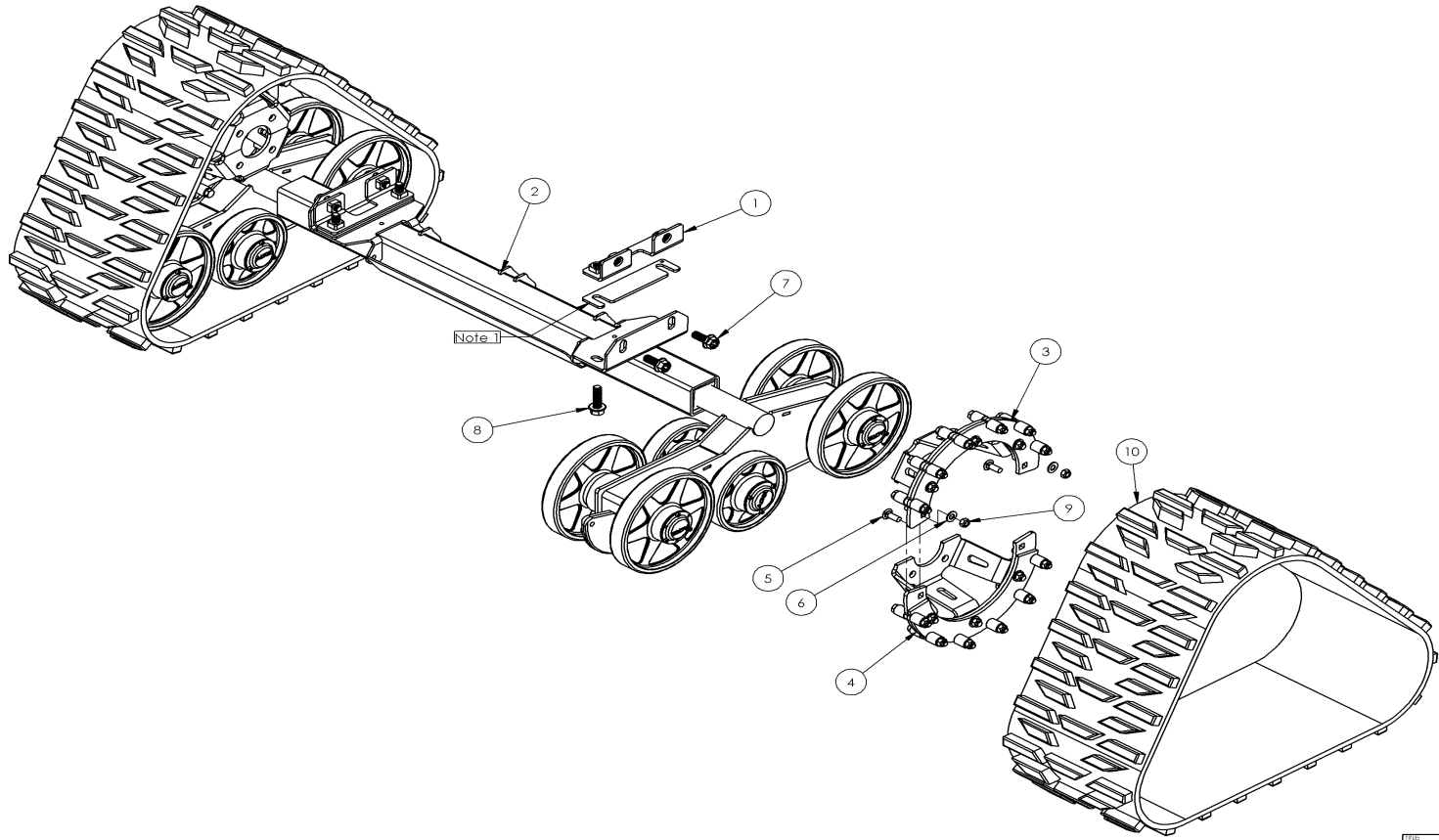


TITLE:	Asm, Hyd Filter and Ffts, TSX
PART NO.:	2001347

Ref#	Part#	Description	Qty
1	5082	SCREW	2
2	2900641	HEAD/FILTER,HYDRAULIC,1"-12 STUD,SAE 8	1
3	3106278	MNT BRKT,HYDR FILTER HEAD,12GA,TSX	1
4	5000157	NUT	2
5	5000196	BOLT	2
6	5000706	FIT,HYDR,8 ORB M X 1/2" BARB,90°ELBOW	1
7	5000708	FIT,HYDR,8 ORB,M X F X F,RUN TEE	1
8	5000709	FIT,HYDR,8 ORB,F X M X F,BRANCH TEE	1
9	5000710	FIT,HYDR,8 JIC M,HEX HEAD PLUG	1
10	5000713	FIT,HYDR,8 ORB M X 1/2" BARB,45°ELBOW	2
11	5700098	HOSE,HYDR DRAIN,8 JIC F X 8 ORB M,14"	1

9990760, SYS,TRACK,CARTRIDGE,TSX561 EFI,2021

UNCONTROLLED DOCUMENT IF PRINTED

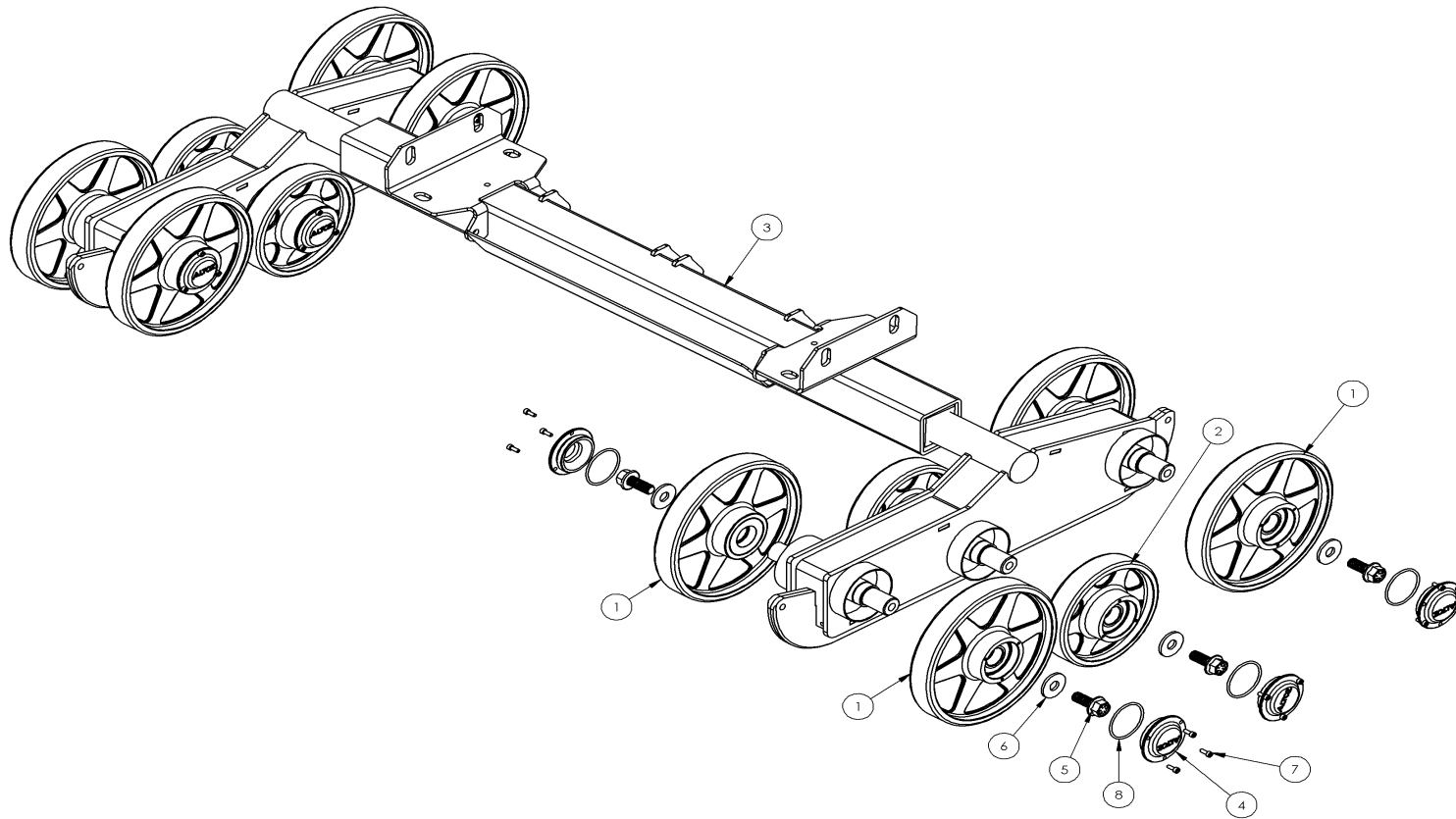


TITLE	System, Track, Cartridge, TSX
PART NO.	9990760

Ref#	Part#	Description	Qty
1	1201014	WELD,TRACK MNT NUT BAR,TSX	2
2	2001332	ASM,TORSION AXLE/IDLERS,CARTRIDGE,TSX	1
3	2001333	ASM,DRIVE WHEEL,OUTER,12P,TSX	2
4	2001334	ASM,DRIVE WHEEL,INNER,12P,TSX	2
5	5000146	BOLT	4
6	5000174	WASHER	4
7	5000243	BOLT	4
8	5000588	BOLT	4
9	5000634	NUT,3/8"-16,TOP LOCK,GR B,ZY/WAX	4
10	5500055	TRACK,ALTOZ,11" WIDEx23 PITCH,AT TREAD	2

2001332, ASM,TORSION AXLE/IDLERS,CARTRIDGE,TSX

UNCONTROLLED DOCUMENT IF PRINTED

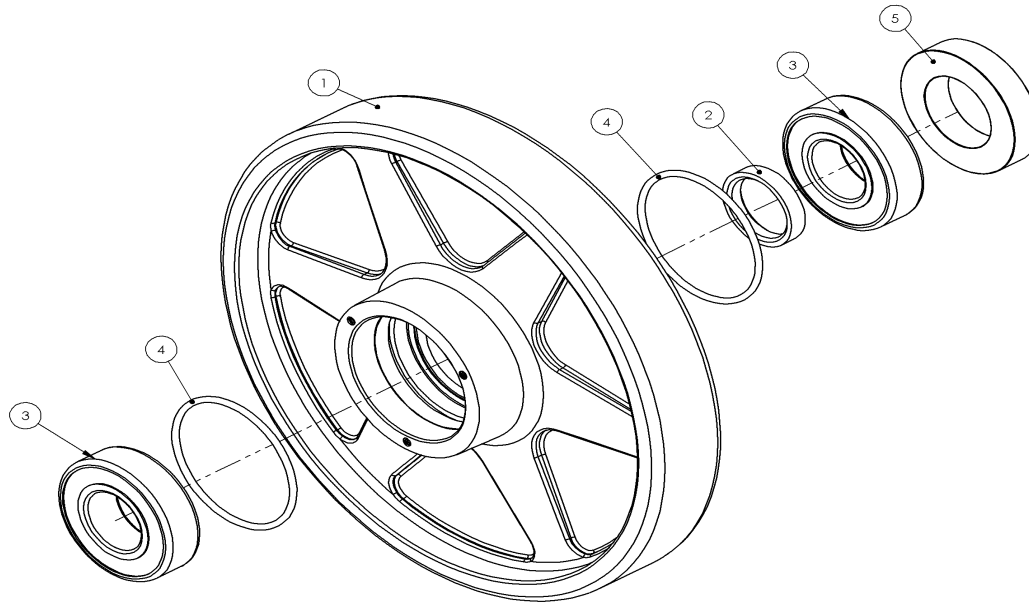


TITLE	Assem, Cartridge, Torsion Axle/Idlers, TSX
PART NO.	2001332

Ref#	Part#	Description	Qty
1	2001077	ASM,CAST IDLER WHEEL,OUTER,8",TRX354/561	8
2	2001173	ASM,CAST IDLER WHEEL,OUTER,6",TRX561/766	4
3	2001331	ASM,TORSION AXLE/TUBE,CARTRIDGE,TSX	1
4	3104121	HUB CAP,TRACK WHEEL,TRX	12
5	5000243	BOLT	12
6	5000261	WASHER	12
7	5000567	SCREW	36
8	5000577	O-RING,SIZE-134,BUNA-N	12

2001077, ASM,CAST IDLER WHEEL,OUTER,8",TRX354/561

UNCONTROLLED DOCUMENT IF PRINTED

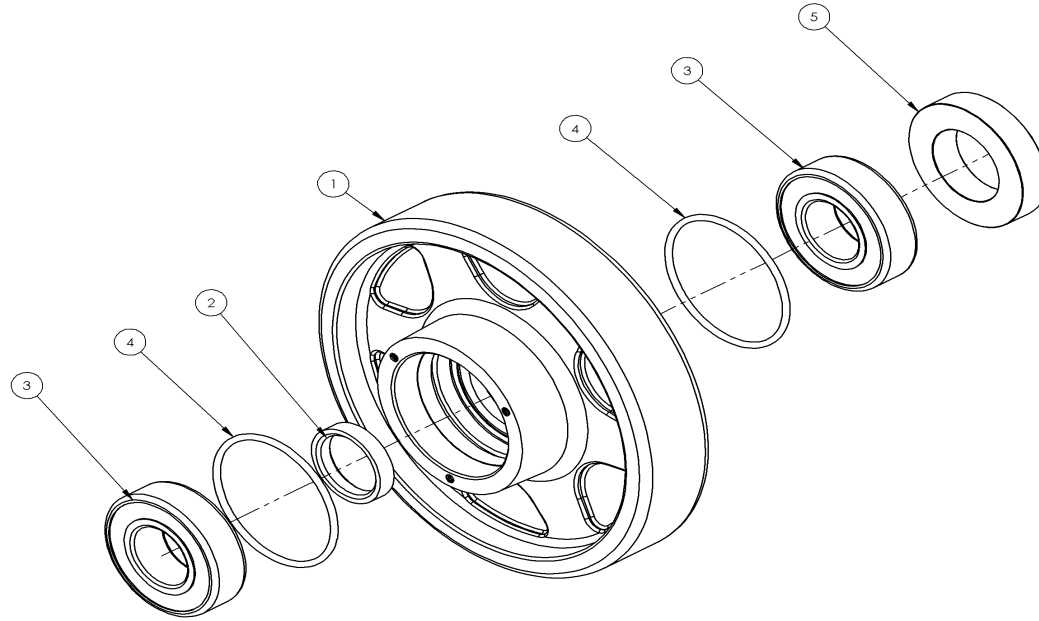


TITLE:	Assem, Cast Idler Wheel, Outer, 8 in
PART NO.:	2001077

Ref#	Part#	Description	Qty
1	1500020	WHEEL,CAST IRON,BLK,8"OD,TRX354/561	1
2	3104112	BEARING SPACER,TRACK WHEEL,TRX,PL	1
3	5000558	BEARING,BALL,6205-2RSCT,25MM ID,TRX	2
4	5000674	O-RING,SIZE-137,BUNA-N	0
5	6000040	SEAL,TRACK WHEEL,TRX	1

2001173, ASM,CAST IDLER WHEEL,OUTER,6",TRX561/766

UNCONTROLLED DOCUMENT IF PRINTED

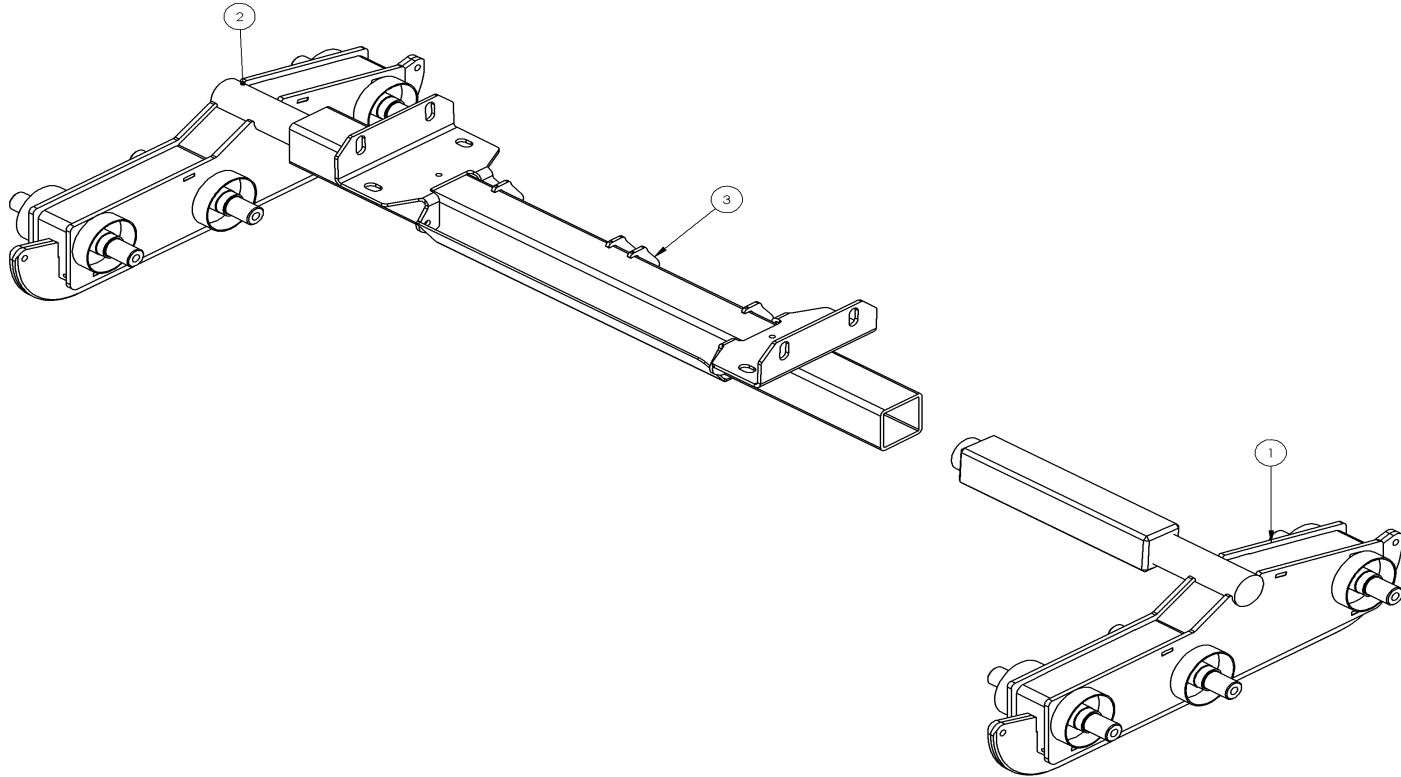


TITLE:	Assem, Cast Idler Wheel, Outer, 6 in
PART NO.:	2001173

Ref#	Part#	Description	Qty
1	1500021	WHEEL,CAST IRON,BLK,6"OD,TRX561/766	1
2	3104112	BEARING SPACER,TRACK WHEEL,TRX,PL	1
3	5000558	BEARING,BALL,6205-2RSCT,25MM ID,TRX	2
4	5000674	O-RING,SIZE-137,BUNA-N	0
5	6000040	SEAL,TRACK WHEEL,TRX	1

2001331, ASM, TORSION AXLE/TUBE, CARTRIDGE, TSX

UNCONTROLLED DOCUMENT IF PRINTED

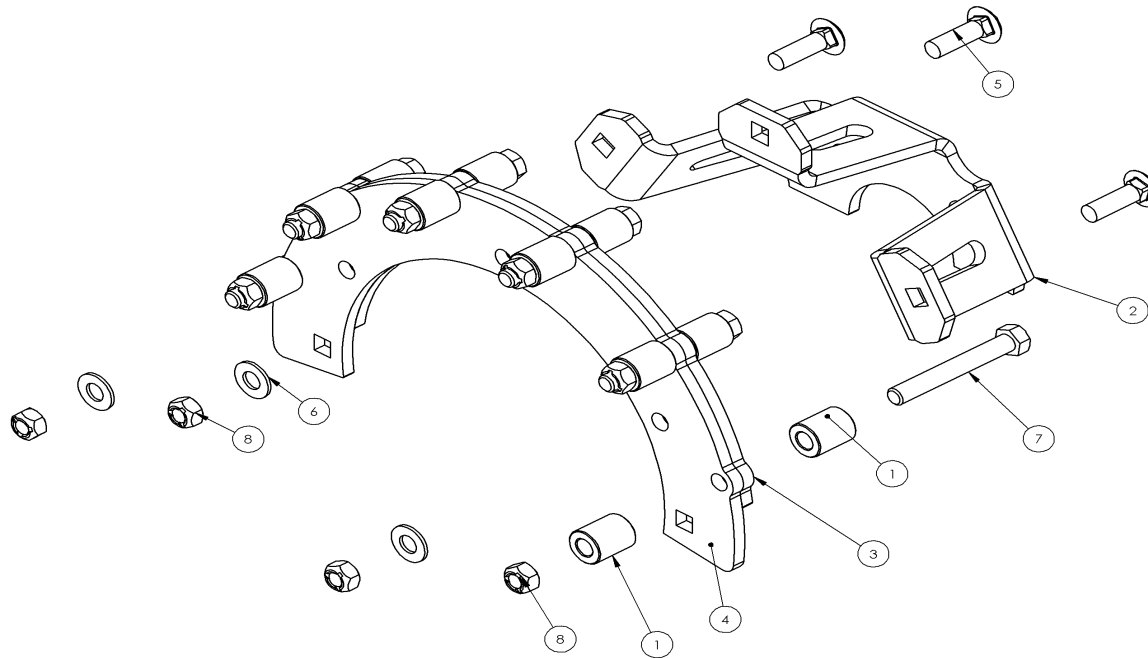


TITLE:	ASM, TORSION AXLE/TUBE, CARTRIDGE, TSX
PART NO.:	2001331

Ref#	Part#	Description	Qty
1	1201011	WELD,WALKING BEAM,LH,TSX	1
2	1201012	WELD,WALKING BEAM,RH,TSX	1
3	1201013	WELD,CROSS TUBE,TSX	1

2001333, ASM,DRIVE WHEEL,OUTER,12P,TSX

UNCONTROLLED DOCUMENT IF PRINTED

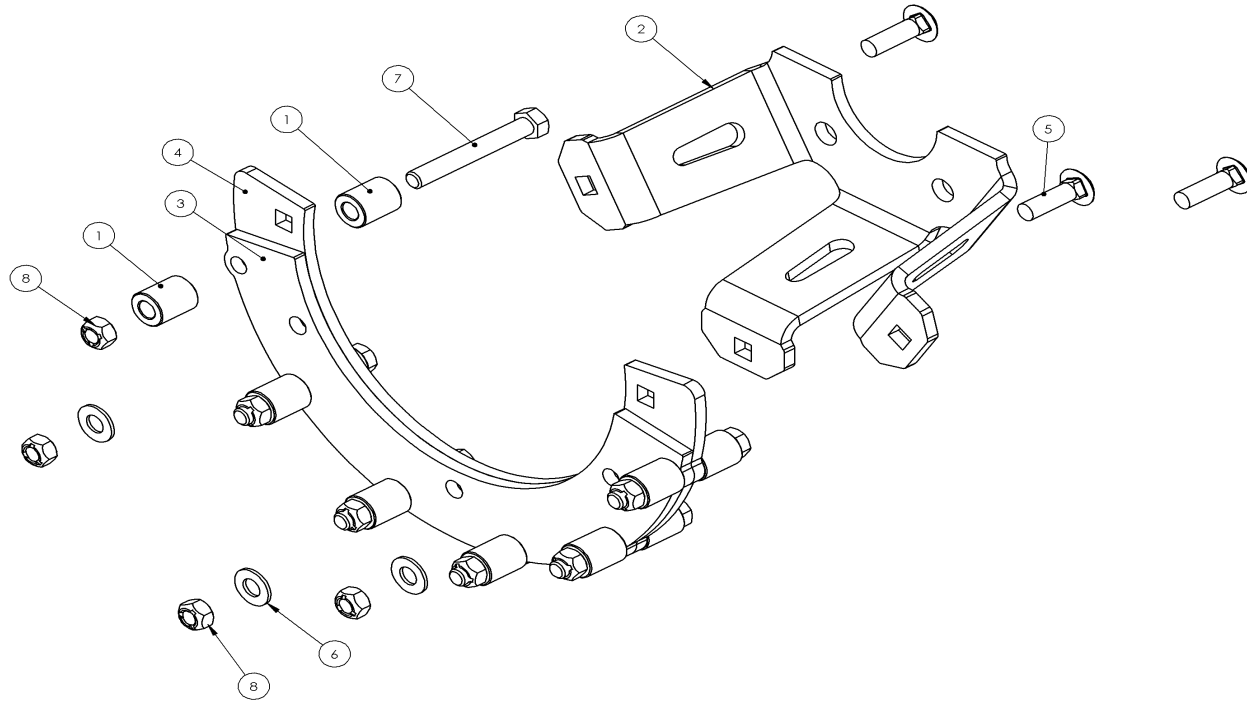


TITLE	Drive Wheel, Outer, 12 Pitch, TSX
PART NO.	2001333

Ref#	Part#	Description	Qty
1	3105028	BUSHING,DRIVE WHEEL,.75"ODX.89",ZY,TRX	12
2	3106266	CENTER HUB,DRIVE WHEEL,12P,.25",TSX	1
3	3106267	SMALL RING,DRIVE WHEEL,12P,.25",TSX	1
4	3106268	LARGE RING,DRIVE WHEEL,12P,.25",TSX	1
5	5000147	BOLT	3
6	5000174	WASHER	3
7	5000564	SCREW	6
8	5000634	NUT,3/8"-16,TOP LOCK,GR B,ZY/WAX	9

2001334, ASM,DRIVE WHEEL,INNER,12P,TSX

UNCONTROLLED DOCUMENT IF PRINTED



TITLE	Drive Wheel, Inner, 12 Pitch, TSX
PART NO.	2001334

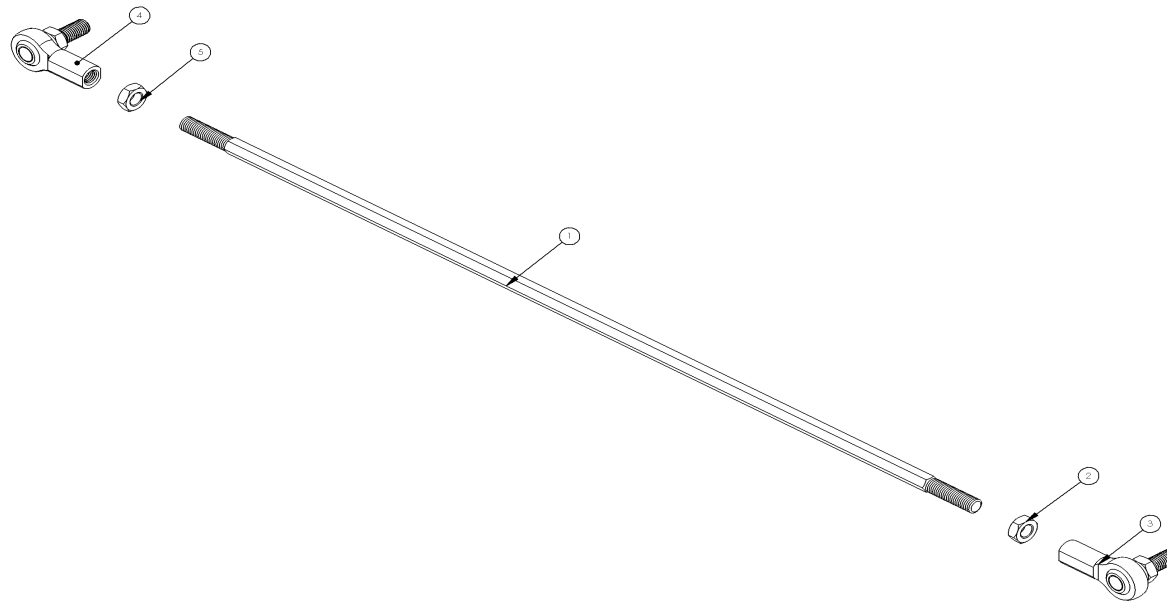
Ref#	Part#	Description	Qty
1	3105028	BUSHING,DRIVE WHEEL,.75"ODX.89",ZY,TRX	12
2	3106266	CENTER HUB,DRIVE WHEEL,12P,.25",TSX	1
3	3106267	SMALL RING,DRIVE WHEEL,12P,.25",TSX	1
4	3106268	LARGE RING,DRIVE WHEEL,12P,.25",TSX	1
5	5000147	BOLT	3
6	5000174	WASHER	3
7	5000564	SCREW	6
8	5000634	NUT,3/8"-16,TOP LOCK,GR B,ZY/WAX	9

Ref#	Part#	Description	Qty
1	5648	NUT	2
2	5726	SCREW	1
3	7787	NUT	4
4	1200996	WELD,REAR STEERING STOP,TSX	1
5	1200997	WELD,BRAKE SHAFT,UPPER,TSX	1
6	1201000	WELD,FRONT STEERING STOP,TSX	1
7	1201019	WELD,BRAKE SHAFT,LOWER,TSX	1
8	1201030	WELD,ADJ BRAKE COG,LH,TSX	1
9	1201031	WELD,ADJ BRAKE COG,RH,TSX	1
10	2001321	ASM,STEERING CONTROL ROD,TSX	2
11	2001322	ASM,STEERING CONTROL LEVER,RH,TSX	1
12	2001323	ASM,STEERING CONTROL LEVER,LH,TSX	1
13	2001343	ASM,FOAM LEG PAD,TSX	1
14	3102041	BUSHING,FLANGE,.375"IDX.563"ODX.375",ZY	1
15	3106185	BRAKE SHAFT CONNECTING LINK,.25",TSX	1
16	3106188	STEERING CONSOLE TOP,10GA,TSX	1
17	3106191	SPACER WASHER,STEERING ASM,.25",TSX	2
18	3106192	SPACER,ADJ STEER STOP,.5"ODX.225",ZY	2
19	3106417	BRAKE SPROCKET,7GA,TSX	4
20	5000131	BOLT	2
21	5000146	BOLT	4
22	5000154	BOLT	4
23	5000157	NUT	7
24	5000158	NUT	4
25	5000159	NUT	9
26	5000161	NUT	2

27	5000185	BOLT	1
28	5000196	BOLT	7
29	5000227	PIN	1
30	5000274	NUT	1
31	5000316	SPRING	1
32	5000358	KNOB,FIVE LOBE,5/16"-18X1" STUD,BLK	2
33	5000447	BOLT	2
34	5500007	BUMPER	1
35	5500025	GRIP,BRK/2SPD HNDL,BLK,1"X4-11/16"(6/PK)	1

2001321, ASM,STEERING CONTROL ROD,TSX

UNCONTROLLED DOCUMENT IF PRINTED

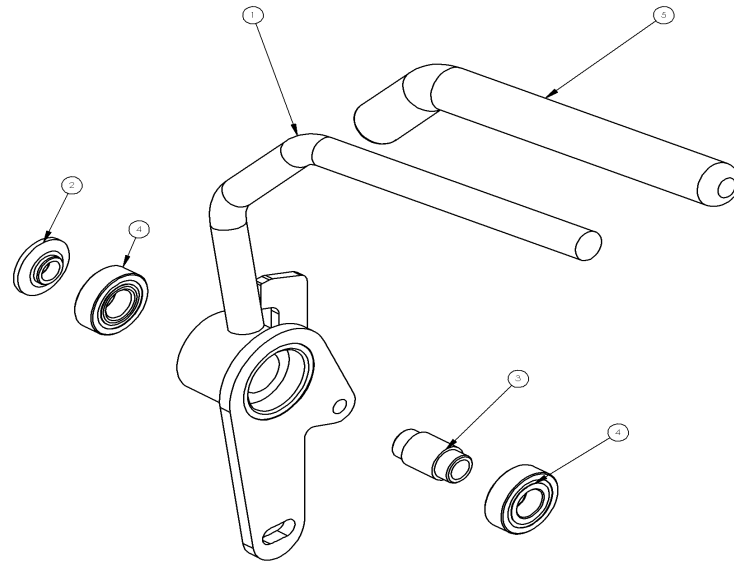


TITLE:	Assem, Steering Linkage Turnbuckle, TSX
PART NO.:	2001321

Ref#	Part#	Description	Qty
1	3106195	CONTROL ROD,STEER,HEX,5/16"-24,19.125,ZY	1
2	5000166	NUT	1
3	5000715	MARI	1
4	5000716	ROD END,FEMALE,W/STUD,5/16"-24 LH,ZY	1
5	5000717	NUT,5/16"-24,HEX JAM,LH,ZC	1

2001322, ASM,STEERING CONTROL LEVER,RH,TSX

UNCONTROLLED DOCUMENT IF PRINTED

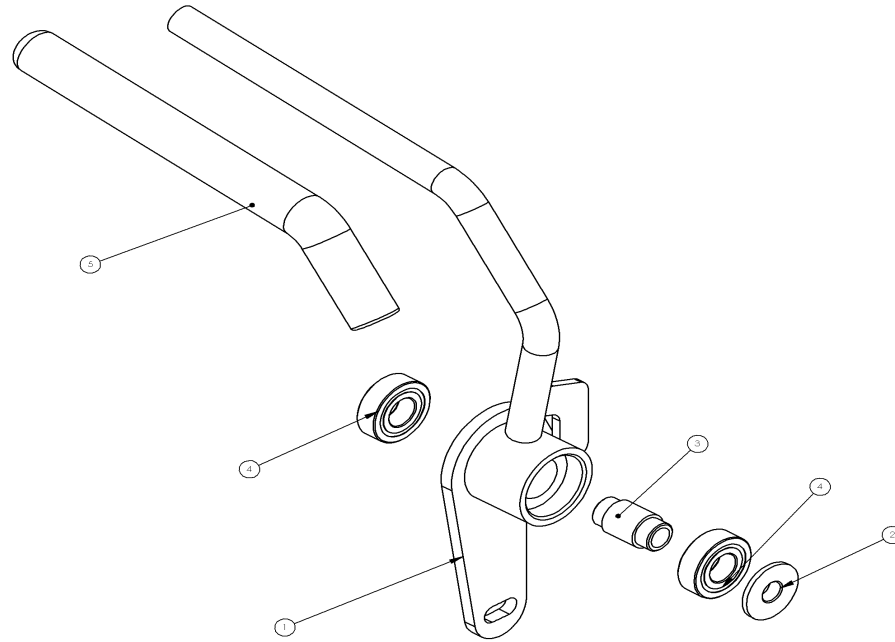


TITLE:	Asm, Steering Lever, RH, TSX
PART NO.:	2001322

Ref#	Part#	Description	Qty
1	1200994	WELD,STEERING ARM LEVER,RH,TSX	1
2	3100502	LOWER SPACER	1
3	3100503	SLEEVE	1
4	5000082	BEARING	2
5	5500058	STEERING GRIP,FOAM,1/2"ID,BLK,TSX	1

2001323, ASM,STEERING CONTROL LEVER,LH,TSX

UNCONTROLLED DOCUMENT IF PRINTED

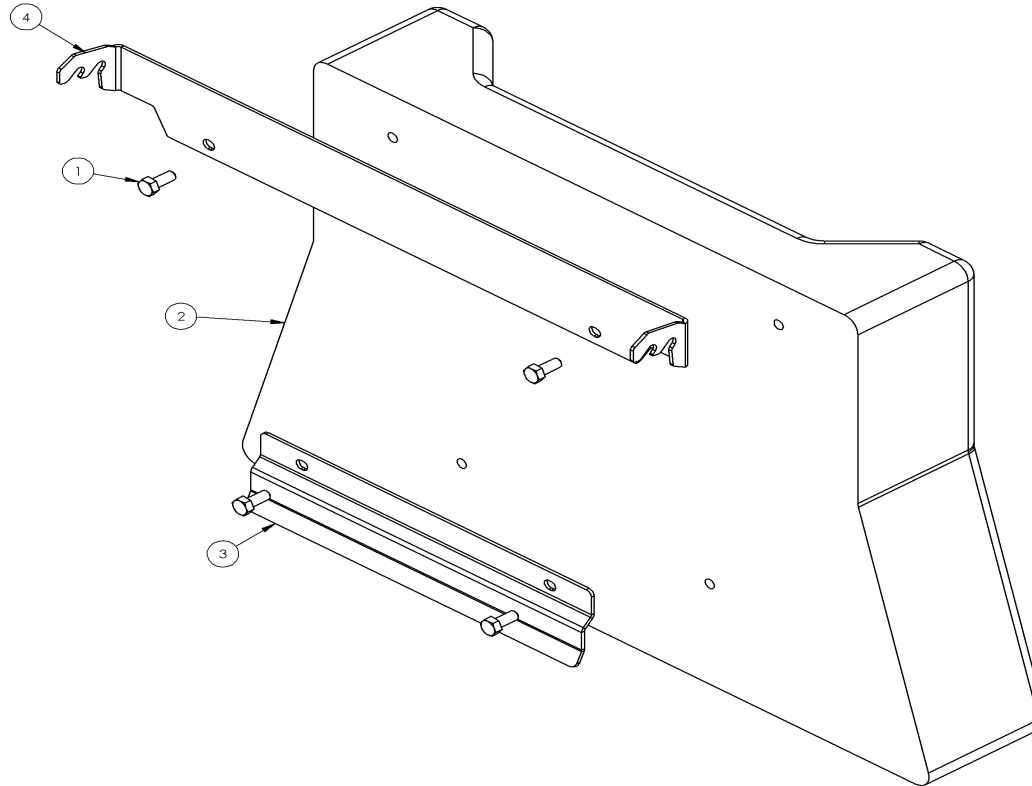


TITLE:	Asm, Steering Lever, LH, TSX
PART NO.:	2001323

Ref#	Part#	Description	Qty
1	1200995	WELD,STEERING ARM LEVER,LH,TSX	1
2	3100502	LOWER SPACER	1
3	3100503	SLEEVE	1
4	5000082	BEARING	2
5	5500058	STEERING GRIP,FOAM,1/2"ID,BLK,TSX	1

2001343, ASM,FOAM LEG PAD,TSX

UNCONTROLLED DOCUMENT IF PRINTED

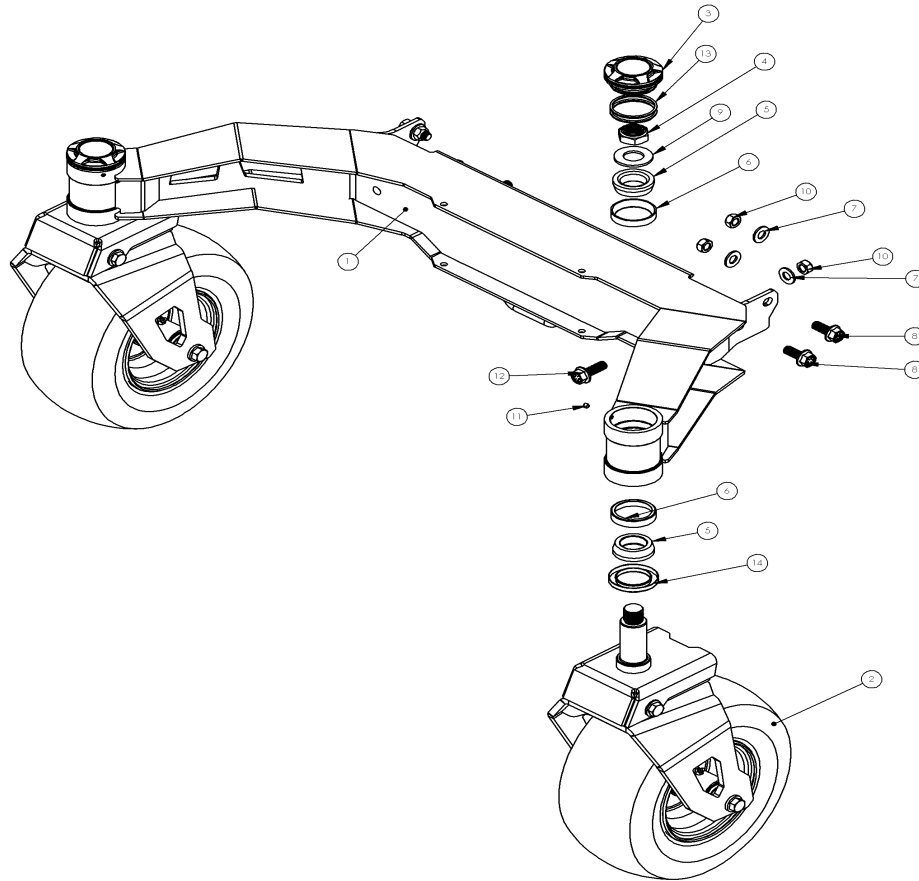


TITLE:	Asm, Foam Pad, Stander TRX
PART NO.:	2001343

Ref#	Part#	Description	Qty
1	5425	SCREW	4
2	2900643	LEG PAD,FOAM,TSX	1
3	3106324	MTG BRKT,LOWER,FOAM PAD,12GA,TSX	1
4	3106325	MTG BRKT,UPPER,FOAM PAD,12GA,TSX	1

9990762, SYS,FRONT AXLE,TSX/XHPD,2021

UNCONTROLLED DOCUMENT IF PRINTED

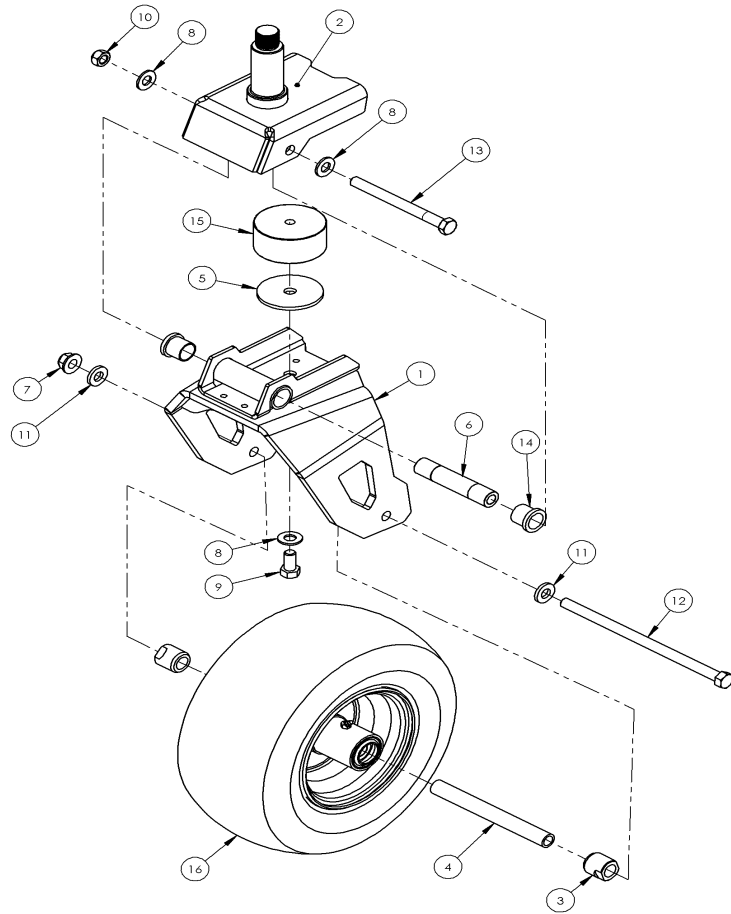


TITLE:	System, Front Axle, TSX/XPHD
PART NO.:	9990762

Ref#	Part#	Description	Qty
1	1201004	WELD,FRONT AXLE,TRQFLX,TSX	1
2	2001099	ASM,FRONT AXLE FORK,TRQFLX,TRX561/TSX	2
3	3101236	CAP,FRONT SPINDLE,FORGED,3"ODX1.25"	2
4	5000057	NUT	2
5	5000108	BEARING	4
6	5000109	CUP	4
7	5000176	WASHER	6
8	5000243	BOLT	4
9	5000309	WASHER	2
10	5000584	NUT	6
11	5000587	SCREW	2
12	5000653	BOLT,1/2"-13X1-1/2",FLANGED HH,GR8,ZY	2
13	5000665	O-RING,SIZE-226,BUNA-N,60 DURO	4
14	6000039	SEAL,DBL LIP,W/SPRING,2.56OD,1.75IDX.313	2

2001099, ASM,FRONT AXLE FORK,TRQFLX,TRX561/TSX

UNCONTROLLED DOCUMENT IF PRINTED

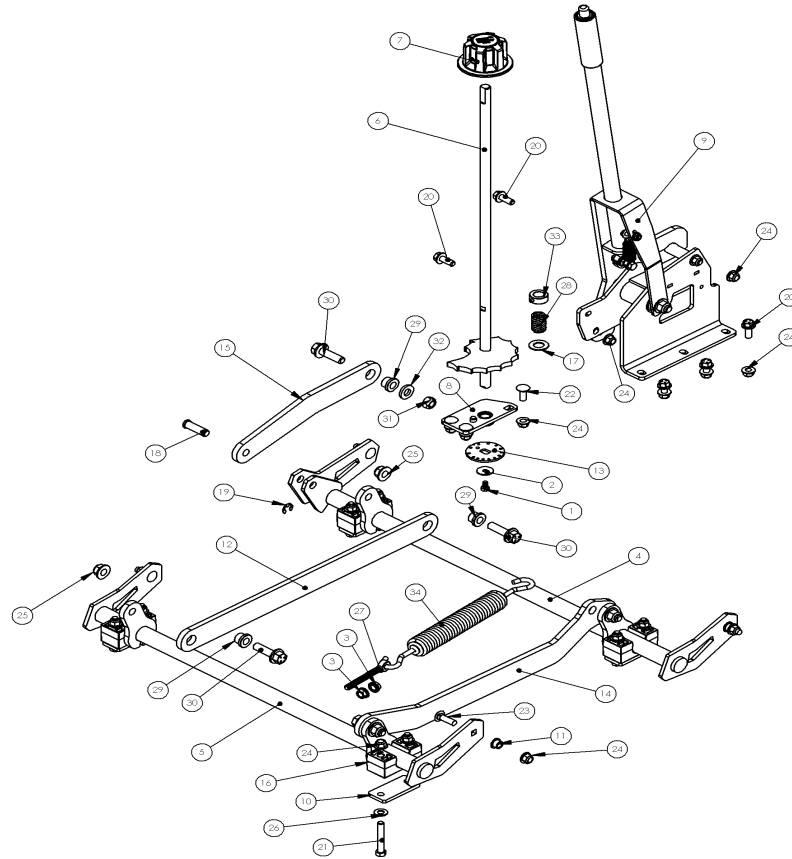


TITLE:	ASM, FRONT AXLE FORK, TORQFLEX
PART NO.:	2001099

Ref#	Part#	Description	Qty
1	1200075	WELD,FORK,FRONT AXLE,XCZ/TRX561	1
2	1200082	WELD,SPINDLE,FRT AXL FORK,XCZ/TRX	1
3	3100538	SPACER	2
4	3100539	SLEEVE	1
5	3102829	SHIM,FRONT AXLE,7GA,XC/TRX	1
6	3104275	SHAFT,PIVOT AXLE,.871"ODX.50"ID,ZY	1
7	5000162	NUT	1
8	5000176	WASHER	3
9	5000411	SCREW	1
10	5000584	NUT	1
11	5000614	WASHER,1/2",.531IDX1.062ODX.156,HARD,ZY	2
12	5000615	SCREW,1/2"-13X9-1/2",HHCS,GR5,ZY	1
13	5000631	SCREW,1/2"-13X5-1/2",HHCS,GR8,ZY	1
14	5000632	BUSHING,FLANGE,.875"IDX1"ODX1",BRZ	2
15	5500003	SHOCK ABSORBER	1
16	6100059	WHEEL,FRONT,13/6.5X6,SMATIC,TPRD BRG,BC	1

9990763, SYS,DECK LIFT,TSX561 EFI,2021

UNCONTROLLED DOCUMENT IF PRINTED



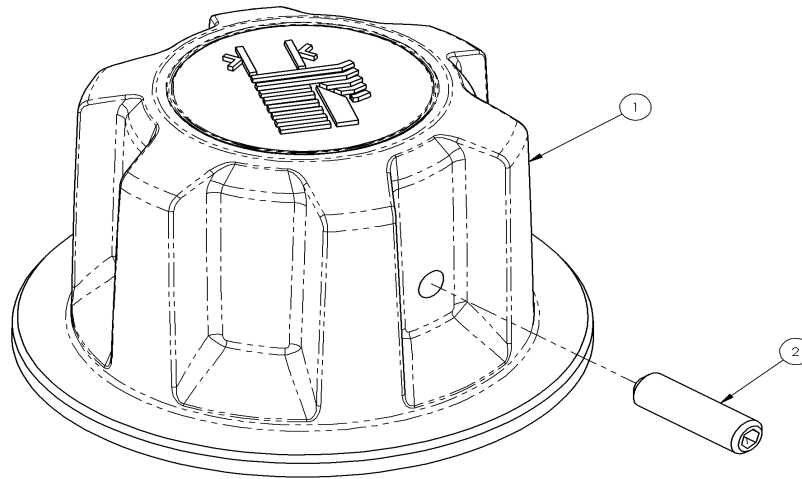
TITLE:	Deck Lift System, TSX
PART NO.:	9990763

Ref#	Part#	Description	Qty
1	5082	SCREW	1
2	5083	WASHER	1
3	7787	NUT	2
4	1200991	WELD,REAR JACKSHAFT,DECK,TSX	1
5	1200992	WELD,FRONT JACKSHAFT,DECK,TSX	1
6	1201002	WELD,HOC SHAFT/CAM,TSX	1
7	2000771	ASM,ADJMNT KNOB,DECK HEIGHT,XC/XPHD/TRX	1
8	2001320	ASM,ADJ BASE PLATE,HOC SHAFT,TSX	1
9	2001325	ASM,DECK LIFT HANDLE,TSX	1
10	3100723	PLATE,BUSHING,MD JS,.25",XC/XPHD/TRX	4
11	3102041	BUSHING,FLANGE,.375"IDX.563"ODX.375",ZY	4
12	3106199	CONNECT LINKAGE,JACKSHAFT,RH,.375",TSX	1
13	3106221	TIMING PLATE,SLOTS,HOC,10GA,TSX	1
14	3106276	CONNECT LINKAGE,JACKSHAFT,LH,.375",TSX	1
15	3106277	CONNECT LINK,DECK LIFT HANDLE,.375",TSX	1
16	4000114	SNAP MOUNT,JACKSHAFT,MOLDED	4
17	5000055	WASHER	1
18	5000097	CLEVIS PIN	1
19	5000102	E-RING	1
20	5000130	BOLT	5
21	5000136	SCREW	8
22	5000146	BOLT	3
23	5000147	BOLT	4
24	5000159	NUT	20
25	5000162	NUT	4
26	5000174	WASHER	8

27	5000230	ROD END	1
28	5000339	SPRING	1
29	5000474	BUSHING,FLANGE,.5"IDX.75"ODX.63",ZY	5
30	5000476	BOLT	5
31	5000584	NUT	1
32	5000614	WASHER,1/2",.531IDX1.062ODX.156,HARD,ZY	1
33	5000685	COLLAR,SHAFT,W/SET SCREW,16MM ID,ZC	1
34	5000733	SPRING,CON,EXT,.25"W X1.625"ODX13.125,ZY	1

2000771, ASM,ADJMNT KNOB,DECK HEIGHT,XC/XPHD/TRX

UNCONTROLLED DOCUMENT IF PRINTED

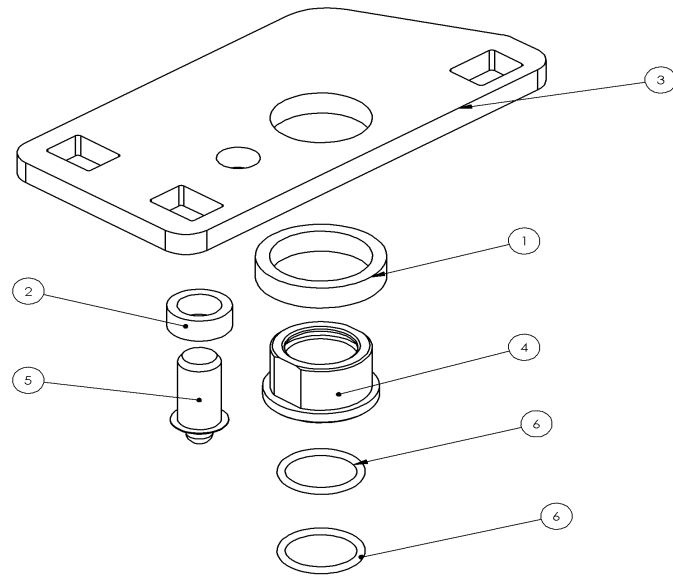


TITLE:	ASSY,KNOB, ADJUSTMENT,DECK HEIGHT
PART NO.:	2000771

Ref#	Part#	Description	Qty
1	4000105	KNOB,ADJUSTMENT,DECK HEIGHT,MACHINED	1
2	5000684	SCREW,1/4"-20X7/8",HEX SET-CUP PT,SS	1

2001320, ASM,ADJ BASE PLATE,HOC SHAFT,TSX

UNCONTROLLED DOCUMENT IF PRINTED

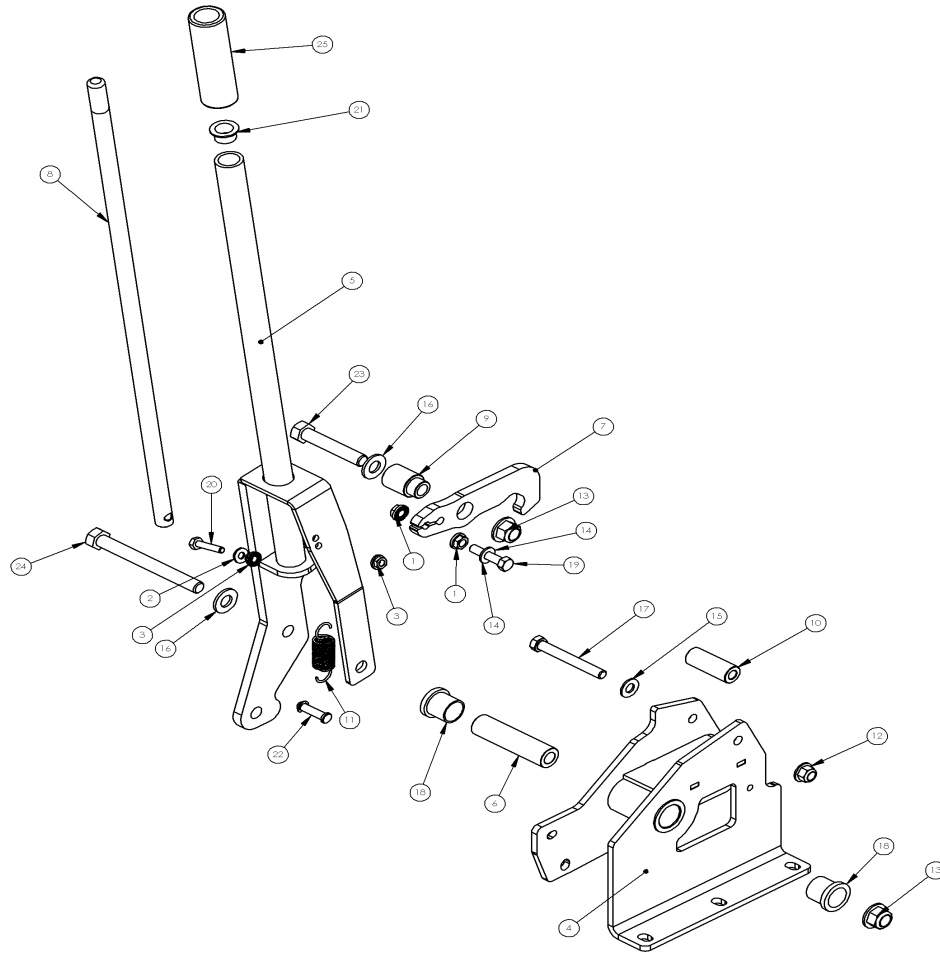


TITLE:	Asm, Adj Base Plate, HOC Shaft, TSX
PART NO.:	2001320

Ref#	Part#	Description	Qty
1	3104035	SPACER,SEAL-BUSHING,LIFT,.25",XPHD/TRX	1
2	3104036	SPACER,SPRING PLUNGER,LIFT,.25",XPHD/TRX	1
3	3106208	BASE PLATE,HOC SHAFT,.25",TSX	1
4	4000083	BUSHING,FLANGE,O-RING,.63IDX.875ODX.625"	1
5	5000184	SPRING PLUNGER	1
6	5000434	O-RING,SIZE-016,BUNA-N	2

2001325, ASM,DECK LIFT HANDLE,TSX

UNCONTROLLED DOCUMENT IF PRINTED

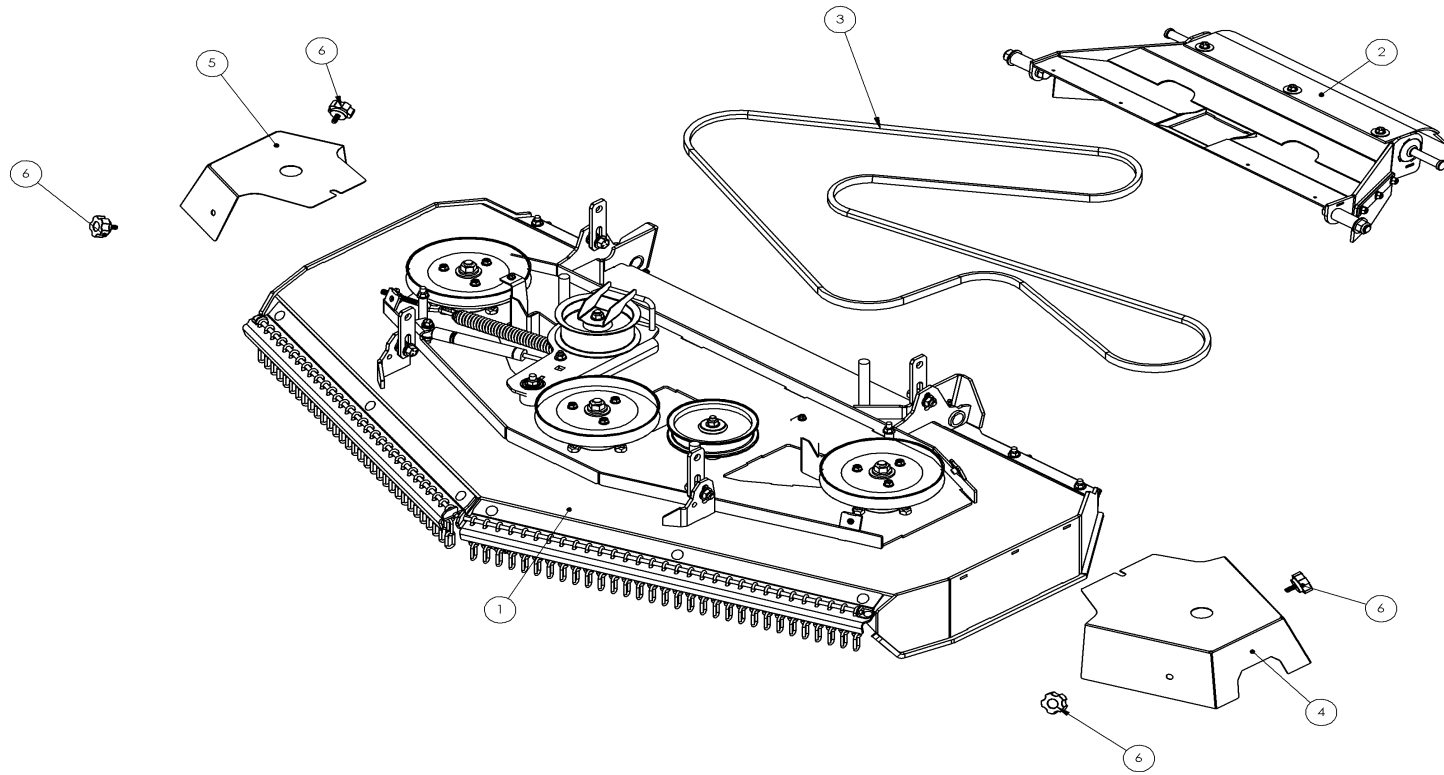


TITLE:	Asm, Deck Lift Handle, TSX
PART NO.:	2001325

Ref#	Part#	Description	Qty
1	5424	NUT	2
2	5647	WASHER	1
3	5648	NUT	2
4	1201007	WELD,DECK RELEASE TOWER,TSX	1
5	1201008	WELD,DECK LIFT HANDLE,TSX	1
6	3106218	BOLT SLEEVE,HOC PIVOT,.5"IDX3.343",ZY	1
7	3106288	CATCH PLATE,DECK LIFT HANDLE,.375",TSX	1
8	3106289	SHAFT,DECK LIFT RELEASE,.625ODX23.938,ZY	1
9	3106290	STANDOFF,HOC CATCH,1"ODX1.5",ZY	1
10	3106291	BUSHING,DECK CATCH HOOK,.375"IDX1.93",ZY	1
11	5000072	SPRING	1
12	5000159	NUT	1
13	5000162	NUT	2
14	5000173	WASHER	1
15	5000174	WASHER	1
16	5000176	WASHER	2
17	5000495	SCREW	1
18	5000632	BUSHING,FLANGE,.875"IDX1"ODX1",BRZ	2
19	5000644	SCREW,5/16"-18X1-1/2",HHCS,FT,ZY	1
20	5000652	SCREW,1/4"-20X1-1/4",HHCS,GR8,ZY	1
21	5000691	BUSHING,STEERING,PLASTIC,3/4"ODX1/2"	1
22	5000720	CLEVIS PIN,W/E-CLIP,5/16"ODX1-1/4"L,ZC	1
23	5000731	SCREW,1/2"-13X2-3/4",HHCS,GR5,ZY	1
24	5000732	SCREW,1/2"-13X4-3/4",HHCS,GR5,ZY	1
25	5500059	FOAM GRIP,7/8"IDX4.5",BLK,MED DENS	1

9990764, SYS,DECK,ALL-TERRAIN,TSX561 EFI,2021

UNCONTROLLED DOCUMENT IF PRINTED

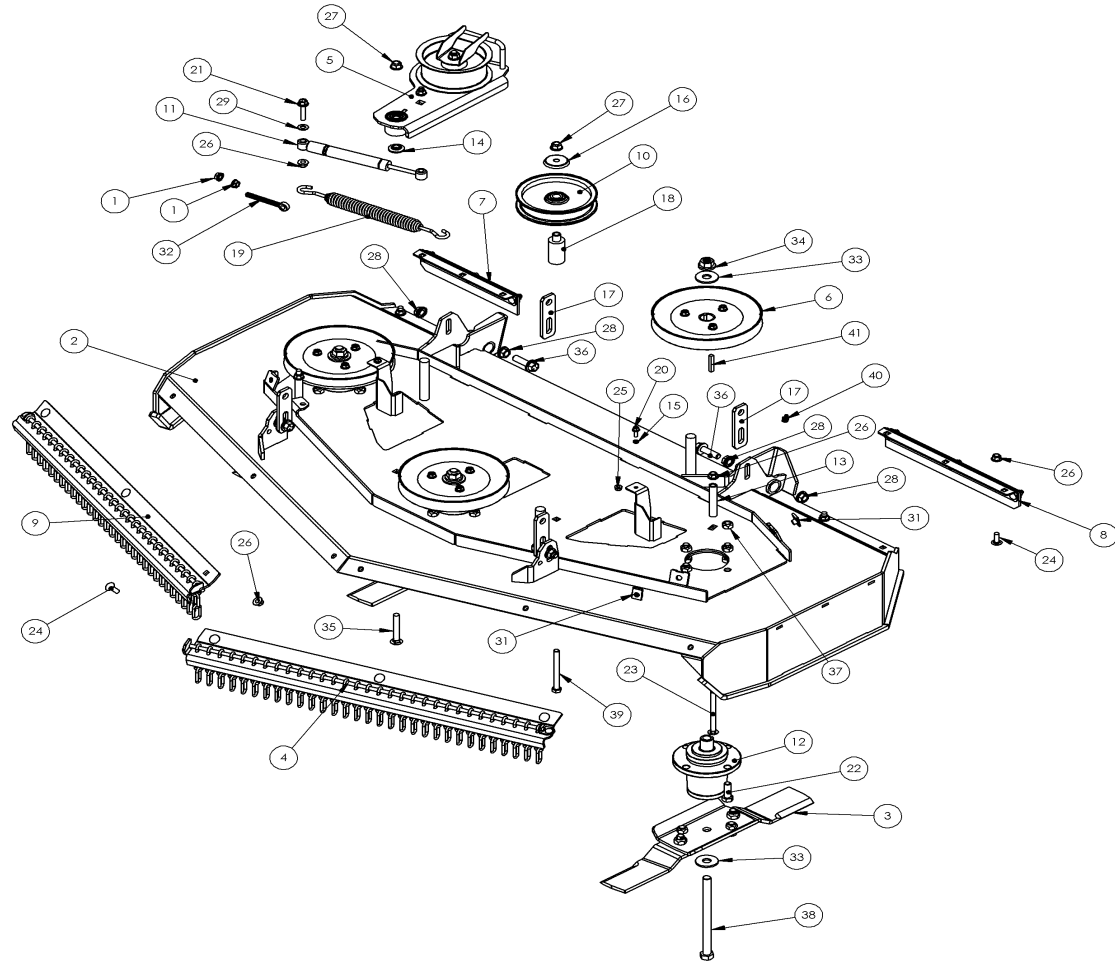


TITLE	Deck, All Terrain, TSX610
PART NO.	9990764

Ref#	Part#	Description	Qty
1	2001317	ASM,MOWER DECK,ALL-TERRAIN,TSX561	1
2	2001330	ASM,DECK STABILIZER PAN,TSX561 AT	1
3	2900514	VBELT,KEVLAR,B SIZE X 154-3/8"	1
4	3106368	DECK COVER,PULLEY,LH,16GA,TSX561 AT	1
5	3106369	DECK COVER,PULLEY,RH,16GA,TSX561 AT	1
6	5000183	KNOB	4

2001317, ASM,MOWER DECK,ALL-TERRAIN,TSX561

UNCONTROLLED DOCUMENT IF PRINTED



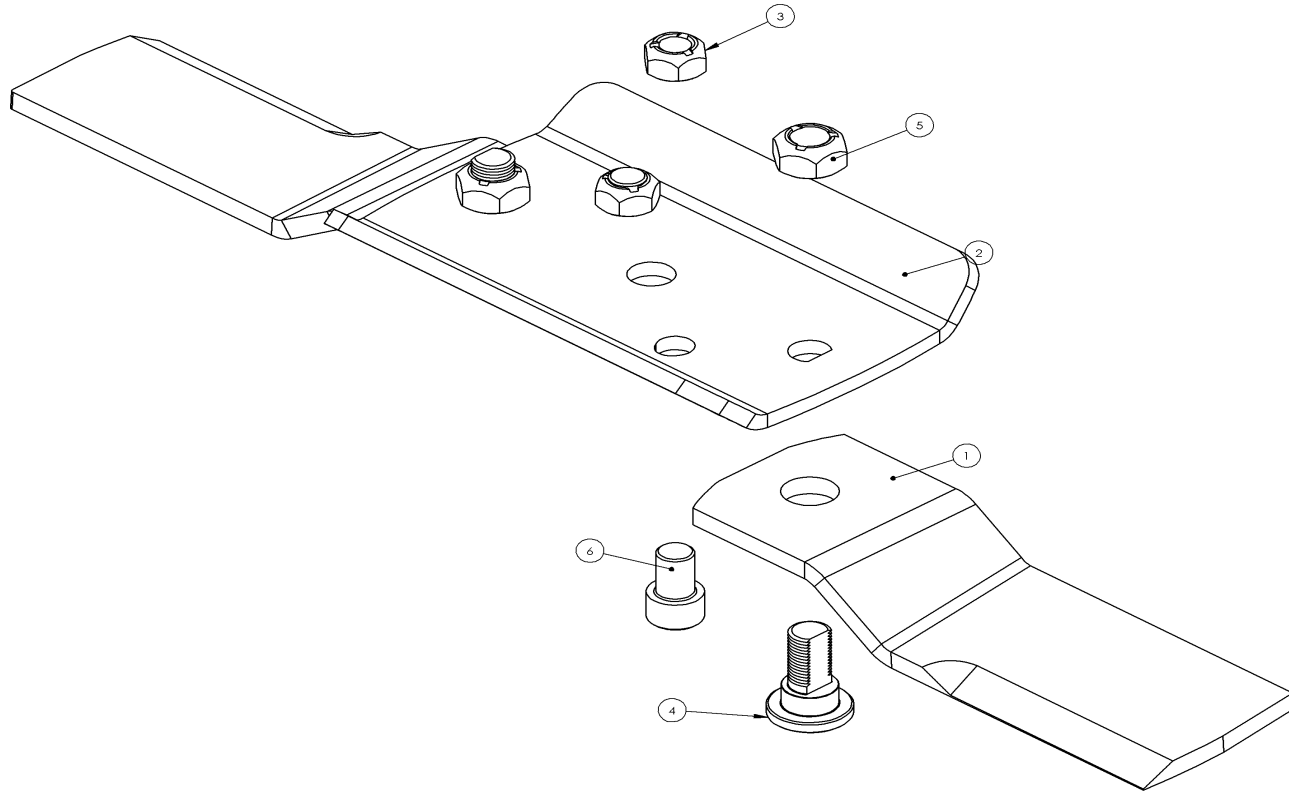
ITEM:	Assem, AT Deck, TSX610
PART NO.:	2001317

Ref#	Part#	Description	Qty
1	7787	NUT	2
2	1201005	WELD,MOWER DECK,ALL-TERRAIN,TSX561	1
3	2000912	ASM,BLADE,ALL TERRAIN DECK,TRX610/TSX561	3
4	2001315	ASM,FRONT CHAIN GUARD,LH,TSX561 AT	1
5	2001316	ASM,DECK TENSIONER,TSX	1
6	2001326	ASM,BOLTED SPINDLE PULLEY,TSX AT	3
7	2001327	ASM,REAR GUARD,RUBBER,RH,TSX561 AT	1
8	2001328	ASM,REAR GUARD,RUBBER,LH,TSX561 AT	1
9	2001329	ASM,FRONT CHAIN GUARD,RH,TSX561 AT	1
10	2900287	PULLEY	1
11	2900470	DAMPER,SROID,200N,88MM STROKE	1
12	2900623	SPINDLE ASM,CLAMP,TRX AT DECK	3
13	3100499	SLEEVE	2
14	3100502	LOWER SPACER	1
15	3100700	SPACER WASHER,DECK COVER,12GA	2
16	3105923	DUST CAP,IDL PULLEY,SGL BRG,20GA,.453"ID	1
17	3106273	LIFT LINK,AT DECK,.25",TSX	4
18	3106274	SPACER SLEEVE,DECK PULLEY,1.25ODX2.98,ZY	1
19	5000077	SPRING	1
20	5000126	BOLT	2
21	5000131	BOLT	1
22	5000142	SCREW	12
23	5000149	BOLT	2
24	5000154	BOLT	12
25	5000156	NUT	2
26	5000159	NUT	15

27	5000161	NUT	2
28	5000164	NUT	8
29	5000174	WASHER	1
30	5000175	WASHER	1
31	5000181	NUT	4
32	5000230	ROD END	1
33	5000262	WASHER	6
34	5000337	NUT	3
35	5000447	BOLT	1
36	5000476	BOLT	4
37	5000584	NUT	12
38	5000650	SCREW,5/8"-18X8-1/2",HHCS,GR5,ZC	3
39	5000693	SCREW,7/16"-14X4-1/4",HHCS,GR8,ZY	1
40	5000734	GREASE FIT,STRAIGHT,1/8"NPT,ZY	2
41	5000759	KEY,SQUARE,.25"X1.75"L,PL	3

2000912, ASM, BLADE, ALL TERRAIN DECK, TRX610/TSX561

UNCONTROLLED DOCUMENT IF PRINTED

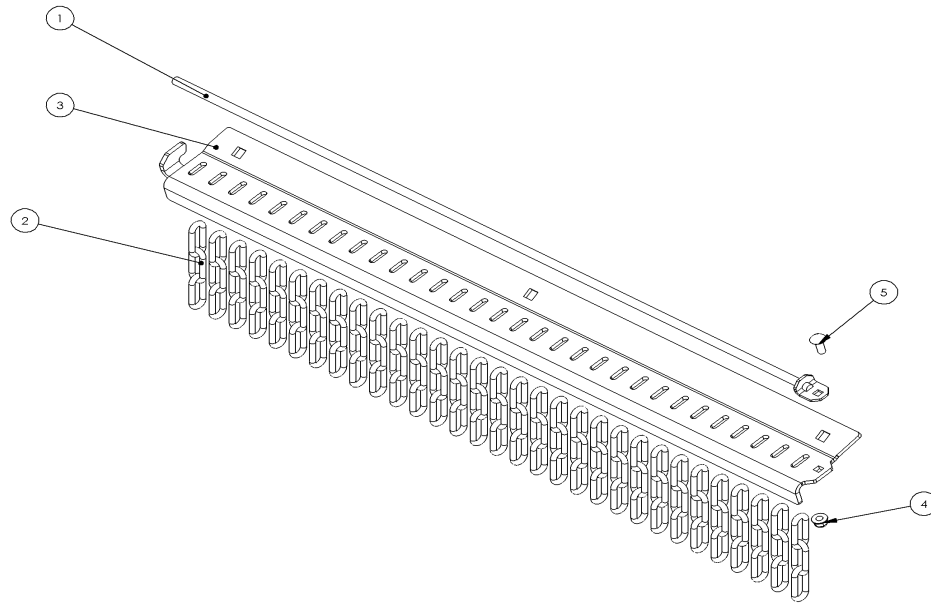


TITLE:	Assem, Blade, Rough Cut, TRX610
PART NO.:	2000912

Ref#	Part#	Description	Qty
1	2900524	BLADE,OFFSET,8.5"X2.75"X.313",TRX/TSX AT	2
2	3104212	HUB,BLADE,.25",TRX610/TSX561 AT	1
3	5000584	NUT	2
4	5000617	BOLT,BLADE,W/FLAT,9/16"-18 UNF,ZY	2
5	5000618	NUT,9/16"-18,TOP LOCK,ZC/WAX	2
6	5000623	SCREW,1/2"-13X3/4",SHCS,BO	2

2001315, ASM,FRONT CHAIN GUARD,LH,TSX561 AT

UNCONTROLLED DOCUMENT IF PRINTED

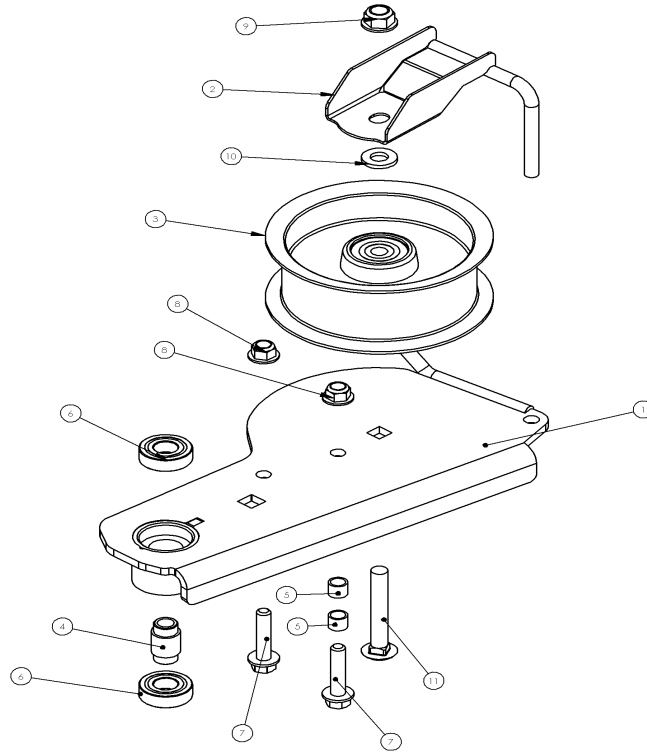


ITEM:	Assem, Front Chain Guard, LH, TSX
PART NO.:	2001315

Ref#	Part#	Description	Qty
1	1200667	WELD,CHAIN KEEPER,TRX/TSX 61 AT	1
2	3104124	CHAIN,3 LINK,STRAIGHT,2/0 ELECTRO GALV	31
3	3106364	MNT,CHAIN GUARD,LH,7GA,TSX561 AT	1
4	5000156	NUT	1
5	5000492	BOLT	1

2001316, ASM,DECK TENSIONER,TSX

UNCONTROLLED DOCUMENT IF PRINTED

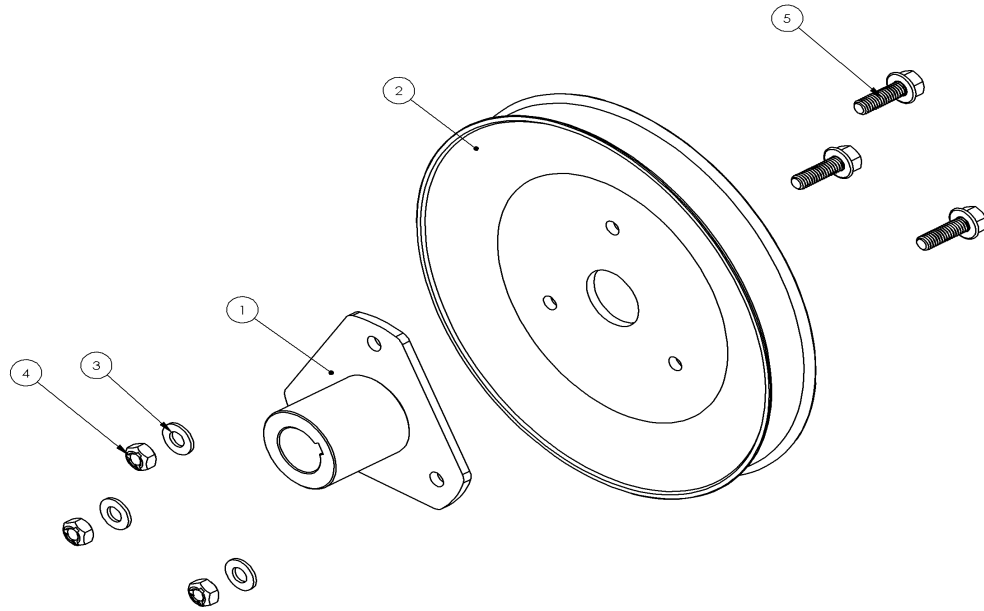


TITLE:	Asm, Deck Tensioner, TSX
PART NO.:	2001316

Ref#	Part#	Description	Qty
1	1201006	WELD,DECK TENSIONER,TSX	1
2	1201026	WELD,TENSIONER GUIDE,UPPER,TSX	1
3	2900523	PULLEY,IDLER,DRIVE,5.85"ODX0.438"IDX2"W	1
4	3100503	SLEEVE	1
5	3100526	SLEEVE	2
6	5000082	BEARING	2
7	5000131	BOLT	2
8	5000159	NUT	2
9	5000161	NUT	1
10	5000364	WASHER	1
11	5000447	BOLT	1

2001326, ASM,BOLTED SPINDLE PULLEY,TSX AT

UNCONTROLLED DOCUMENT IF PRINTED

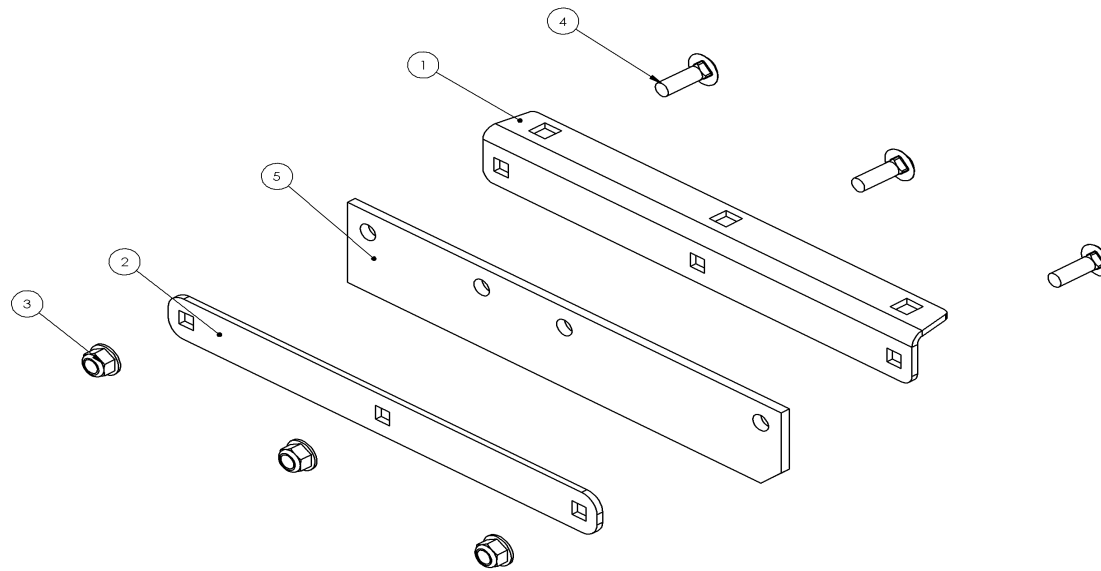


TITLE:	Asm, Bolted Spindle Pulley, AT Deck, TSX
PART NO.:	2001326

Ref#	Part#	Description	Qty
1	1201010	WELD,SPINDLE PULLEY ADAPTER HUB,TSX	1
2	2900484	SPINDLE PULLEY,8.55"OD,BLK,XPHD/TRX 660	1
3	5000173	WASHER	3
4	5000628	NUT,5/16"-18,TOP LOCK,GR B,ZY/WAX	3
5	5000721	SCREW,5/16"-18X1",FLANGED HH,GR8,ZY	3

2001327, ASM,REAR GUARD,RUBBER,RH,TSX561 AT

UNCONTROLLED DOCUMENT IF PRINTED

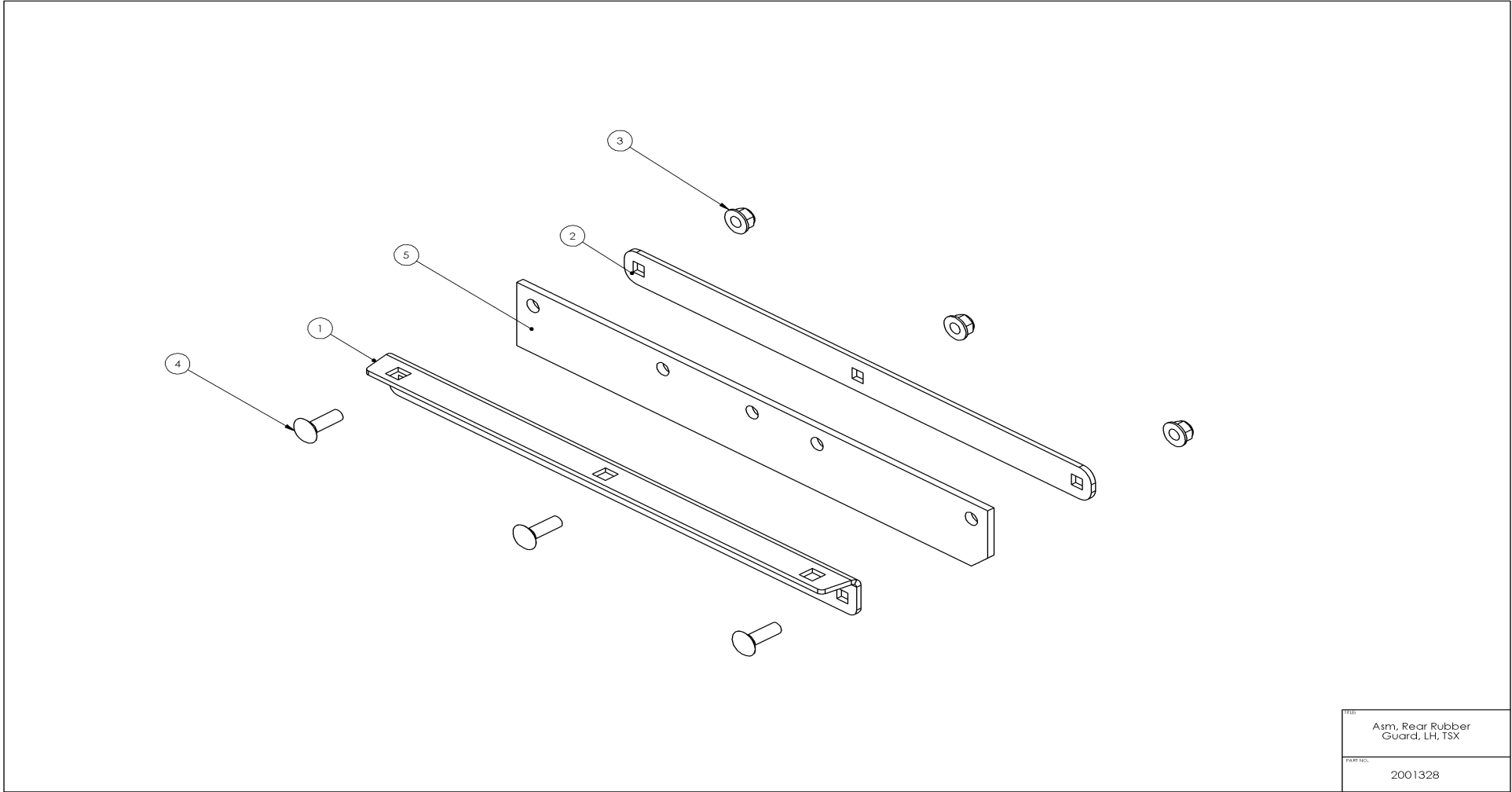


TITLE:	Asm. Rear Rubber Guard, RH, TSX
PART NO.:	2001327

Ref#	Part#	Description	Qty
1	3106346	MNT,RH REAR GUARD,10GA,TSX561 AT	1
2	3106347	STRAP,RH REAR GUARD,10GA,TSX561 AT	1
3	5000157	NUT	3
4	5000194	BOLT	3
5	5500062	REAR GUARD,DECK,3PLY RUBBER,BLK,TSX	1

2001328, ASM,REAR GUARD,RUBBER,LH,TSX561 AT

UNCONTROLLED DOCUMENT IF PRINTED

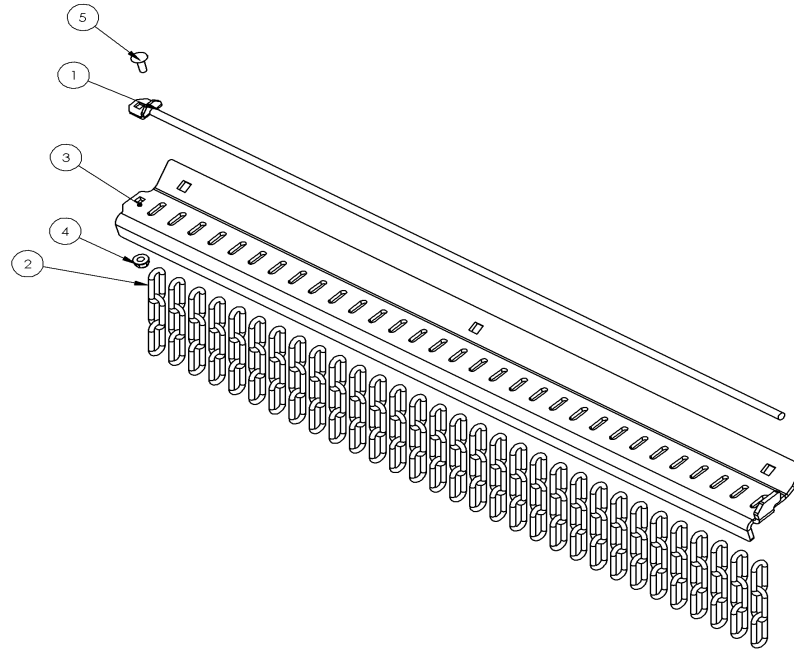


TITLE:	Asm. Rear Rubber Guard, LH, TSX
PART NO.:	2001328

Ref#	Part#	Description	Qty
1	3106344	MNT,LH REAR GUARD,10GA,TSX561 AT	1
2	3106345	STRAP,LH REAR GUARD,10GA,TSX561 AT	1
3	5000157	NUT	3
4	5000194	BOLT	3
5	5500062	REAR GUARD,DECK,3PLY RUBBER,BLK,TSX	1

2001329, ASM,FRONT CHAIN GUARD,RH,TSX561 AT

UNCONTROLLED DOCUMENT IF PRINTED

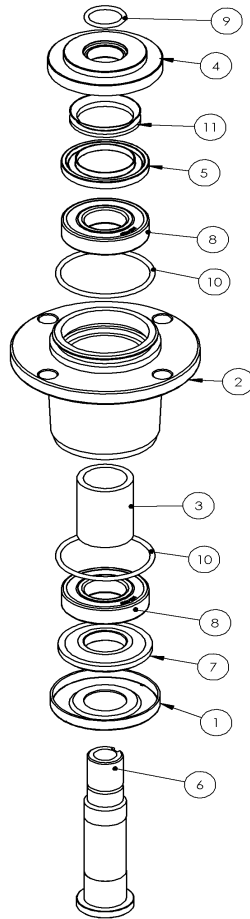


TITLE:	Assem, Front Chain Guard, RH, TSX
PART NO.:	2001329

Ref#	Part#	Description	Qty
1	1200667	WELD,CHAIN KEEPER,TRX/TSX 61 AT	1
2	3104124	CHAIN,3 LINK,STRAIGHT,2/0 ELECTRO GALV	31
3	3106363	MNT,CHAIN GUARD,RH,7GA,TSX561 AT	1
4	5000156	NUT	1
5	5000492	BOLT	1

2900623, SPINDLE ASM,CLAMP,TRX AT DECK

UNCONTROLLED DOCUMENT IF PRINTED

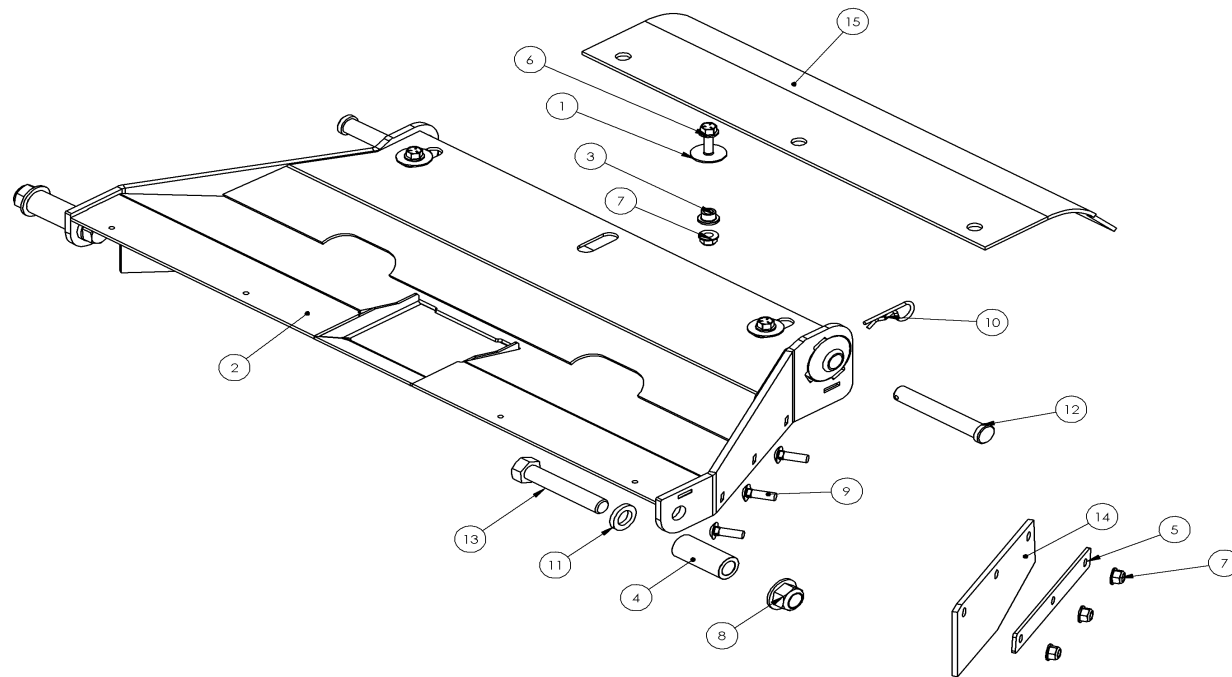


TITLE:	Assembly, Clamp Style, All Terrain Spindle
PART NO.:	2900623

Ref#	Part#	Description	Qty
1	3104284	GRASS SHIELD,LOWER,SPINDLE,ZY,TRX AT	1
2	3104644	HOUSING,SPINDLE,TRX AT	1
3	3105302	SPACER,SPINDLE BEARING,ZC,TRX AT	1
4	3105303	GRASS SHIELD,UPPER,SPINDLE,ZY,TRX AT	1
5	3105304	RETAINER,V-SEAL,SPINDLE,1.66ID,ZC,TRX AT	1
6	3105305	SHAFT,SPINDLE,CLAMP STYLE,PL,TRX AT	1
7	3105306	WASHER,LOWER SEAL,SPINDLE,ZY,TRX AT	1
8	5000686	BEARING,SPINDLE,SEALED/SHIELD,TRX AT	2
9	5000687	O-RING,SPINDLE,SIZE-211,BUNA-N,TRX AT	1
10	5500031	O-RING,SPINDLE,SIZE-230,BUNA-N,TRX AT	2
11	5500050	V-LIP SEAL,SPINDLE,1.575"ID,45,TRX AT	1

2001330, ASM,DECK STABILIZER PAN,TSX561 AT

UNCONTROLLED DOCUMENT IF PRINTED



TITLE:	Assem, Stabilizer Pan, AT Deck, TSX
PART NO.:	2001330

Ref#	Part#	Description	Qty
1	5196	WASHER	3
2	1201023	WELD,DECK STABILIZER PAN,TSX561 AT	1
3	3106323	BUSHING,FLANGE,.313"IDX.5"ODX.375",ZY	3
4	3106359	BUSHING,DECK STAB PAN,.625"IDX2.24",ZY	2
5	3106360	RUBBER SUPPORT,STAB PAN,10GA,TSX561 AT	2
6	5000128	BOLT	3
7	5000157	NUT	9
8	5000163	NUT	2
9	5000194	BOLT	6
10	5000258	COTTER	2
11	5000293	WASHER	2
12	5000730	CLEVIS PIN,W/ HOLE,5/8"X4"L,ZY	2
13	5000735	SCREW,5/8"-11X3-1/2",HHCS,GR5,ZY	2
14	5500063	SIDE GUARD,STAB PAN,3PLY RUBBER,BLK,TSX	2
15	5500064	REAR GUARD,STAB PAN,2PLY RUBBER,BLK,TSX	1

9990765, SYS,FOOT PAN,TSX,2021

UNCONTROLLED DOCUMENT IF PRINTED

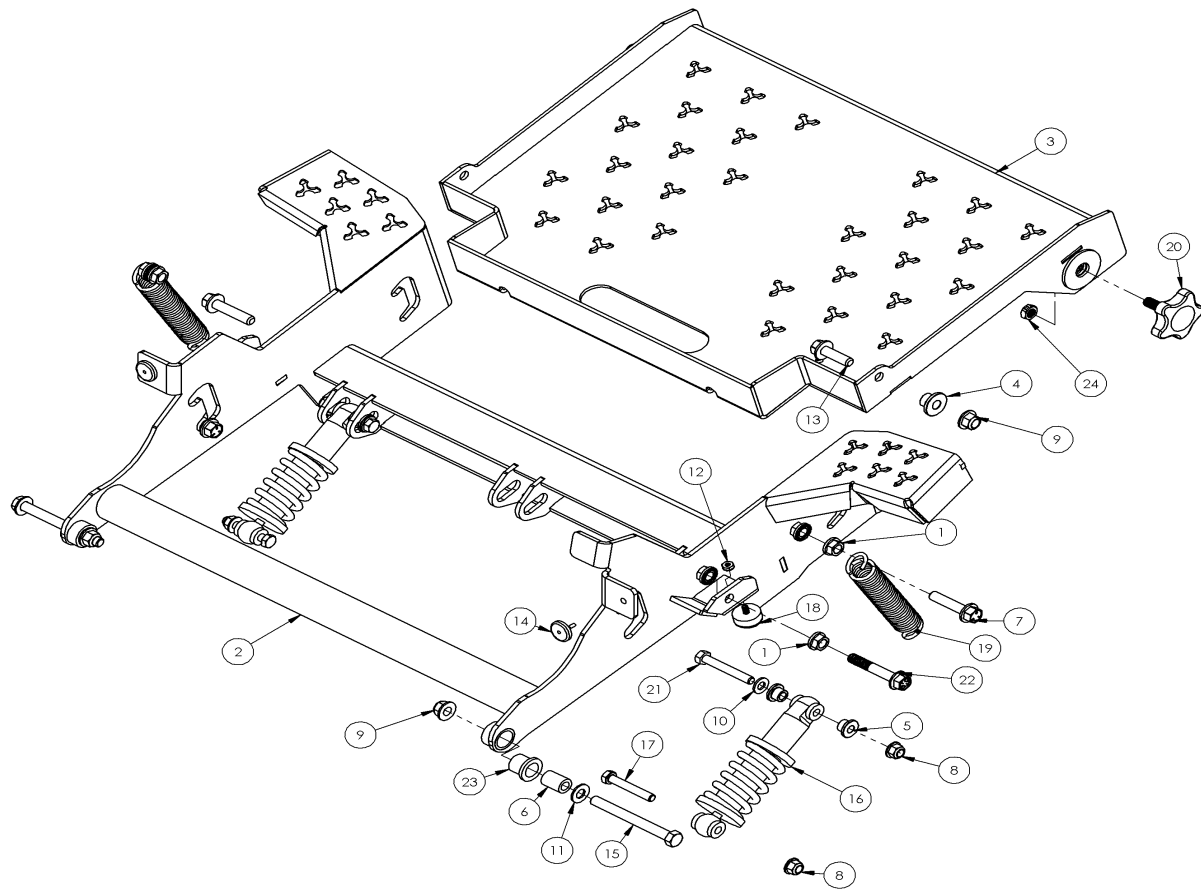
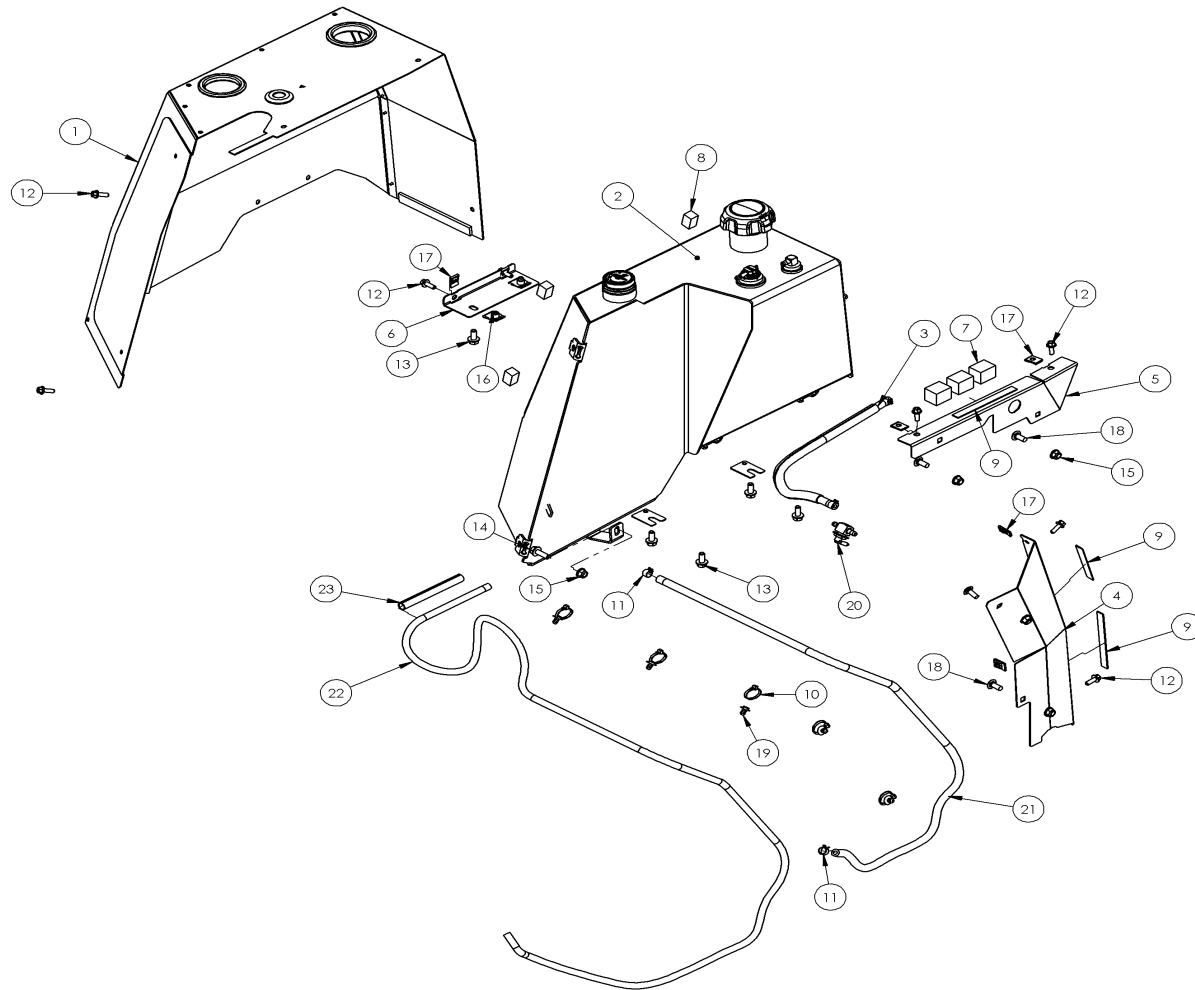


FIG.	System, Foot Pan, TSX
PART NO.	9990765

Ref#	Part#	Description	Qty
1	7787	NUT	8
2	1201016	WELD,FRAME,FOOT PAN,TSX	1
3	1201017	WELD,PLATFORM,FOOT PAN,TSX	1
4	3106321	BUSHING,FLANGE,.375"IDX.563"ODX.469",ZY	2
5	3106323	BUSHING,FLANGE,.313"IDX.5"ODX.375",ZY	4
6	3106422	SLEEVE,OP PLATFORM,.625"ODX.855",ZY	2
7	5000131	BOLT	2
8	5000157	NUT	4
9	5000159	NUT	4
10	5000173	WASHER	2
11	5000174	WASHER	2
12	5000178	NUT	2
13	5000185	BOLT	2
14	5000253	BUMPER	2
15	5000300	SCREW	2
16	5000490	SHOCK ABSORBER,XE/XR	2
17	5000494	SCREW	2
18	5000566	BUMPER,RUBBER,#10-24 STUD	2
19	5000726	SPRING,EXT,.135"W X1"ODX6",ZY	2
20	5000727	KNOB,FIVE LOBE,3/8"-16X1" STUD,BLK	2
21	5000728	SCREW,5/16"-18X2-1/4",HHCS,GR5,ZY	2
22	5000746	BOLT,3/8"-16X2-1/4",FLANGED HH,GR8,ZY	2
23	5000747	BUSHING,FLANGE,.625"IDX.75"ODX.75",BRZ	2
24	5000749	NUT,3/8"-16,HEX THIN JAM,BI-WAY LOCK,ZC	2

9990766, SYS,FUEL,TSX561 EFI,2021

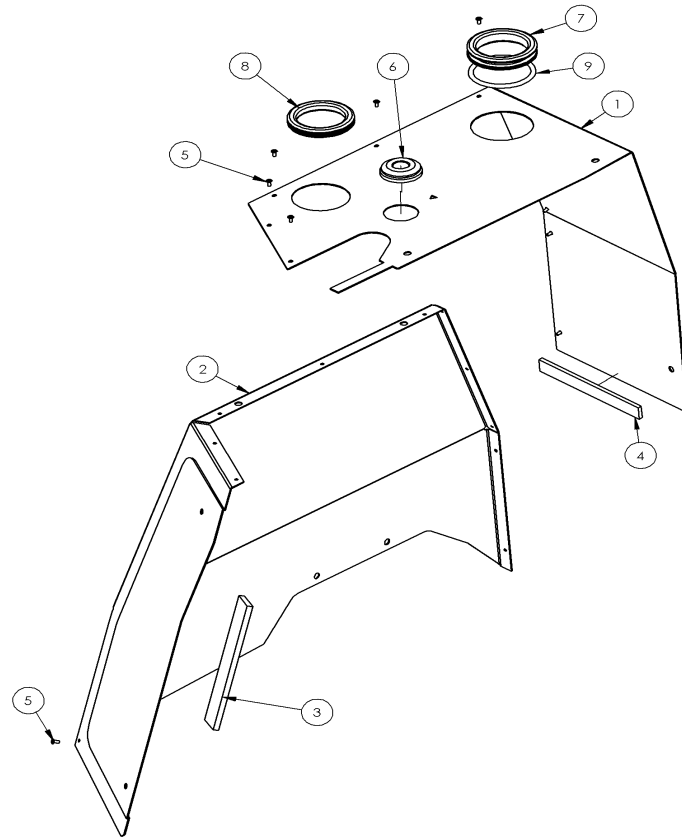
UNCONTROLLED DOCUMENT IF PRINTED

System, Fuel, TSX 561i,
2021PART NO.
9990766

Ref#	Part#	Description	Qty
1	2001340	ASM,FUEL TANK COVER,TSX	1
2	2001341	ASM,FUEL TANK,TSX	1
3	2001350	ASM,HOSE,FUEL,16",CLMP,TSX	1
4	3106328	COVER MNT,LOWER,FUEL TANK,16GA,TSX	1
5	3106329	COVER MNT,UPPER,FUEL TANK,16GA,TSX	1
6	3106382	FENDER MNT BRKT,FUEL TANK,14GA,TSX	1
7	4050025	FOAM	3
8	4050051	FOAM,ADHESIVE,5/8"Tx1"Wx5/8"L,EPDM	4
9	4050081	FOAM TAPE,ADH,1/16"Tx1/2"Wx5"L,BLK	3
10	5000062	CABLE TIE	5
11	5000066	CLAMP	2
12	5000126	BOLT	8
13	5000127	BOLT	6
14	5000128	BOLT	1
15	5000157	NUT	5
16	5000181	NUT	2
17	5000182	NUT	6
18	5000196	BOLT	4
19	5000254	CABLE TIE	5
20	5000729	VALVE,FUEL CUT-OFF,IN-LINE,TSX	1
21	5700104	HOSE,FUEL,CTL,1/4"IDX47"	1
22	5700105	HOSE,VAPOR,CTL,3/16"IDX74"	1
23	8200343	LOOM,CORR,SPLIT,BLK,CTL,5.00"	1

2001340, ASM,FUEL TANK COVER,TSX

UNCONTROLLED DOCUMENT IF PRINTED

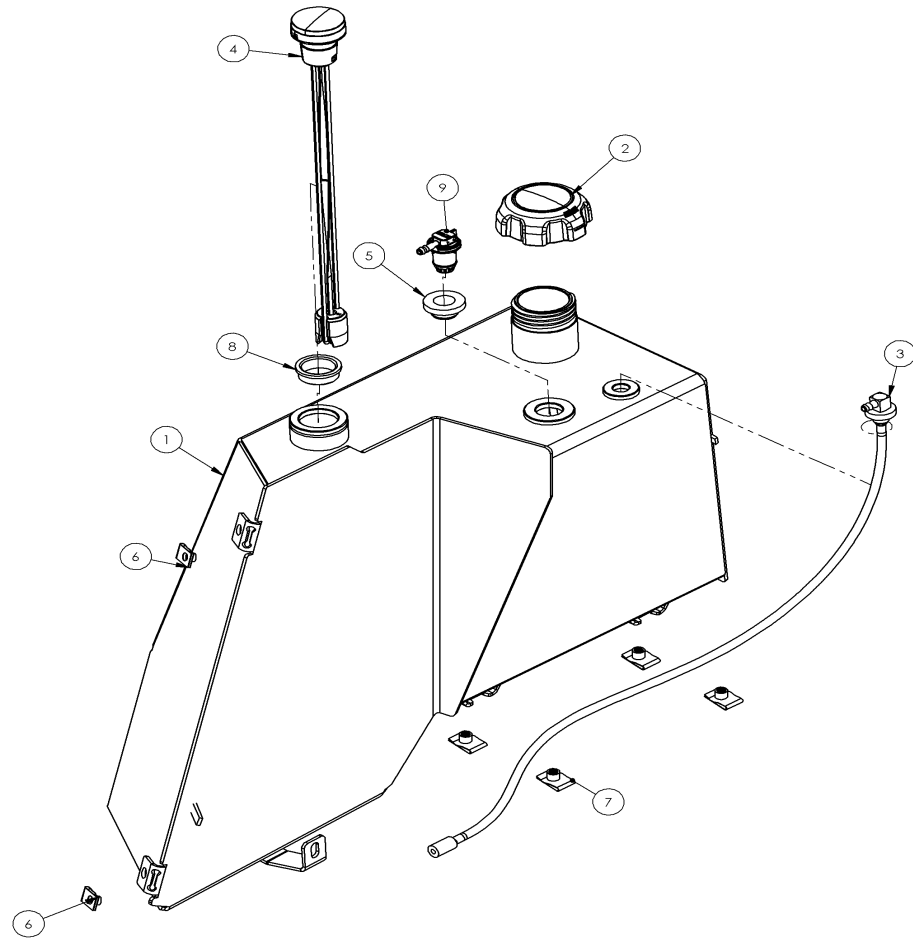


TITLE:	Cover, Fuel Tank, TSX
PART NO.:	2001340

Ref#	Part#	Description	Qty
1	3106326	TOP,FUEL TANK COVER,16GA,TSX	1
2	3106327	SIDE,FUEL TANK COVER,18GA,TSX	1
3	4050024	FOAM	1
4	4050080	FOAM TAPE,ADH,3/16"Tx3/4"Wx6"L,BLK	1
5	5000014	RIVET,BLIND,1/8"DIAx.275"LENGTH,BLK	11
6	5000435	GROMMET	1
7	5000750	GROMMET,2-1/4"IDX2-1/2"HOLEX1/4"PANEL	1
8	5000751	GROMMET,2-1/8"IDX2-1/2"HOLEX1/16"PANEL	1
9	5000753	O-RING,SIZE-333,BUNA-N,70 DURO	1

2001341, ASM,FUEL TANK,TSX

UNCONTROLLED DOCUMENT IF PRINTED

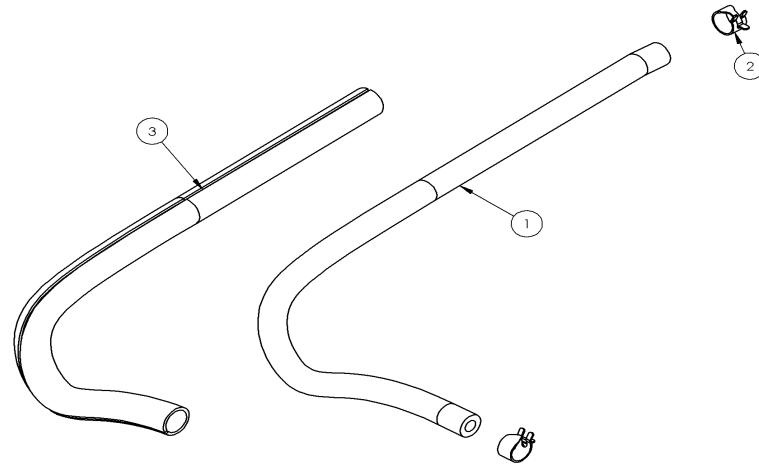


TITLE:	Tank, Fuel, Asm. Stander TRX
PART NO.:	2001341

Ref#	Part#	Description	Qty
1	1201018	WELD,FUEL TANK,ALUM,TSX	1
2	2900512	CAP,GAS,2.25",RATCHET,W/PRINTING,XE/XR	1
3	2900547	PICK-UP,FUEL ASM,XE/XEHD/XR/TRX354	1
4	2900644	GAUGE,GAS-KELCH,15"	1
5	5000081	GROMMET	1
6	5000180	NUT	2
7	5000181	NUT	4
8	5000315	GROMMET	1
9	6500023	VENT,REMOTE,KELCH	1

2001350, ASM,HOSE,FUEL,16",CLMP,TSX

UNCONTROLLED DOCUMENT IF PRINTED

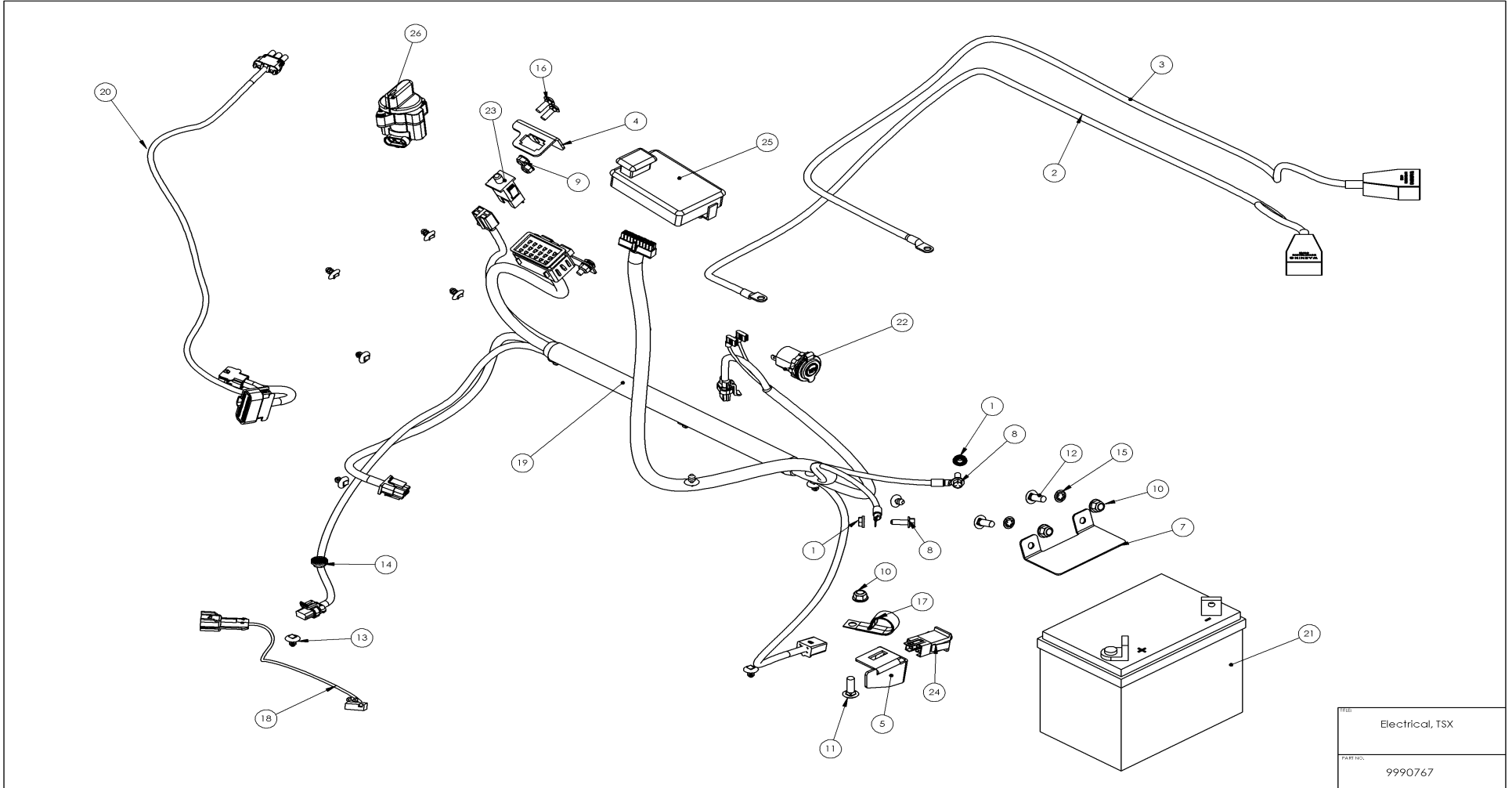


TITLE:	Asm, Hose, Fuel, 16", TSX
PART NO.:	2001350

Ref#	Part#	Description	Qty
1	5700103	HOSE,FUEL,CTL,1/4"IDX16"	1
2	5000066	CLAMP	2
3	8200342	CONDUIT,NYLON,COR,GRAY STRIPE,CTL,14.00"	1

9990767, SYS,ELECTRICAL,TSX561I K29.5,2021

UNCONTROLLED DOCUMENT IF PRINTED



TITLE	Electrical, TSX
PART NO.	9990767

Ref#	Part#	Description	Qty
1	5648	NUT	2
2	2001348	BATTERY CABLE,POSITIVE,53",TSX	1
3	2001349	BATTERY CABLE,NEGATIVE,52",TSX	1
4	3106205	BRKT,BRAKE SWITCH,12GA,TSX	1
5	3106322	BRKT,PLATFORM SENSOR SWITCH,12GA,TSX	1
6	3106365	MNT BRKT,RELAY BLOCK,14GA,TSX	1
7	3106423	BRKT,BATTERY HOLD DOWN,14GA,TSX	1
8	5000126	BOLT	2
9	5000156	NUT	4
10	5000157	NUT	3
11	5000194	BOLT	1
12	5000196	BOLT	2
13	5000254	CABLE TIE	13
14	5000296	NUT	1
15	5000428	NUT	2
16	5000492	BOLT	4
17	5000748	J-CLIP,1"IDX.625",VINYL,BLK	1
18	8000069	HARNESS,PIGTAIL,CLUTCH,W/SLEEVE	1
19	8000134	HARNESS,MAIN,TSX	1
20	8000135	HARNESS,ADAPTER,KAWI EFI,TSX	1
21	8200040	BATTERY	1
22	8200062	SOCKET	1
23	8200196	SWITCH,PLUNGER,DPST,NO/NO,SNAP,XE	1
24	8200197	SWITCH,PLUNGER,DPST,NO/NC,SNAP,XE	1
25	8200318	CONTROLLER,VG PRO,LCD,LED,PTO,RPM,EFI	1
26	8200341	THROTTLE,ELEC,DIAL ACTUATED,0-5VDC	1

