



Bobcat®

Parts Manual



9993001 KAW FT651V 21.5HP 48"SD

S/N 999300100070 & Above

9993002 KAW FT691V 23HP 52"SD

S/N 999300200070 & Above

9993003 KAW FT730V 24HP 61"SD

S/N 999300300070 & Above



GENERAL INFORMATION

Before ordering parts, ALWAYS provide dealer with your product model number and complete serial number information. Before ordering parts, verify correct part numbers and / or serial numbers with your dealer. When using the machine serial number, use the complete number.

The number shown in the quantity column in this manual is the number of parts needed for the illustration on the page. For some parts, an “x” is shown in the quantity column. This “x” indicates that the quantity to be ordered / used is “As Needed”.

When references to LH (Left Hand) and RH (Right Hand) are used in this manual, they apply when an operator is situated in the operator’s seat in the operating position.

www.bobcat.com

Mower Serial Number En- _____
gine Serial Number _____

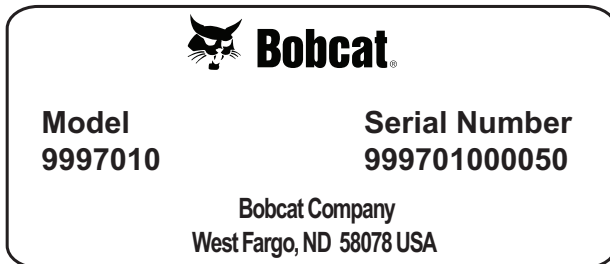
NOTES:

YOUR BOBCAT DEALER:

ADDRESS:

PHONE:

Example:

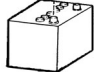

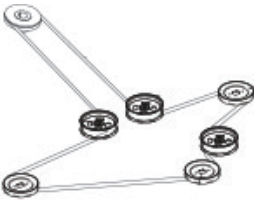




MODEL NUMBER: This number appears on sales literature, technical manuals and price lists.

SERIAL NUMBER: This number appears only on your unit. It contains the model number followed consecutively by the serial number. Use this number when ordering parts or seeking warranty information. Located under seat plate on frame of unit.

TABLE OF CONTENTS	FIGURE	PAGE
REGULAR MAINTENANCE ITEMS & ACCESSORIES		2
GENERAL SAFETY INFORMATION		3
FRAME / ENGINE & CLUTCH ASSEMBLY	FIGURE 1	4-5
TRANSAXLE ASSEMBLY	FIGURE 2	6-7
FUEL TANKS AND BUMPER	FIGURE 3	8-9
CONTROL PANEL	FIGURE 4	10-11
DECK LIFT ASSEMBLY	FIGURE 5	12-13
FOOTPLATE & CASTER ASSEMBLY	FIGURE 6	14-15
SEAT ASSEMBLY	FIGURE 7	16-17
STEERING ASSEMBLY	FIGURE 8	18-19
PARKING BRAKE ASSEMBLY	FIGURE 9	20-21
WIRE HARNESS	FIGURE 10	22-23
48" SIDE DISCHARGE DECK ASSEMBLY	FIGURE 11	24-25
52" SIDE DISCHARGE DECK ASSEMBLY	FIGURE 12	26-27
61" SIDE DISCHARGE DECK ASSEMBLY	FIGURE 13	28-29
CHUTE, BAFFLES, EDGES AND DECK LINKS	FIGURE 14	30-31
DECALS	FIGURE 15	32-33
DECALS	FIGURE 16	34-35

REGULAR MAINTENANCE ITEMS

 <p>BATTERY 4171099 An AGM battery charger is required (4171973)</p>	 <p>TRANSAXLE FILTER 4142045-06</p>
 <p>DECK BELT 9993001 4169566 9993002 4169640 9993003 4163569</p>	 <p>DECK BLADE 9993001 112111-01 9993002 112111-02 9993003 112111-03</p>
 <p>DRIVE BELT 4168621</p>	
<p>ENGINE OIL 7354875 SAE 10W30 CK-4/SN (1 qt)</p>	<p>TRANSAXLE OIL 7354882 - 2 gallon SAE 15w40 CE/SG (2 qt per transaxle)</p>

NOTE: Contact your Bobcat dealer for engine and engine parts replacements.

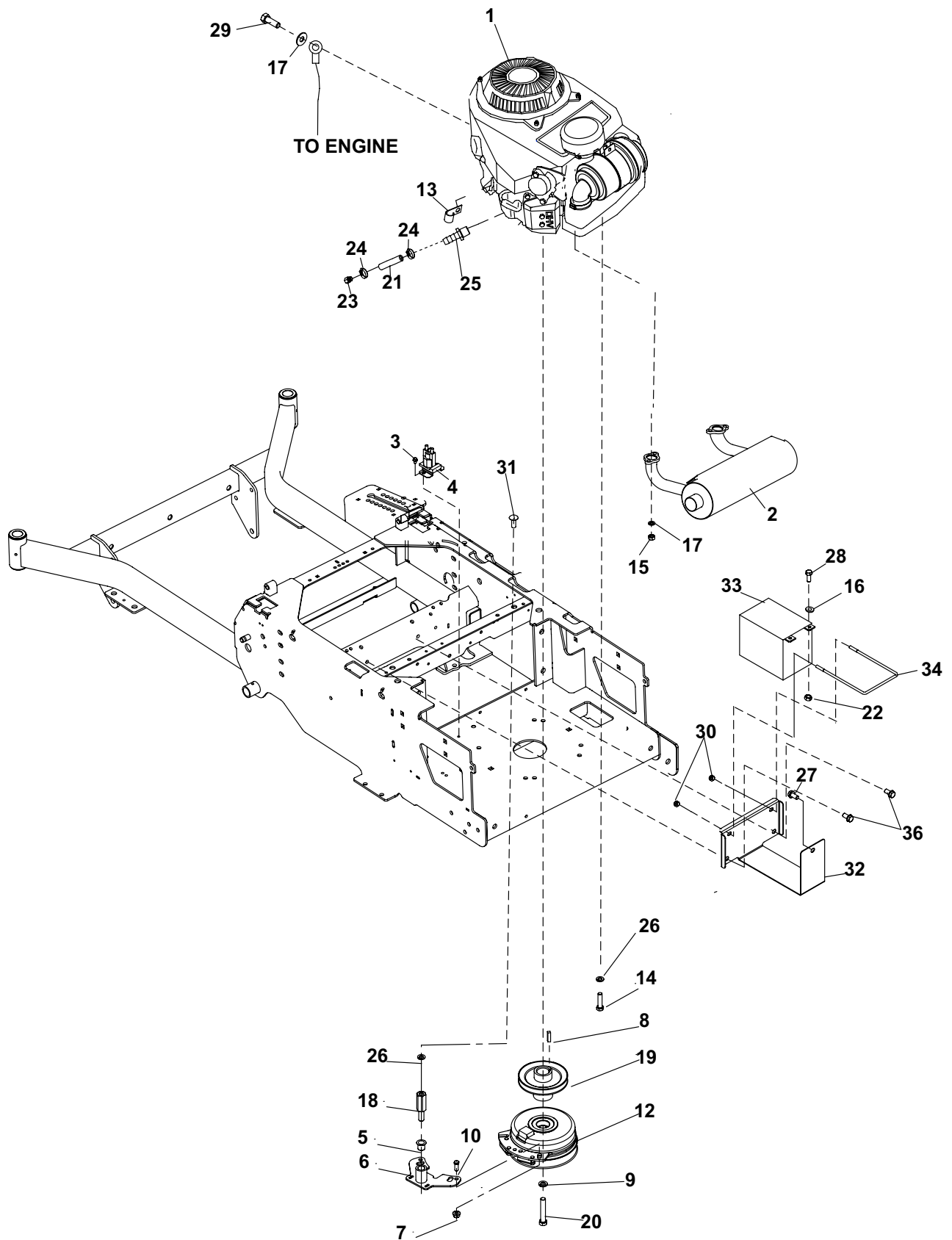
NOTE: Always verify Part Numbers with your Bobcat dealer.

ACCESSORIES

- Adjustable Front Lip Kit
- Magnetic Light & 12V
- ECO Plate
- Mulching Kit
- Striping Kit
- 3.75 & 5 Bushel poly side bag
- Hitch Kit
- Suspension Kit
- Roll-Over Protective Structure (ROPS)

FRAME-ENGINE/CLUTCH ASSY

FIGURE 1



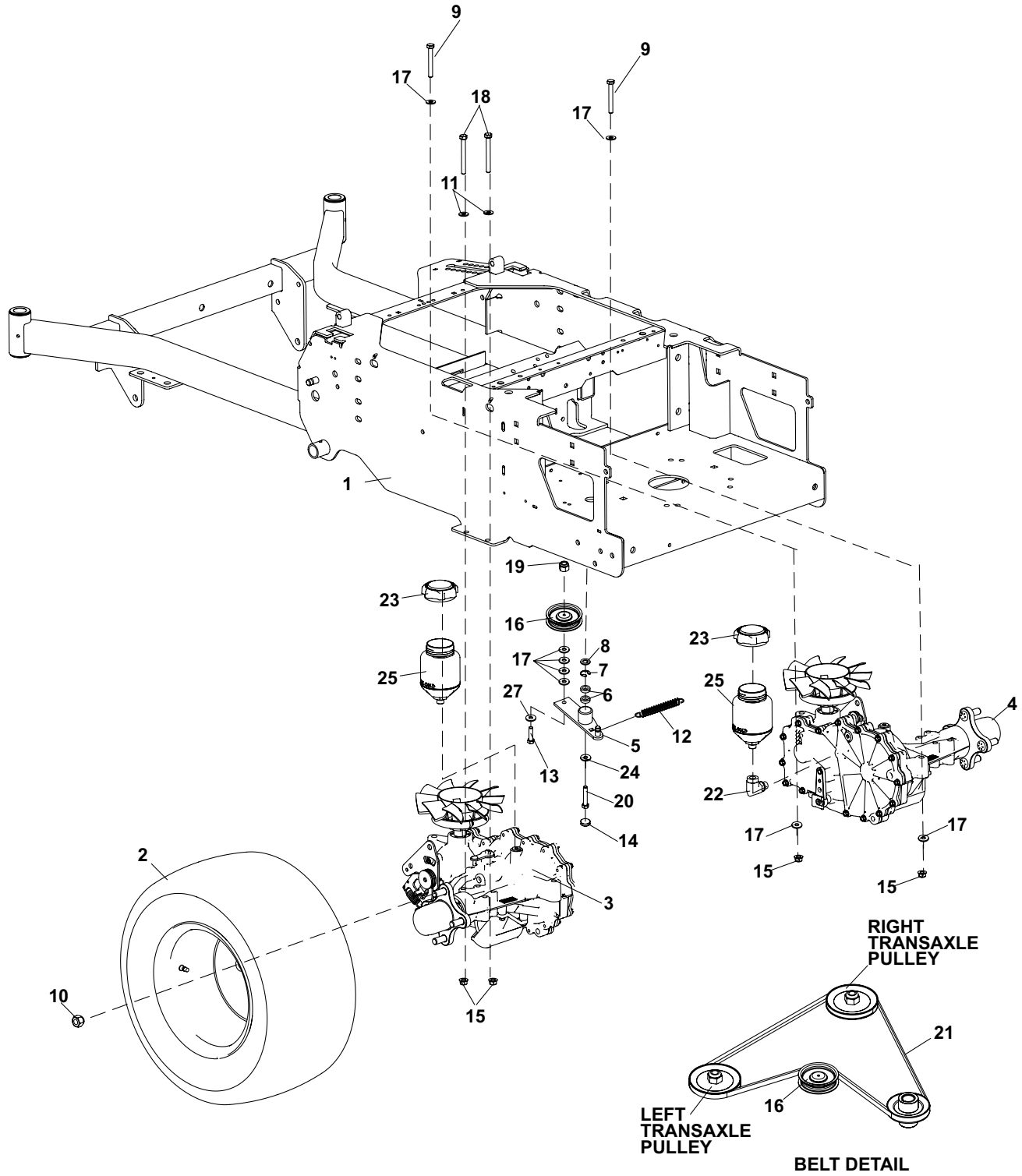
FRAME-ENGINE/CLUTCH ASSY

FIGURE 1

ITM	PART NO.	DESCRIPTION	QTY	ITM	PART NO.	DESCRIPTION	QTY
1	4178809	ENGINE-FT730V KAW EFI	1				
	4178807	ENGINE-FT651V KAW	1				
	4178808	ENGINE-FT691V KAW	1				
2	4175106	MUFFLER -KAW 22-26HP	1				
3	64152-23	1/4-20X3/8 LG SP SCREW	2				
4	38665	SOLENOID	1				
5	38304-03	BRG-FLANGED PLASTIC	1				
6	4173452.46	WLDMT-CLUTCH STOP	1				
7	64265-04	LOCKNUT-M8-1.25	2				
8	64164-12	KEY-1/4X1/4X1 SQ END	1				
9	64006-06	LOCKWASHER-HEL 7/16	1				
10	64205-001	BLT-MET M8-1.25X20	2				
11	4178925	S-FRAME , 48" &52"	1				
	4178924	S-FRAME, 61"					
12	4168822	CLUTCH-ENGINE PULLEY	1				
13	48412-01	CLAMP	1				
14	64123-70	BLT-HEX 3/8-16X1-1/2	4				
15	64207-01	NUT-HEX M8-1.25	4				
16	64163-03	WSHR .256ID X.62OD X 18 GA	2				
17	64006-01	LOCKWASHER-1/4 HELICAL	5				
18	4169106	PIN-CLUTCH, TALL	1				
19	4163309	PULLEY-ENGINE	1				
20	64123-78	BLT-HEX 7/16-20X2-1/2	1				
21	69053-05	HOSE, HYDRAULIC 12"	1				
22	64025-01	NUT-HEX 1/4-20	2				
23	4164251	VALVE-OIL DRAIN	1				
24	88042-01	CLAMP-HOSE 7/16	2				
25	4164252-001	FITTING-3/8NP TO BARB	1				
26	64006-03	LOCKWSHR-3/8 HELICAL	5				
27	64197-022	BLT-TDFM 3/8-16X3/4	3				
28	64262-002	BLT-FLG HD 1/4-20 X 3/4	2				
29	64263-007	BLT-FLG HD M8-1.25 X 20	1				
30	64268-02	NUT-FL NYLON LOCK 5/16-18	2				
31	64018-44	BLT-CRG 3/8-16 X 1	1				
32	4167258.46	TRAY-BATTERY	1				
33	4171099	BATTERY	1				
*	4171973	CHARGER-BATTERY, AGM					
34	4167239	STRAP-BATTERY	1				

TRANSAXLE ASSY

FIGURE 2



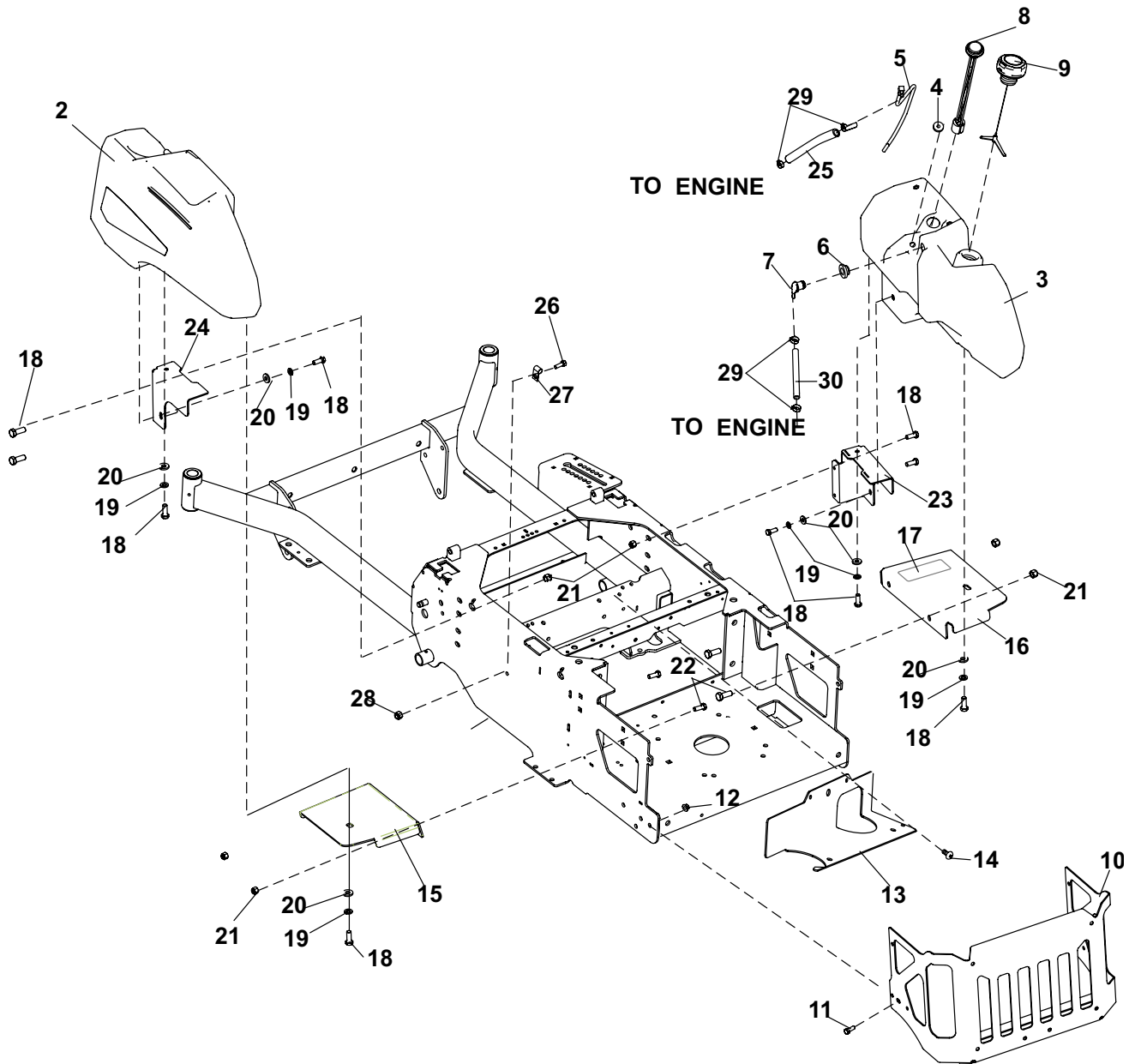
TRANSAXLE ASSY

FIGURE 2

ITM	PART NO.	DESCRIPTION	QTY	ITM	PART NO.	DESCRIPTION	QTY
1	4178925	S-FRAME , 48" &52" W/ LBL	1	TRANSAXLE SERVICE PARTS			
	4178924	S-FRAME , 61" W/ LABELS	1	26*	4142045-06	FILTER-TRANSAXLE	2
2	4178666	WHEEL-AS SY,22X11.0	2	27*	4168166-02	SPRING-CONTROL ARM	2
	4178666-01	RIM-10.00X7.00, ORANGE		2*	4163820	ARM-BRAKE	2
	4173332-01	TIRE-22X11.0-10			4164862	CLIP-RETAINING (USE WITH BRAKE ARM)	2
*	970438	KIT-WHEEL HUB PULLER		29*	4168166-04	KIT-ARM CONTROL, LH	1
3	4178800	TRANSAXLE-LH (INCLUDES 23, 25, 26-29, 31)	1	30*	4168167-03	KIT-ARM CONTROL, RH	1
4	4178801	TRANSAXLE-RH (INCLUDES 23, 25, 26-28, 30, 31)	1	31*	4179509	KIT, FAN/PULLEY TRANSAXLE	1
5	4178854	S-ASY, IDLER ARM PUMP (INCLUDES 6-8)	1	* NOT ILLUSTRATED			
6	4128004	BEARING-BALL 10X26X8	2				
7	64144-40	SNAP RING-26MM INTERNAL	1				
8	4128000	SEAL-16X26X7	1				
9	64123-88	BLT-HEX 3/8-16X2-3/4	4				
10	64187-03	NUT-WHEEL	8				
11	64163-55	WASHER .328X.75X14 GA	8				
12	4164128	SPRING-TENSION	1				
13	64123-67	BLT-HEX 3/8-16 X 2	1				
14	4128001	END CAP-24 X 7	1				
15	64268-02	NUT-FL NYLON LOCK 5/16-18	8				
16	2228016	PULLEY-IDLER PUMP	1				
17	64163-31	WASHER, 25/64X1X12	8				
18	64123-55	BLT-HEX 5/16-18X3	4				
19	64268-03	NUT-FL NYLON LOCK 3/8-16	1				
20	64270-01	BOLT-MET, HEX M10-1.5x30	1				
21	4143636	BELT-TRANSAXLE	1				
22	4163264-01	ADAPTER-90 #6 ORB/#6 ORB	1				
23	4142808-01	CAP-HYDROTANK	2				
24	64163-61	WSHR .81X.406X16GA	1				
25	4168619	ASSY-EXPANSION TANK	2				

FUEL TANK & CONTROL PANEL

FIGURE 3



FUEL TANK& CONTROL PANEL

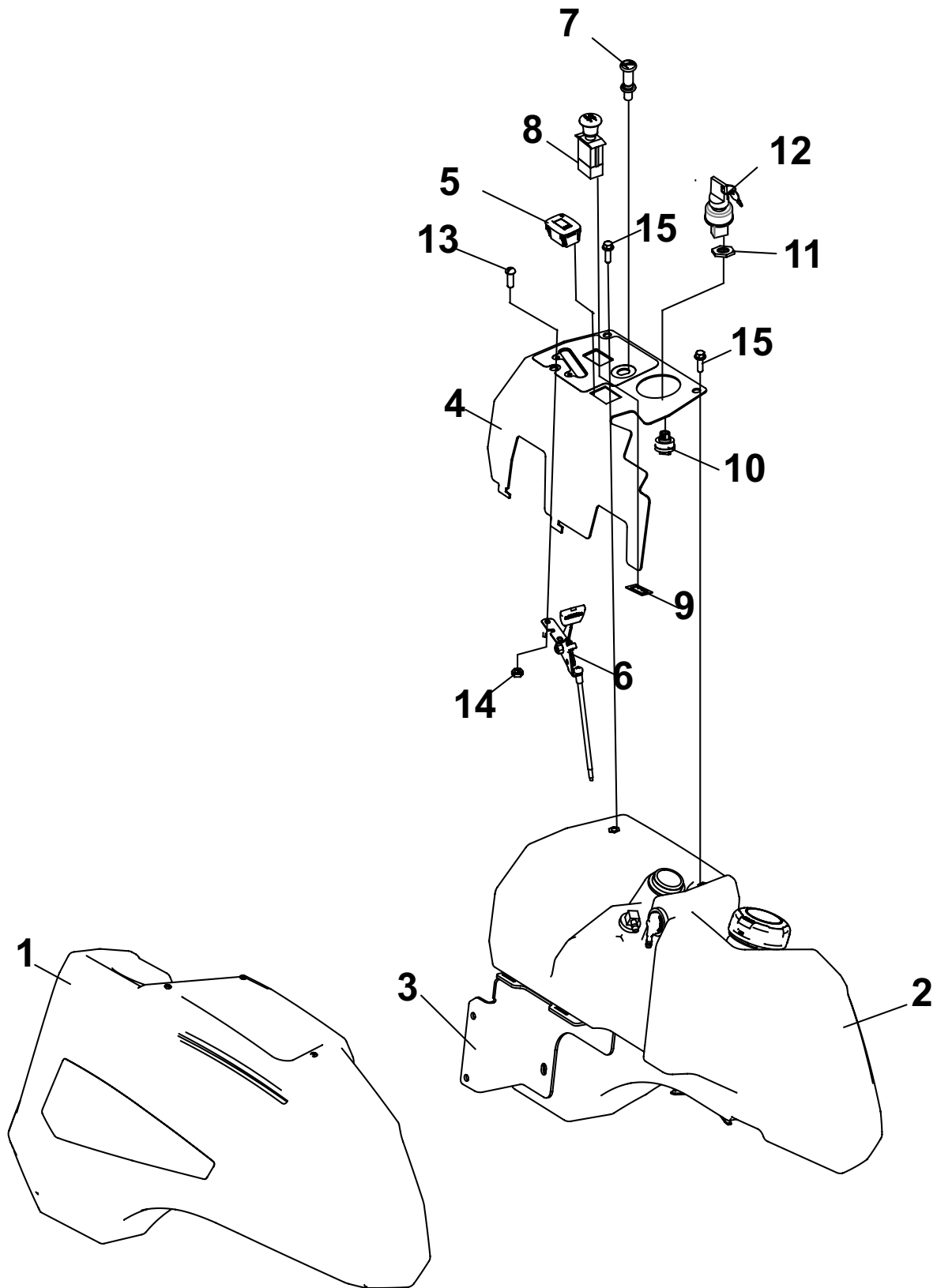
FIGURE 3

ITM	PART NO.	DESCRIPTION	QTY	ITM	PART NO.	DESCRIPTION	QTY
1	4178925	S-FRAME , 48" &52"	1				
	4178924	S-FRAME, 61"					
2	4178951	S-RH TANK,W/LABEL RES	1				
3	4178956	S-LH FENDER,W/LABEL RES	1				
		INCLUDES ITEMS 4-8					
4	4132325	GROMMET-FUEL TANK	1				
5	4178510-1	TUBE-FUEL PICK-UP	1				
6	4165387	GROMMET-ROLL OVER	1				
7	4165763	ROLLOVER VENT	1				
8	4178510-2	GAUGE-FUEL ANALOG	1				
9	4178765	CAP-FUEL TANK	1				
10	4179464	BUMPER-REAR	1				
11	64262-011	BLT-FLG HD 3/8-16 X 3/4	4				
12	64268-03	NUT-FL NYLON LOCK 3/8-16	4				
13	4174731.46	COVER-FRAME, REAR	1				
14	64152-23	SCREW-SP 1/4-20X3/8	2				
15	4179322.45	BRACKET-RH	1				
16	4179323.45	BRACKET-LH	1				
17	2000570	LABEL- WARN FUEL PICT	1				
18	64123-68	BLT-HEX 5/16-18X1	6				
19	64006-02	LOCKWSHR-5/16 HELICAL	6				
20	64163-29	WSHR-21/64 X 1 X 11GA	6				
21	64229-03	NUT-NYLON LOCK 3/16-18	8				
22	64018-44	BLT-CRG 3/8-16 X 1	4				
23	4178844.45	BRKT-TANK, SPACER, RH	2				
24	4178845.45	BRKT-TANK, SPACER, LH	2				
25	4162977-001	HOSE-1/4 FUEL LINE 25"	1				
26	64123-54	BLT-HEX 5/16-18X3/4	2				
27	48228-12	CLIP-CABLE	2				
28	64229-02	LOCKNUT-5/196-18	2				
29	88042N	HOSE CLAMP	4				
30	4162977-001	HOSE-FUEL LINE 31.5"	1				

* NOT ILLUSTRATED

CONTROL PANEL ASSEMBLY

FIGURE 4



CONTROL PANEL ASSEMBLY

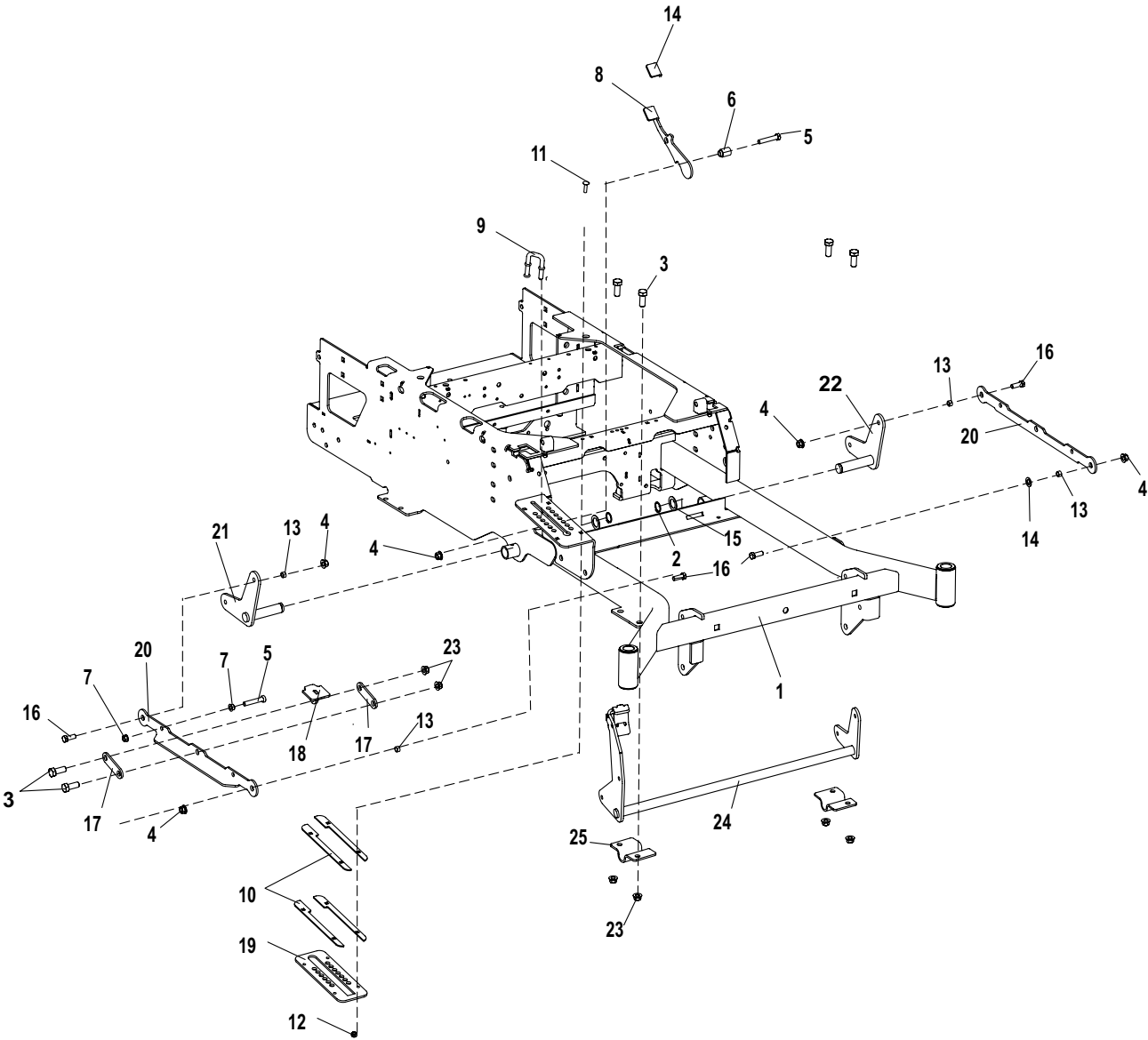
FIGURE 4

ITM	PART NO.	DESCRIPTION	QTY	ITM	PART NO.	DESCRIPTION	QTY
1	4178956	S-LH FENDER ,W/LABEL RES	1				
2	4178951	S-RH TANK,W/LABEL RES	1				
3	4178844.45	BRKT-TANK, SPACER, RH	2				
4	4178929	S-CONTROL PANEL	1				
5	4168452	METER-HOUR	1				
6	118020-23	CONTROL-THROTTLE	1				
7	108009-03	CABLE-CHOKE 51	1				
8	2721505	SWITCH-PTO	1				
9	2188178	SWITCH-RETAINER	1				
10	128010	SWITCH, KEY	1				
11	128010-01	S-KEY SWITCH NUT 5/8-32	1				
12	128010-03	S-COVERED KEY	1				
13	64152-46	SCREW-SLT HH 10-24X1/2	2				
14	64025-15	NUT-HEX #10-24 KEPS	2				
15	64262-042	BLT-FLG HD 5/16-18X1/2	2				

*NOT ILLUSTRATED

DECK LIFT ASSEMBLY

FIGURE 5



DECK LIFT ASSEMBLY

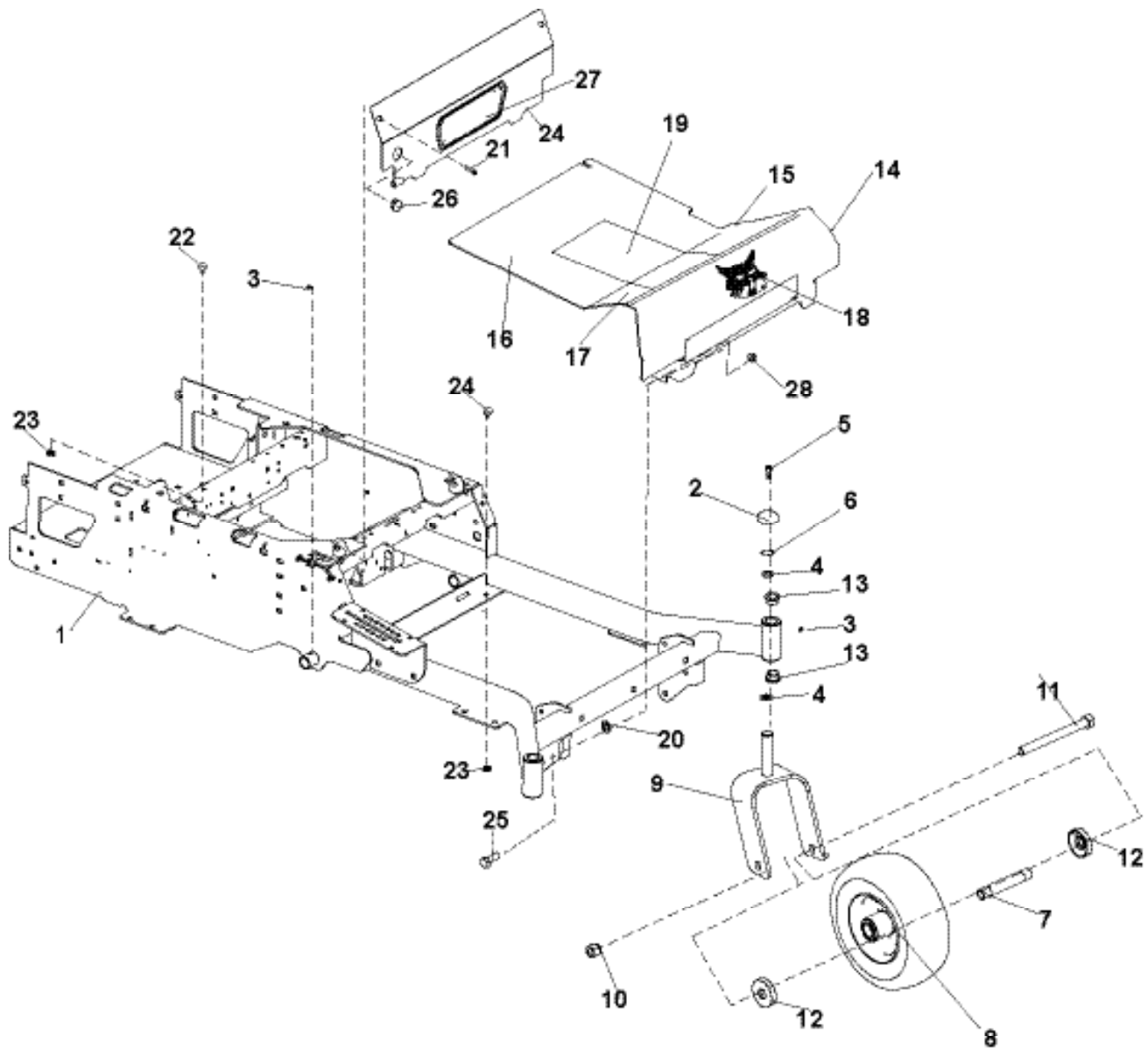
FIGURE 5

ITM	PART NO.	DESCRIPTION	QTY	ITM	PART NO.	DESCRIPTION	QTY
1	4178925	S-FRAME, 48/52" W/LABELS	1				
	4178924	S-FRAME, 61" W/LABELS					
2	64144-03	SNAP RING-7/8"	2				
3	64123-39	BLT--CARRIAGE 1/2-13 X 1-1/4	4				
4	64268-03	NUT-FL NYLON LOCK 3/8-16	4				
5	64123-87	BLT-HEX 3/8-16 1-3/4	2				
6	4168335	SPACER-TANSPORT RELEASE	1				
7	64141-4	NUT-WLF 3/8-16	2				
8	4169229.46	LATCH-TRANSPORT	1				
9	4168338	STOP-WIRE FORM, UPGRADE	1				
10	4167982.46	PLT-STACKER, 2	4				
11	64018-42	BLT- CRG 1/4-20 X 1	4				
12	64229-01	NUT-NYLON LOCK 1/4-20	4				
13	4174948-01	SPACER-DECK LINK	4				
14	4169398	GRIP-LATCH TRANSPORT	1				
15	64163-65	WSHR-.890X1.375X18GA	2				
16	64262-012	BLT-FLG HD 3/8-16 X 1-1/4	4				
17	4168181.46	PLT-LINK, HEIGHT ADJUST	2				
18	4167994.46	WLDMT-HEIGHT ADJ SLIDER	1				
19	4167983.46	PLT-SLIDER MNTG	1				
20	4175393.46	BRKT-DECK LIFT	2				
21	4168138.46	WLDMT-STUBSHAFT, RH	1				
22	4168140.46	WLDMT-STUBSHAFT, LH	1				
23	64268-05	NUT-FL NYLON LCK 1/2-13	6				
24	4179444.46	WLDMT-LIFT ARM	1				
25	4174076.46	BRKT-HANGER, DECK LIFT	2				
26	64123-73	BLT-HEX 1/2-13X1	4				

*NOT ILLUSTRATED

CASTER ASSEMBLY

FIGURE 6



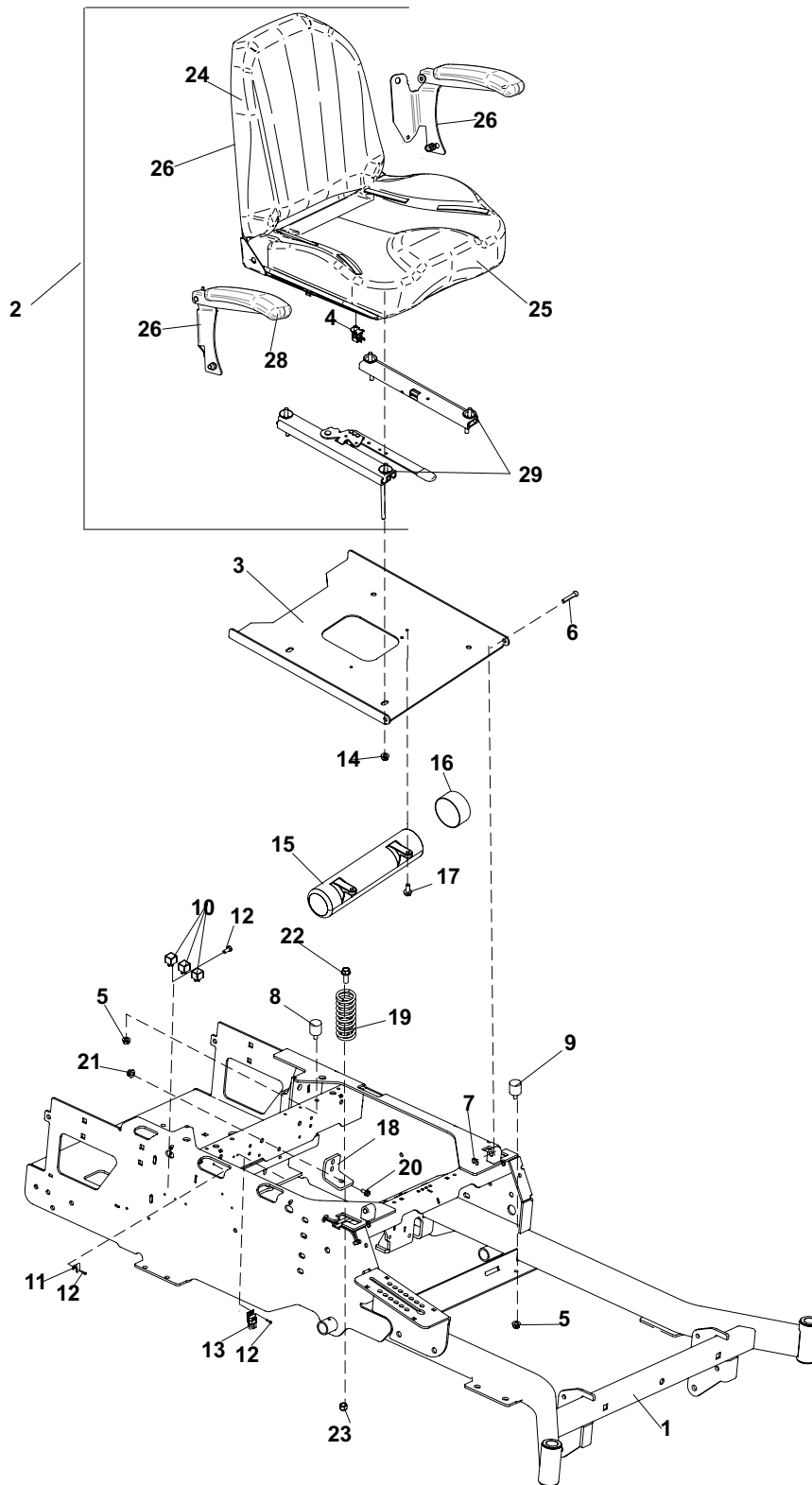
CASTER ASSEMBLY

FIGURE 6

ITM	PART NO.	DESCRIPTION	QTY	ITM	PART NO.	DESCRIPTION	QTY
1	4178925	S-FRAME W/LABS, 48"-52"	1				
	4178924	S-FRAME W/LABS, 61"					
2	4171802	CAP-COVER	2				
3	85010N	ZERK-1/4-28	2				
4	64163-64	WSHR 1.015X1.500X14GA	4				
5	64272-04	FLT-HEX SCR 5/16-18 X 3/4	2				
6	64144-24	SNAP RING 1.00 EXT	2				
7	2722230-08	SPANNER-11" WHEEL	2				
8	4178398	WHEEL-13X6.5-6	2				
8	4179540	WHEEL-13X6.5-6 NO FLAT (OPTIONAL TIRE)	2				
9	4178613.46	WLDMT-CASTER	2				
10	64229-05	NUT-NYLON LOCK 1/2-13	2				
11	64123-221	BLT-HEX 3/4-10X9-1/2	2				
12	4178415	DUST COVER-WHEEL	4				
13	4129801	BUSHING-FLANGED	4				
14	4178947	S-FOOT PLATE	1				
		(INCLUDES ITEMS 15-19)					
15	4167088	MAT-FOOT PLATE LH UPPER	1				
16	4165931	MAT-FOOT PLATE LOWER	1				
17	4167087	MAT-FOOTPLATE RH UPPER	1				
18	4178634	LABEL- LARGE CAT	1				
19	4165610	LABEL-WARNING	1				
20	64163-46	WSHR .383/.393 X .88 X 7GA	2				
21	64197-016	BLT-TDFM 3/8-16X1/2	2				
22	4143354	BUMPER, SEAT MOUNTING	4				
23	64141-4	NUT-3/8-18	4				
24	4164549.45	PLATE-FRONT REMOVABLE	1				
25	64123-16	BLT-HEX 3/8-16X1-1/4	2				
26	4142266	CONNECTOR 12V RECEPT	1				
27	4178887	LABEL-ZT3000	1				
28	64229-03	NUT-NYL LOCK 3/8-16	2				

KICKPLATE/SEAT ASSEMBLY

FIGURE 7



KICKPLATE/SEAT ASSEMBLY

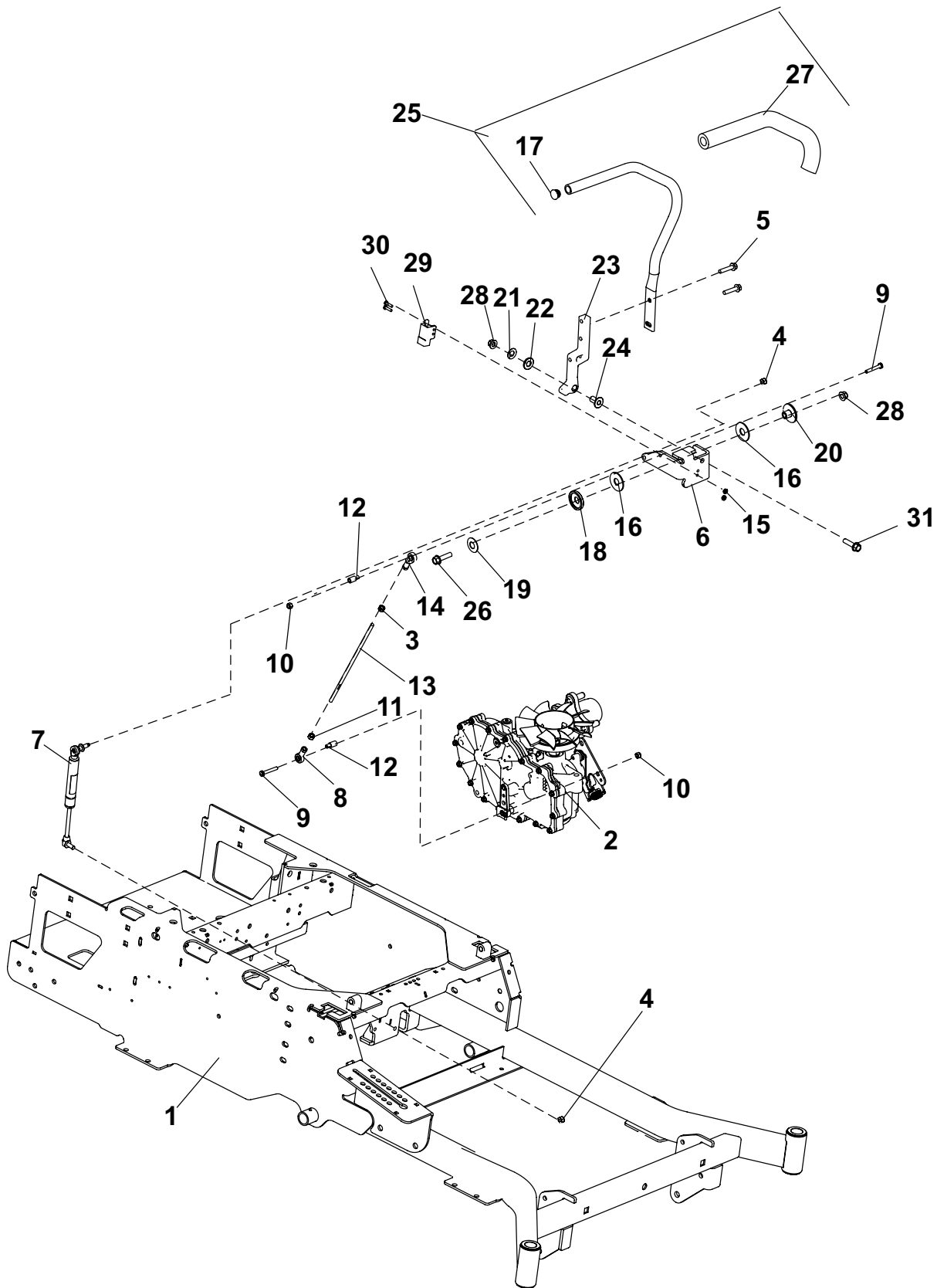
FIGURE 7

ITM	PART NO.	DESCRIPTION	QTY	ITM	PART NO.	DESCRIPTION	QTY
1	4178925	S-FRAME W/LABS, 48"-52"	1				
	4178924	S-FRAME W/LABS, 61"					
2	4178717	SEAT-NON-SUSP 3000 INCLUDES ITEMS 4, 24-29	1				
3	4175260.46	PLATE-SEAT	1				
4	4124009	SWITCH-SEAT NO	1				
5	64141-6	NUT-5/16-18	4				
6	33138-09	PIN-CLEVIS GRVD .38 X 1.31	2				
7	64144-30	SNAP RING .375	2				
8	4164210	BUMPER, SEAT MOUNTING	2				
9	4143354	BUMPER	1				
10	2722325	RELAY-40AMP SEALED	3				
11	148082-20	FUSE-20 AMP	2				
12	64197-032	BLT-TDFM 10-24X1/2	6				
13	2188154	MODULE-DELAY	1				
14	64268-02	BLT-FLG HD 1/4-20 X 1	4				
15	4160281	S-DOCUMENT TUBE W/LAB INCLUDES ITEM 16	1				
16	38061A	CAP-VINYL	1				
17	64197-002	BLT-TDFM 1/4-20 X 3/4	2				
18	4164330.46	BRKT-SPRING MOUNTING	2				
19	4164569	SPRING-SEAT	2				
20	64262-003	BLT-FLG HD 1/4-20X1	4				
21	64229-01	NUT-NYLON LOCK 1/4-20	4				
22	64262-011	BLT-FLG HD 3/8-16X1	2				
23	64229-03	NUT-NYLON LK 3/8-16	2				
24	4178987	S-COVER BACK W. LOGO	1				
25	4178988	S-COVER BOTTOM	1				
26	4178942	ARM KIT-RH	1				
	4178941	ARM KIT-LH	1				
27*	4178943	S-KIT ARMREST	1				
28	4178940	PAD-ARM SINGLE	2				
29	4169768-04	SLIDERS-SEAT	1				
30	970393	KIT-SEAT SPRING INCLUDES ITEMS 18-23	1				

* NOT ILLUSTRATED

STEERING

FIGURE 8



STEERING

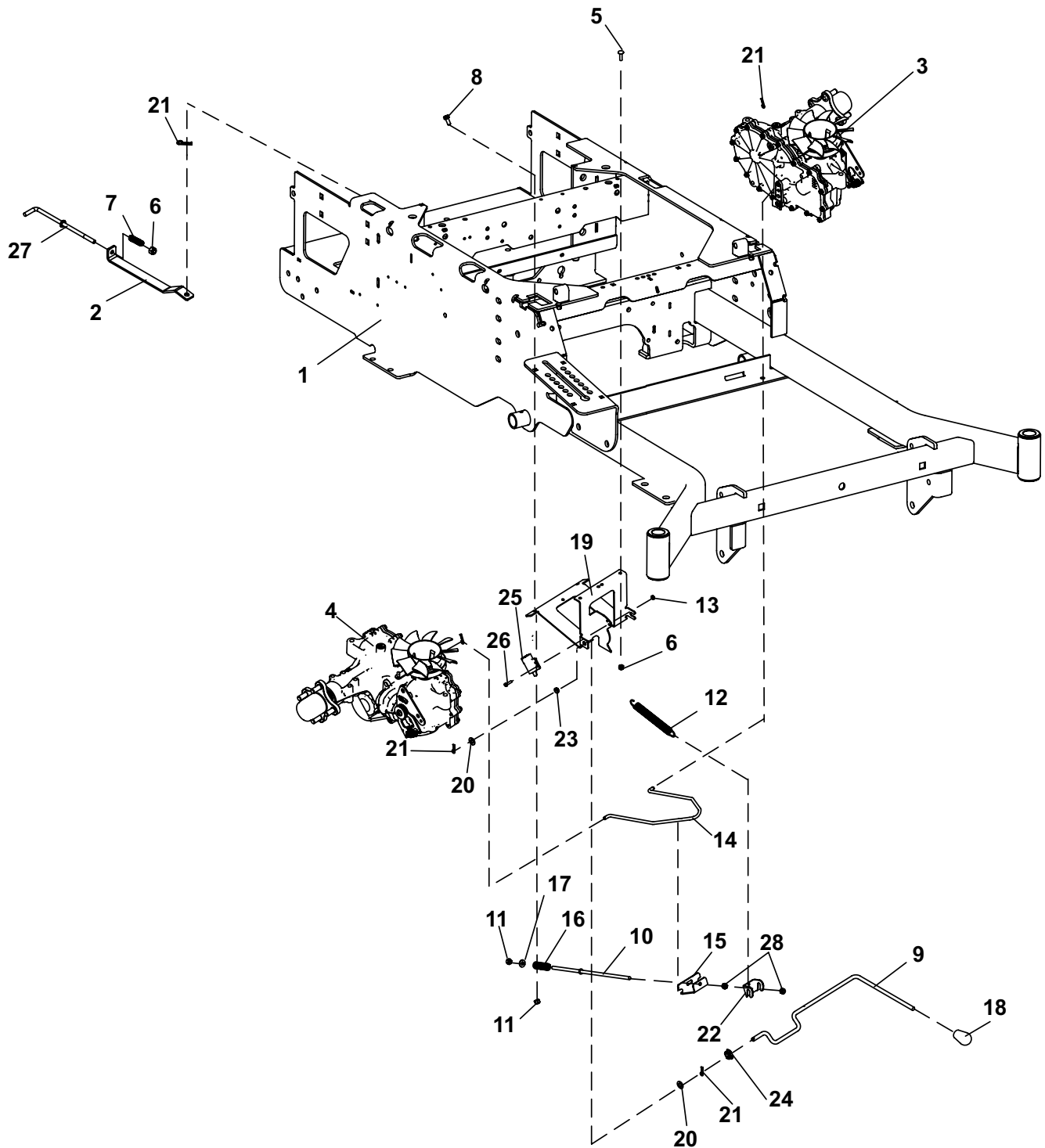
FIGURE 8

ITM	PART NO.	DESCRIPTION	QTY	ITM	PART NO.	DESCRIPTION	QTY
1	4178925	S-FRAME W/ LABS, 48/52"	1				
	4178924	S-FRAME W/ LABS, 61"					
2	4178800	TRANSAXLE-LH	1				
	4178801	TRANSAXLE-RH	1				
3	64025-03	NUT-HEX 5/24	2				
4	64229-02	NUT-NYLON LOCK 5/16-18	4				
5	64262-006	BLT-FLG HD 5/16-18 X 3/4	4				
6	4171278	PLT-CONTROL BOX, LH	1				
	4171279	PLT-CONTROL BOX, RH	1				
7	4165499	DAMPER	2				
8	4143595-01	ROD END-FEMALE	2				
9	64123-60	BLT-HEX 1/4-20X2	4				
10	64229-01	NUT-NYLON LOCK 1/4-20	4				
11	64025-33	NUT-HEX 5/16-24 LH	2				
12	4168814	SPACER-CONTROL ROD	4				
13	4143571	ROD-CONTROL	2				
14	4143595-02	ROD END-FEMALE, LH	2				
15	64025-15	NUT-HEX #10-24 KEPS	4				
16	4168126	WASHER-FLAT, DELRIN	4				
17	4163692	CAP-TUBE END	2				
18	4168328	WASHER - CUPPED	2				
19	4168434	WASHER-BELLVILLE, 625 ID	2				
20	4168327	SPACER-CONTROL LEVER	2				
21	4168435	WASHER-BELLVILLE, 512 ID	2				
22	4168346	WASHER-CUP, LUBRICATING	2				
23	4170389	BAR-CONTROL, PM	2				
24	4168345	SPACER-CTL ARM,	2				
25	4178923	S-HANDLE W/ GRIP	2				
		INCLUDES ITEMS 17 & 27					
26	64262-013	BLT-FLG HD 3/8-16 X 1-1/2	2				
27	4178769	GRIP-CONTROL ERGO	2				
28	64268-03	NUT-FL NYLON LOCK 3/8-16	4				
29	108208	SWITCH-DBL POLE NC/NO	2				
30	64152-49	SCREW-SLT HH 10-24X3/4	4				
31	64262-018	BLT-FLG HD 3/8-16 x 1-3/4	2				

* NOT ILLUSTRATED

PARKING BRAKE

FIGURE 9



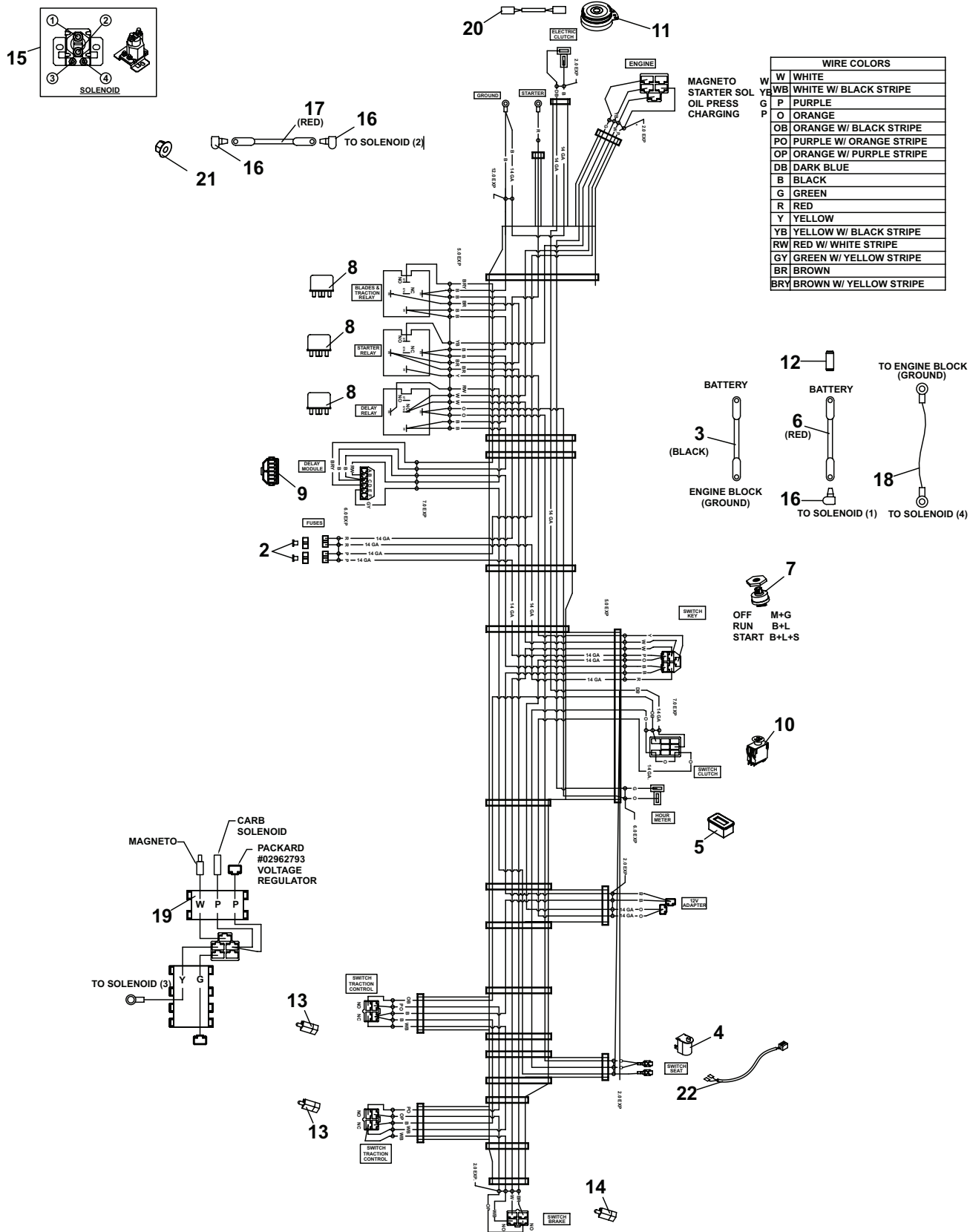
PARKING BRAKE

FIGURE 9

ITM	PART NO.	DESCRIPTION	QTY	ITM	PART NO.	DESCRIPTION	QTY
1	4178925	S-FRAME W/ LABS 48/52"	1				
	4178924	S-FRAME W/ LABS, 61"					
2	4148698.46	LINK-DUMP VALVE	2				
3	4178800	TRANSAXLE-LH	1				
4	4178801	TRANSAXLE-RH	1				
5	64018-2	BLT-CRG, 1/4-20 X 3/4	2				
6	64229-01	NUT-NYLON LOCK 1/4-20	4				
7	2720977	SPRING-COMPRESSION	2				
8	64123-54	BLT-HEX 5/16-18 X .75	2				
9	4168162	LEVER-BRAKE, WIRE-FORM	1				
10	4168171	ROD-BRAKE, THRD, 5/16	1				
11	64229-02	NUT-NYLON LOCK 5/16-18	3				
12	41-010	SPRING	1				
13	64025-15	NUT-HEX #10-24 KEPS	2				
14	4168163	ROD-BRAKE, PARKING	1				
15	4168217.46	BRACKET-CLIP, RETAINER	1				
16	4155481	SPRING COMPRESSION	1				
17	64163-55	WSHR-.328X.75X14 GA	1				
18	4168180	KNOB-PUSH ON	1				
19	4168209.46	BRACKET-BRAKE, PARKING	1				
20	64163-61	WSHR .81X.406X16GA	2				
21	64168-2	COTTER-HAIRPIN .08X1.19	6				
22	4168210.46	CLIP-RETAINING, LINK	1				
23	4168216	BUSHING-PARKING BRAKE	1				
24	4168412	BEARING-BRAKE, PARKING	1				
25	2188156	SWITCH-NONO DBL POLE	1				
26	64152-49	SCREW-SLT HH 10-24X3/4	2				
27	4148697	ROD-BYPASS CONTROL	2				
28	64141-6	NUT-WLF 5/16-18	2				

WIRE HARNESS

FIGURE 10



WIRE HARNESS

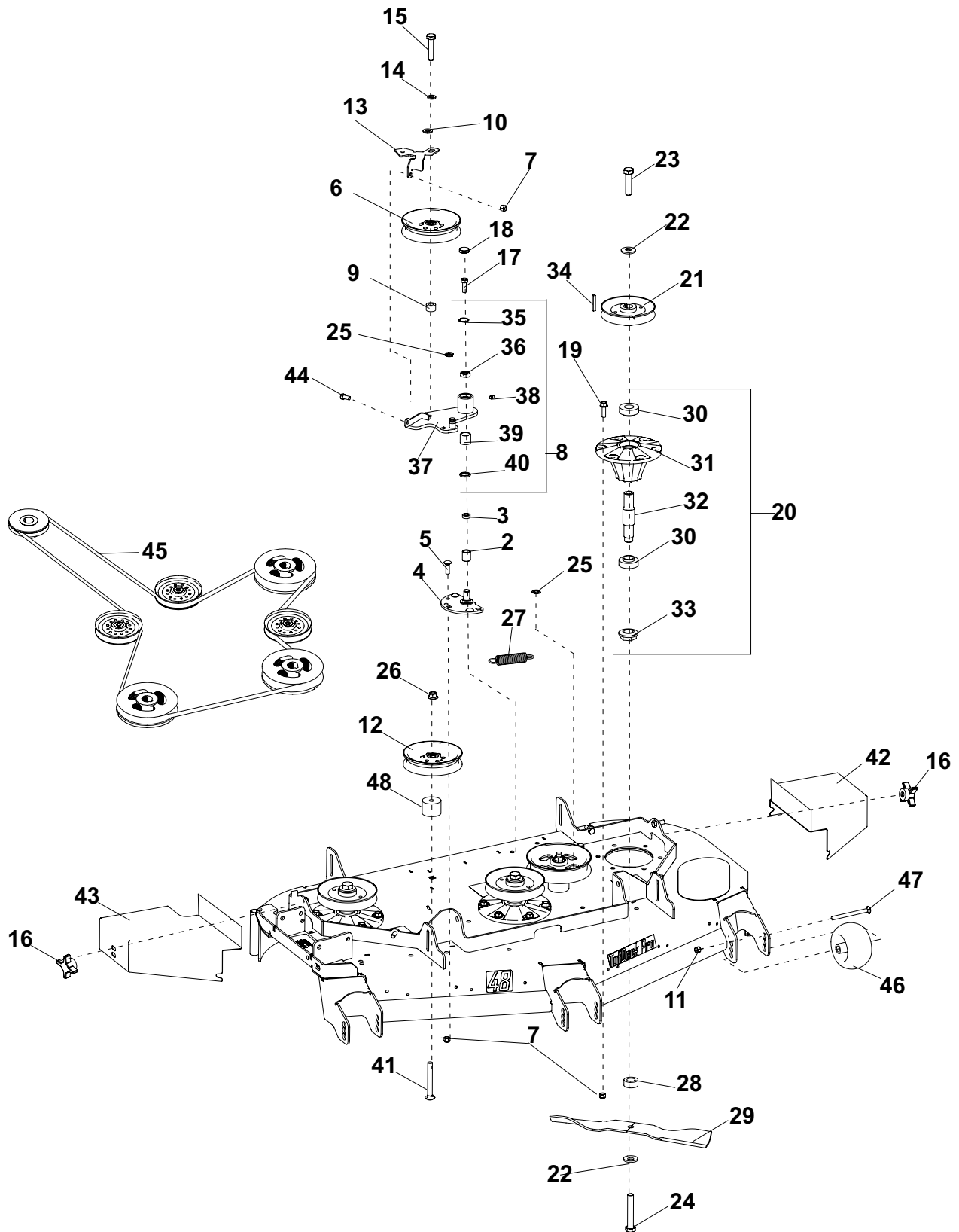
FIGURE 10

ITM	PART NO.	DESCRIPTION	QTY	ITM	PART NO.	DESCRIPTION	QTY
1	4168406	HARNESS-MAIN WIRE	1				
2	148082-20	FUSE 20 AMP	2				
3	30-419	CABLE-BATT 4 GA BLK 29"	1				
4	4124009	SWITCH-SEAT NO	1				
5	4168452	METER-HOUR	1				
6	4168492	CABLE-BATT 4 GA RED 29"	1				
7	128010	SWITCH, KEY	1				
8	2722325	RELAY-40AMP SEALED	3				
9	2188154	MODULE-DELAY	1				
10	2721505	SWITCH-PTO	1				
11	4168822	CLUTCH-ELECTRICAL 61"	1				
12	30-184	COVER-POS TERMINAL	1				
13	108208	SWITCH DBL POLE	2				
14	2188156	SWITCH-NONO DBL POLE	1				
15	38665	SOLENOID	1				
16	2308095	COVER-TERMINAL	3				
17	108061-04	CABLE-BATTERY 20 RED	1				
18	2188225	WIRE-GROUND	1				
19	2188224	HARNESS-JUMPER	1				
20	2720949	ASSY-CLUTCH WIRE	1				
21	64141-2	NUT-WLF 1/4-20	1				
22	4164972	WIRE-SEAT SWITCH	1				
23*	56-081-36	SLEEVING, ID 0.77 NYLON 2'	1				
24*	4142266	CONNECTOR 12V RECEPT	1				

* NOT ILLUSTRATED

48" SIDE DISCHARGE

FIGURE 11



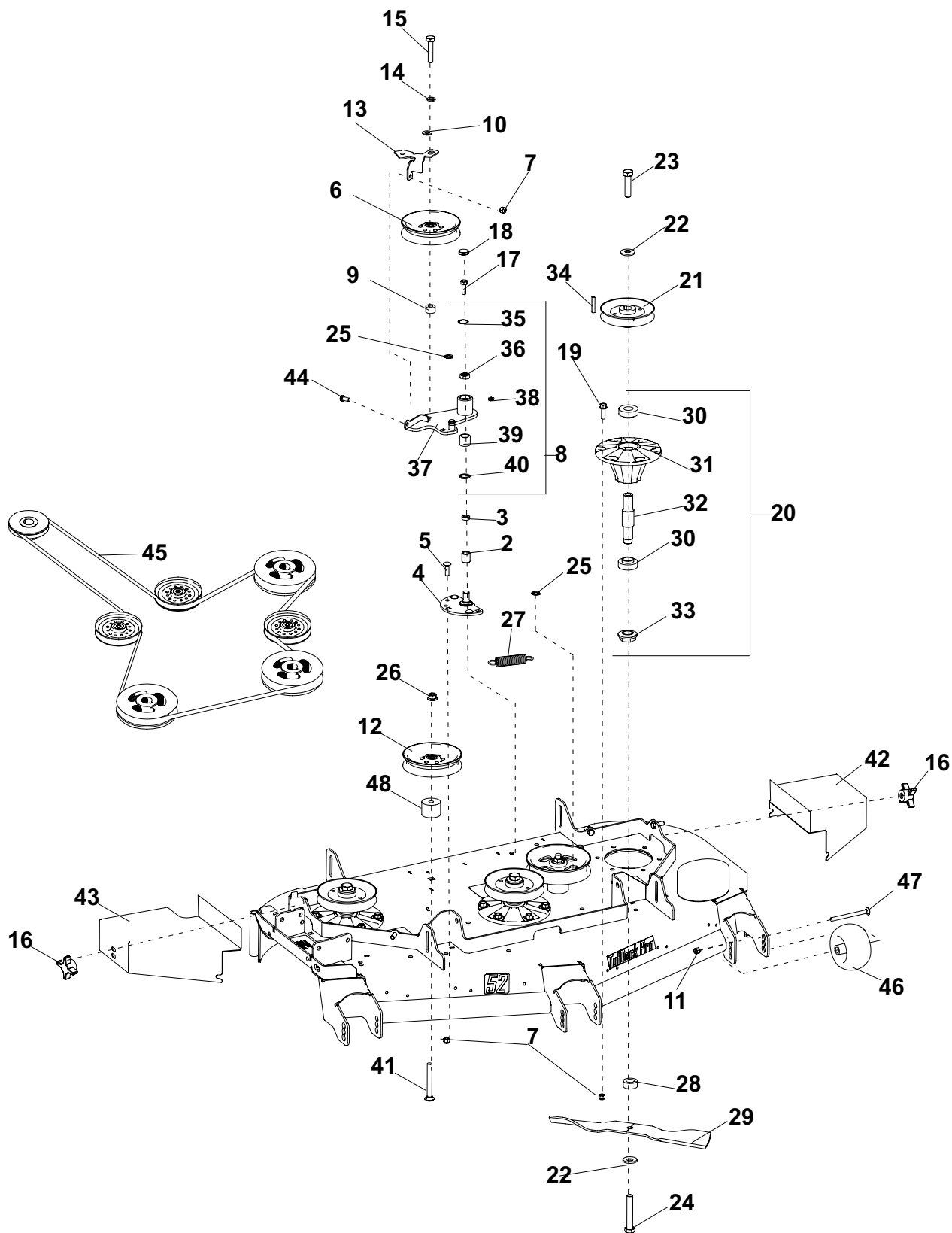
48" SIDE DISCHARGE

FIGURE 11

ITM	PART NO.	DESCRIPTION	QTY	ITM	PART NO.	DESCRIPTION	QTY
1	4178946	S-48 DECK W/ LABELS	1	41	64018-21	BLT-CRG 1/2-13X4	2
2	4163155	INNER RING	1	42	4173223.46	COVER-BELT 48 LH	1
3	4163014	SPACER	1	43	4173222.46	COVER-BELT 48 RH	1
4	4170021.46	WLDMT-IDLER PIN	1	44	64123-15	BLT-HEX 3/8-16X3/4	1
5	64018-44	BLT-CRG 3/8-16X1 SN	3	45	4169566	BELT-DECK, 48"	1
6	4176803	PULLEY-IDLER, 5.50	1	46	2721512	ROLLER-5 X2.75 CENTERED	3
7	64229-03	NUT-NYLON LOCK 3/8-16	22	47	4172885-1	BOLT-ANTI-SCALP ROLLER	3
8	4178918	ASSY-IDLER ARM	1	48	4152578-04	SPACER-2 X .516 X 1.81	2
(INCLUDES ITEMS 35-40)							
9	4163802-04	SPACER-1.0 X .516 X 1	1				
10	64163-67	WASHER-2 X .516 X 1.07	1				
11	64229-05	NUT-NYLON LOCK 1/2-13	3				
12	4176836	PULLEY, IDLER 5.50	2				
13	4175480.46	GUIDE-BELT IDLER	1				
14	64006-05	LOCKWSHR-1/2 HELICAL	1				
15	64123-305	BLT-HEX 1/2-20X3	1				
16	38524	KNOB-4 PRONG 3/8-16	2				
17	64270-02	BOLT-HEX M10-1.5X30	1				
18	4128002	END CAP	1				
19	64262-012	BLT-FLG HD 3/8-16 X 1-1/4	18				
20	4171231	ASSY-CUTTERDECK SPINDLE	3				
(INCLUDES ITEMS 30-33)							
21	4168381	SHEAVE-5.30 EOD DP GRV	3				
22	64209-03	SPRING WASHER.67 ID	6				
23	64123-108	BLT-HEX 5/8-18X2-1/2	3				
24	64123-187	BLT-HEX 5/8-18 X 3 3/4	3				
25	64144-36	SNAP RING .625	2				
26	64268-05	NUT-FL NYLON LOCK 1/2-13	2				
27	2308133	SPRING-EXTENSION	1				
28	4118314	SPACER-BLADE	3				
29	112111-01	BLADE 16.25 OFFST HLFT	3				
30	4167554-01	BEARING-SPINDLE SEALED	6				
31	4164948	HOUSING-SPINDLE 6 HOLE	3				
32	2183070-02	SHAFT-SPINDLE LONG	3				
33	38315	NUT-SPINDLE	3				
34	64164-13	KEY 1/4 X 2 SQ	3				
35	64144-40	SNAP RING	1				
36	4128004	BEARING	1				
37	4178918	WLDMT-IDLER ARM	1				
38	85010N	ZERK-1/4-28	1				
39	548138	BRGNDL.88 1.12 1.00 OPEN END	1				
40	521438	GREASE SEAL	1				

52" SIDE DISCHARGE

FIGURE 12



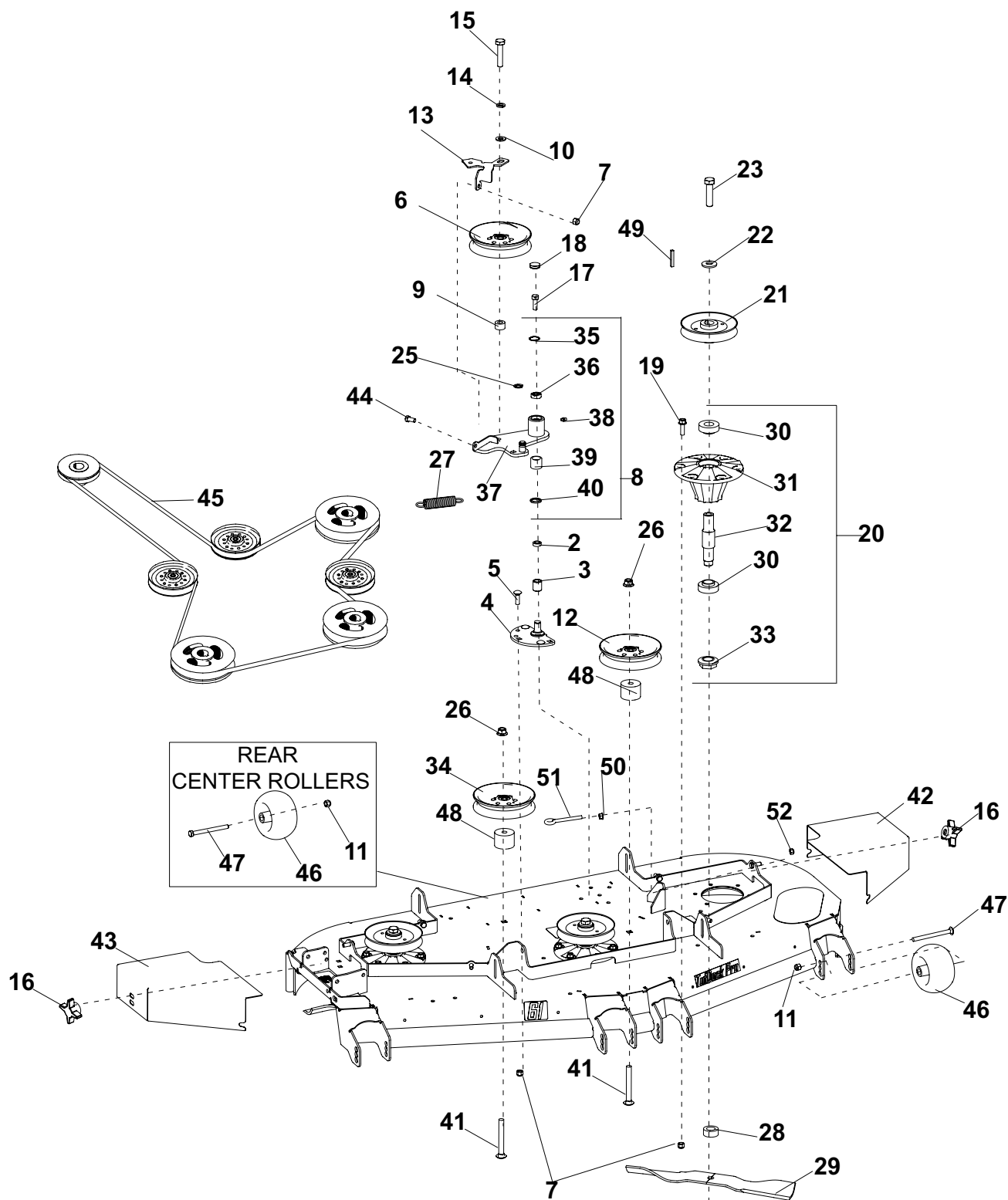
52" SIDE DISCHARGE

FIGURE 12

ITM	PART NO.	DESCRIPTION	QTY	ITM	PART NO.	DESCRIPTION	QTY
1	4178945	S-52 DECK W/ LABELS	1	44	64123-15	BLT-HEX 3/8-16X3/4	1
2	4163155	INNER RING	1	45	4169640	BELT-DECK, 52"	1
3	4163014	SPACER	1	46	2721512	ROLLER-5 X2.75 CENTERED	3
4	4170021.46	WLDMT-IDLER PIN	1	47	4172885-1	BLT-SHOULDER ANTI-SCALP	3
5	64018-44	BLT-CRG 3/8-16X1 SN	3	48	4152578-04	SPACER-2 X .516 X 1.81	2
6	4176803	PULLEY, IDLER 5.50	1				
7	64229-03	NUT-NYLON LOCK 3/8-16	23				
8	4178918	ASSY-IDLER ARM	1				
		(INCLUDES ITEMS 35-40)					
9	4163802-04	SPACER-1.0 X .516 X 1	1				
10	64163-67	WASHER-2 X .516 X 1.07	1				
11	64229-05	NUT-NYLON LOCK 1/2-13	3				
12	4176836	PULLEY, IDLER 5.50	2				
13	4175480.46	GUIDE-BELT IDLER	1				
14	64006-05	LOCKWSHR-1/2 HELICAL	1				
15	64123-305	BLT-HEX 1/2-20X3	1				
16	38524	KNOB-4 PRONG 3/8-16	2				
17	64270-02	BOLT-HEX M10-1.5X30	1				
18	4128002	END CAP	1				
19	64262-012	BLT-FLG HD 3/8-16 X 1-1/4	18				
20	4171231	ASSY-CUTTERDECK SPINDLE	3				
		(INCLUDES ITEMS 30-33)					
21	4168381	SHEAVE- 5.30 EOD DP GRV	3				
22	64209-03	SPRING WASHER.67 ID	6				
23	64123-108	BLT-HEX 5/8-18X2-1/2	3				
24	64123-187	BLT-HEX 5/8-18 X 3 3/4	3				
25	64144-36	SNAP RING .625	2				
26	64268-05	NUT-FL NYLON LOCK 1/2-13	2				
27	2308133	SPRING-EXTENSION	1				
28	4118314	SPACER-BLADE	3				
29	112111-02	BLADE 18.00 OFFST HLFT	3				
	112111-02-LE	BLADE 18.00 LAZER EDGE (OPT)					
30	4167554-01	BEARING-SPINDLE SEALED	6				
31	4164948	HOUSING-SPINDLE 6 HOLE	3				
32	2183070-02	SHAFT-SPINDLE LONG	3				
33	38315	NUT-SPINDLE	3				
34	64164-13	KEY 1/4 X 2 SQ	3				
35	64144-40	SNAP RING	1				
36	4128004	BEARING	1				
37	4178918	WLDMT-IDLER ARM	1				
38	85010N	ZERK-1/4-28	1				
39	548138	BRGNDL88 1.12 1.00 OPEN END	1				
40	521438	GREASE SEAL	1				
41	64018-21	BLT-CRG 1/2-13X4	2				
42	4169305.46	COVER-BELT 52 LH	1				
43	4179687.46	COVER-BELT 52 RH	1				

61" SIDE DISCHARGE

FIGURE 13



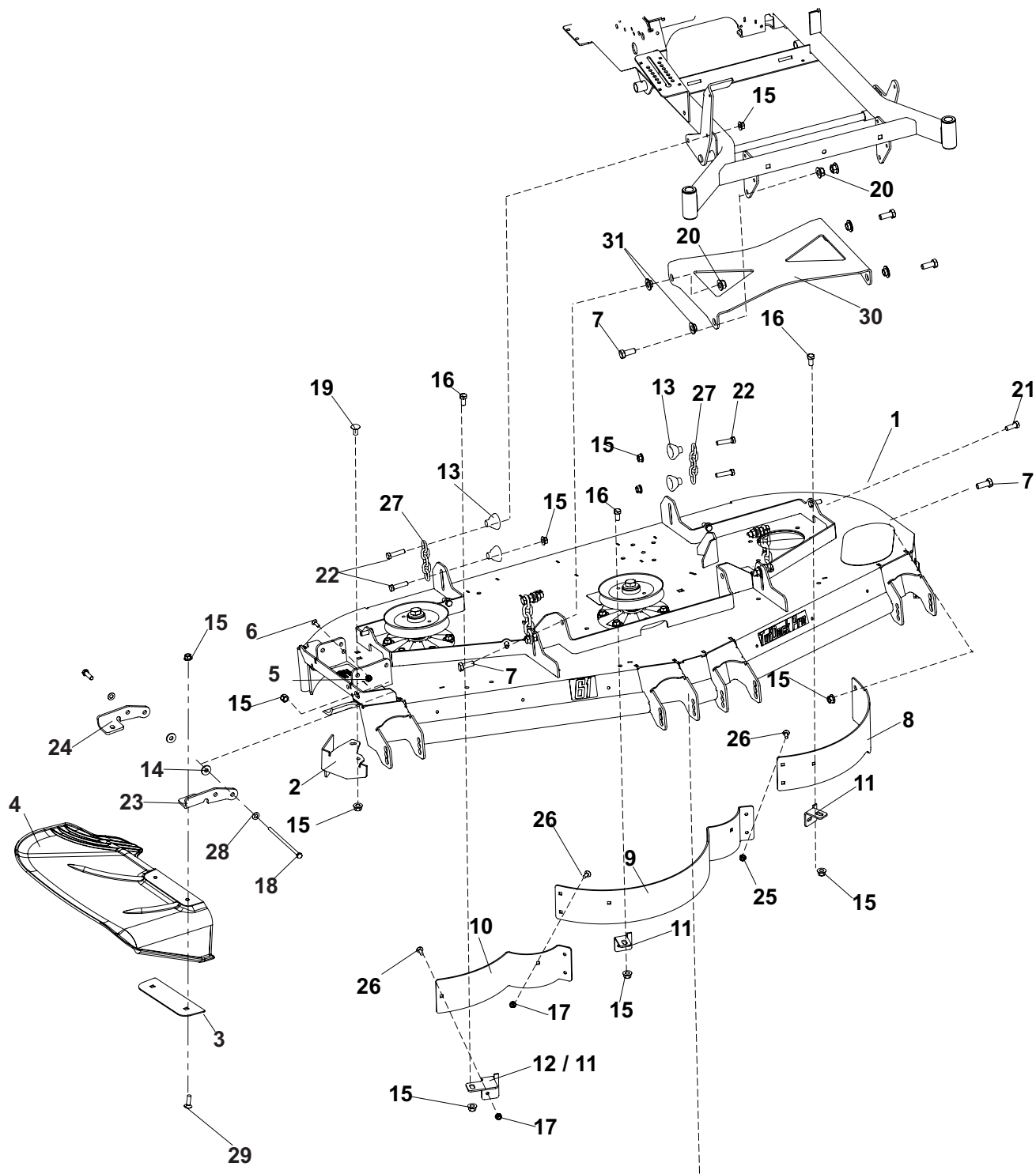
61" SIDE DISCHARGE

FIGURE 13

ITM	PART NO.	DESCRIPTION	QTY	ITM	PART NO.	DESCRIPTION	QTY
1	4178944	S-61 DECK W/ LABELS	1	44	64123-15	BLT-HEX 3/8-16X3/4	1
2	4163155	INNER RING	1	45	4163569	BELT-DECK, 61"	1
3	4163014	SPACER	1	46	2721512	ROLLER-5 X2.75 CENTERED	6
4	4170021.46	WLDMNT-IDLER PIN	1	47	4172885-1	BLT-SHOULDER, ANTI SCALP	6
5	64018-44	BLT-CRG 3/8-16X1 SN	3	48	4152578-04	SPACER-2.0 X .516 X 1.81	2
6	4176803	PULLEY-IDLER 5.50	1	49	64164-13	KEY 1/4 X 2 SQ	3
7	64229-03	NUT-NYLON LOCK 3/8-16	22	50	64141-6	NUT-WLF 5/16-18	1
8	4178918	ASSY-IDLER ARM (INCLUDES ITEMS 35-40)	1	51	64158-08	EYE BOLT 5/16-18 X 2.5	1
9	4163802-04	SPACER-1.0 X .516 X 1	1	52	64229-02	NUT-NYLON LOCK 5/16-18	1
10	64163-67	WASHER-.531 x 2.00 x .125	1				
11	64229-05	NUT-NYLON LOCK 1/2-13	2				
12	4176836	PULLEY, IDLER 5.50	1				
13	4175480.46	GUIDE-BELT IDLER	1				
14	64006-05	LOCKWSHR-1/2 HELICAL	1				
15	64123-305	BLT-HEX 1/2-20X3	1				
16	38524	KNOB-4 PRONG 3/8-16	2				
17	64270-02	BOLT-HEX M10-1.5X30	1				
18	4128002	END CAP	1				
19	64262-012	BLT-FLG HD 3/8-16 X 1-1/4	18				
20	4171231	ASSY-CUTTERDECK SPINDLE (INCLUDES ITEMS 30-33)	3				
21	4167735	PULLEY-SPINDLE, 61IN	3				
22	64209-03	SPRING WASHER.67 ID	6				
23	64123-108	BLT-HEX 5/8-18X2-1/2	3				
24	64123-187	BLT-HEX 5/8-18 X 3 3/4	3				
25	64144-36	SNAP RING .625	1				
26	64268-05	NUT-FL NYLON LOCK 1/2-13	2				
27	4163586	SPRING-EXTENSION	1				
28	4118314	SPACER-BLADE	3				
29	112111-03	BLADE 21.00 OFFST HLFT	3				
	112111-03-LE	BLADE 21.00 LAZER EDGE (OPT)					
30	4167554-01	BEARING-SPINDLE SEALED	6				
31	4164948	HOUSING-SPINDLE 6 HOLE	3				
32	2183070-02	SHAFT-SPINDLE LONG	3				
33	38315	NUT-SPINDLE	3				
34	4165953	PULLEY-IDLER 6.0	1				
35	64144-40	SNAP RING	1				
36	4128004	BEARING	1				
37	4178918	WLDMT-IDLER ARM	1				
38	85010N	ZERK-1/4-28	1				
39	548138	BRGNDL.88 1.12 1.00 OPEN END	1				
40	521438	GREASE SEAL	1				
41	64018-21	BLT-CRG 1/2-13X4	2				
42	4169309.46	COVER-BELT 61 LH	1				
43	4179688.46	COVER-BELT 61 RH	1				

CHUTE, BAFFLES, EDGES, & DECK LINKS

FIGURE 14



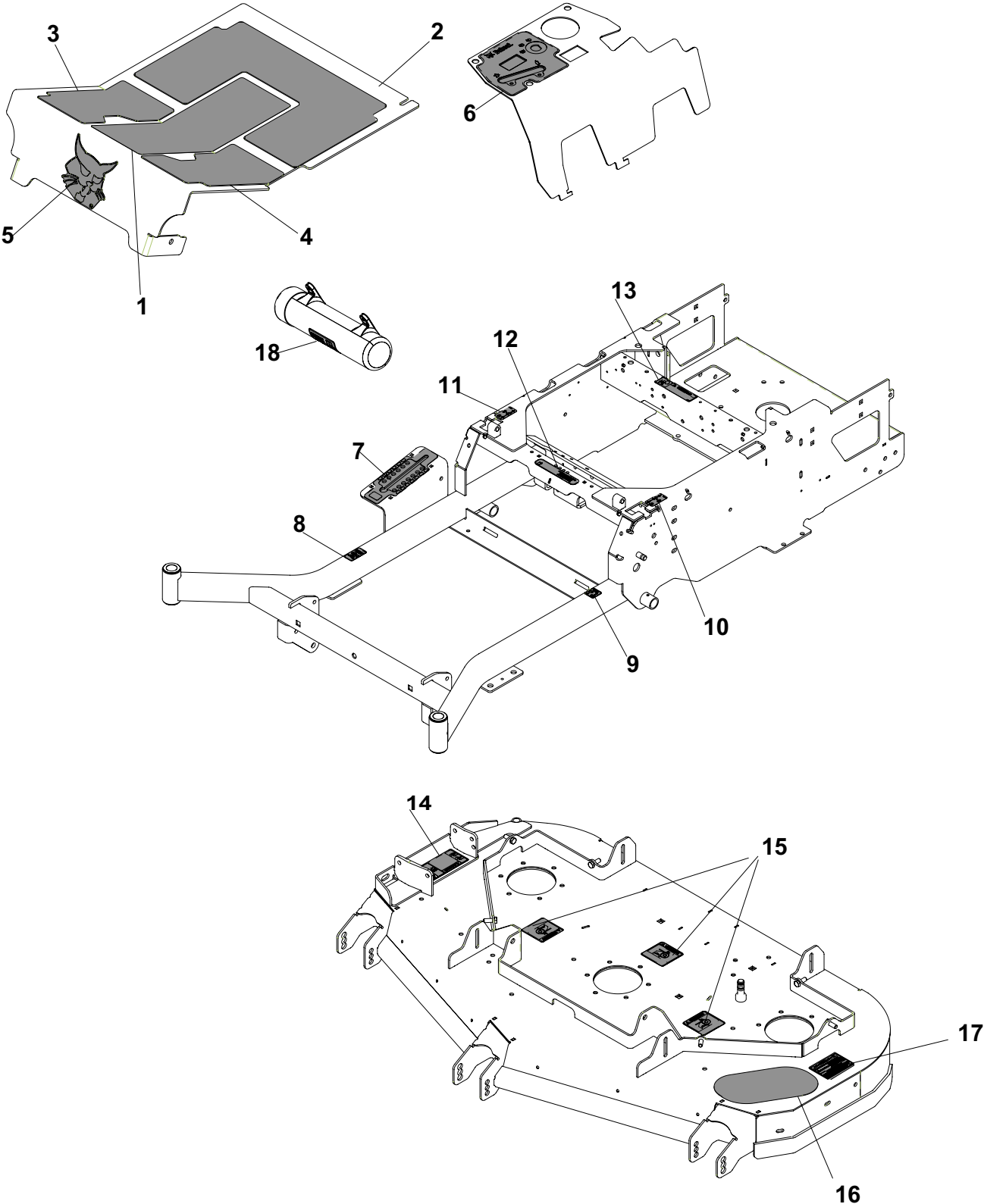
CHUTE, BAFFLES, EDGES, & DECK LINKS

FIGURE 14

ITM	PART NO.	DESCRIPTION	QTY	ITM	PART NO.	DESCRIPTION	QTY
1	4178946	S-DECK W/LABELS, BN 48IN	1	12	4168515.46	BRKT-BAFFLE MNTG, RH 52"	1
	4178945	S-DECK W/LABELS, BN 52IN			4168487.46	BRKT-BAFFLE MNTG, RH 61"	
	4178944	S-DECK W/LABELS, BN 61IN					
2	4173420.46	BAFFLE-DISCHARGE, 48"&52"	1	13	4178684	SPCR-DECK HANGING	4
	4171432.46	BAFFLE-DISCHARGE, 61"		14	4169895	WSHR-FRICTION, UHMW	2
3	4173063.46	PLATE-CHUTE	1	15	64268-03	NUT-FL NYLON LOCK 3/8-16	13
4	4172328	CHUTE-PLASTIC	1	16	64123-15	BLT-HEX 3/8-16X3/4	3
5	64229-03	NUT-NYLON LOCK 3/8-16	1	17	64268-01	NUT-FL NYLON LOCK 1/4-2	3
6	64189-28	BLT-HEX SOC, 3/8-16 X 3/4	1	18	64123-16	BLT-HEX 3/8-16X1-1/4	2
7	64123-39	BLT-HEX 1/2-13X1-1/4	4	19	64018-23	BLT-CRG 3/8-16X3/4 SHRTNK	2
8	4165971.46	BAFFLE-FRONT LH 48"	1	20	64268-05	NUT-FL NYLON LOCK 1/2-13	4
	4165965.46	BAFFLE-FRONT LH 52"		21	64123-50	BLT-HEX 3/8-16X1	1
	4165968.46	BAFFLE-FRONT LH 61"		22	64262-018	BLT-FLG HD 3/8-16 X 1-3/4	8
9	4165972.46	BAFFLE FRONT CENTER, 48"	1	23	4177411.46	BRKT-CHUTE, FRONT	1
	4165966.46	BAFFLE-FRONT CENTER, 52"		24	4177410.46	BRKT-CHUTE, REAR	1
	4168642.46	BAFFLE-FRONT CENTER, 61"		25	64229-01	LOCKNUT-1/4-20 NYLON	4
10	4168527.46	BAFFLE-FRONT, RH 48"	1	26	64018-2	BLT-CRG 1/4-20X3/4	7
	4168516.46	BAFFLE-FRONT, RH 52"		27	2188127	CHAIN-6.35 (.250) 5 LINKS	4
	4171792.46	BAFFLE-FRONT, RH 61"		28	4169871	WASHER-BELLVILLE,.382 ID	2
11	4168514.46	BRKT-BAFFLE MNTG, 48" &52" (9993001 QTY 3, 9993002 QTY 2)		29	64018-49	BLT-CRG 3/8-16X1-1/2	2
	4168523.46	BRKT-BAFFLE MNTG 61"	2	30	4175098.46	BRKT-PULLARM	1
				31	4175019	SPACER-PULL ARM	4

DECALS

FIGURE 15



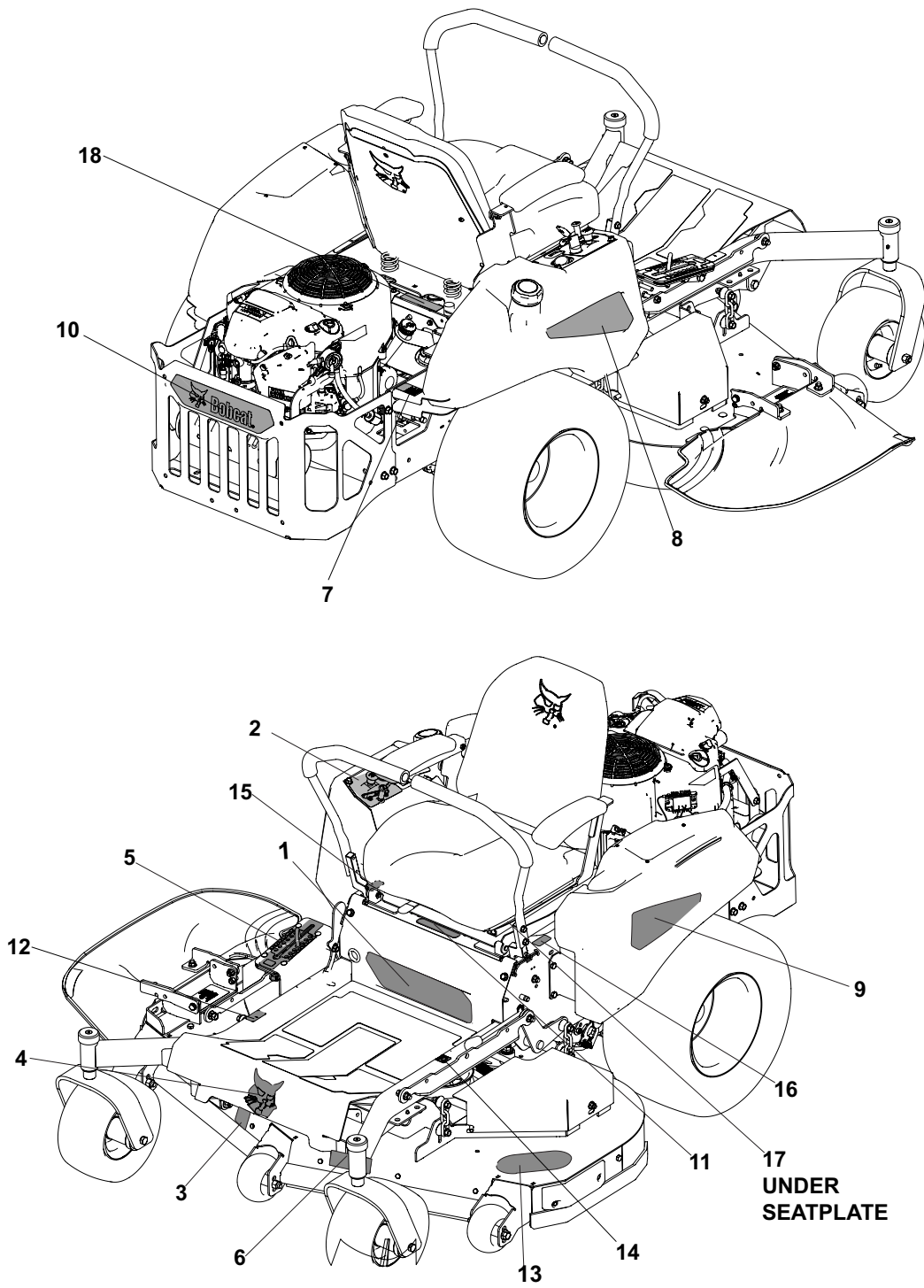
DECALS

FIGURE 15

ITM	PART NO.	DESCRIPTION	QTY	ITM	PART NO.	DESCRIPTION	QTY
1	4165610	LABEL-WARNING	1				
2	4165931	MAT-FOOTPLT LOWER	1				
3	4167087	MAT-FOOTPLT UPPER RH	1				
4	4167088	MAT-FOOTPLT UPPER LH	1				
5	4178634	LABEL-LARGE CAT	1				
6	4178922	LABEL-CONTROL PANEL	1				
7	4169639	LABEL-HOC	1				
8	4177522	LABEL-DECK LIFT	1				
9	4167203	LABEL-PARKING BRAKE	1				
10	4165616	LABEL-LH TRACTION	1				
11	4165615	LABEL-RH TRACTION	1				
12	4168517	LABEL-MANUAL LOCATION	1				
13	2000590	LABEL-WARN BATTERY	1				
14	4164269	LABEL-DANGER/WARNING	1				
15	2000577	LABEL, WARNING	3				
16	4178563	MAT-DECK STEP	1				
17	4176807	LABEL-PROP 65	1				

DECALS

FIGURE 16



DECALS

FIGURE 16

ITM	PART NO.	DESCRIPTION	QTY	ITM	PART NO.	DESCRIPTION	QTY
1	4178887	LABEL-ZT3000	1				
2	4178922	LABEL-CONTROL PANEL	1				
2	2000570	LABEL-WARN FUEL PICT.	2				
3	4162914	LABEL-DECK SIZE 48"	1				
	4162915	LABEL-DECK SIZE 52"					
	4162916	LABEL-DECK SIZE 61"					
4	4178634	LABEL-LARGE CAT	1				
5	4169639	LABEL-HOC	1				
6	4179349	LABEL-TUFDECK	1				
7	2000570	LABEL-WARN FUEL PICT	1				
8	4178890	LABEL-FUEL TANK, RH SML	1				
9	4178891	LABEL-FUEL TANK, LH SML	1				
10	4178637	LABEL-BOBCAT, 15X3	1				
11	4168517	LABEL-MANUAL LOCATION	1				
12	4177522	LABEL-DECK LIFT	1				
13	4178563	MAT-DECK STEP	1				
14	4167203	LABEL-PARKING BRAKE	1				
15	4165615	LABEL-RH TRACTION	1				
16	4165616	LABEL-LH TRACTION	1				
17	4171663	LABEL BELT DIAGRAM (LOCATED ON BOTTOM OF SEAT PLATE)	1				
18	2000590	LABEL-WARN BATTERY	1				

Bobcat® and the Bobcat logo are trademarks of Bobcat Company in the United States and various other countries.

**BOBCAT COMPANY
ONE BOBCAT LANE
P.O. BOX 469
JOHNSON CREEK, WI 53038
920-699-2000
www.Bobcat.com**

2020© Bobcat Company. All rights reserved.