



2021 KG Pro

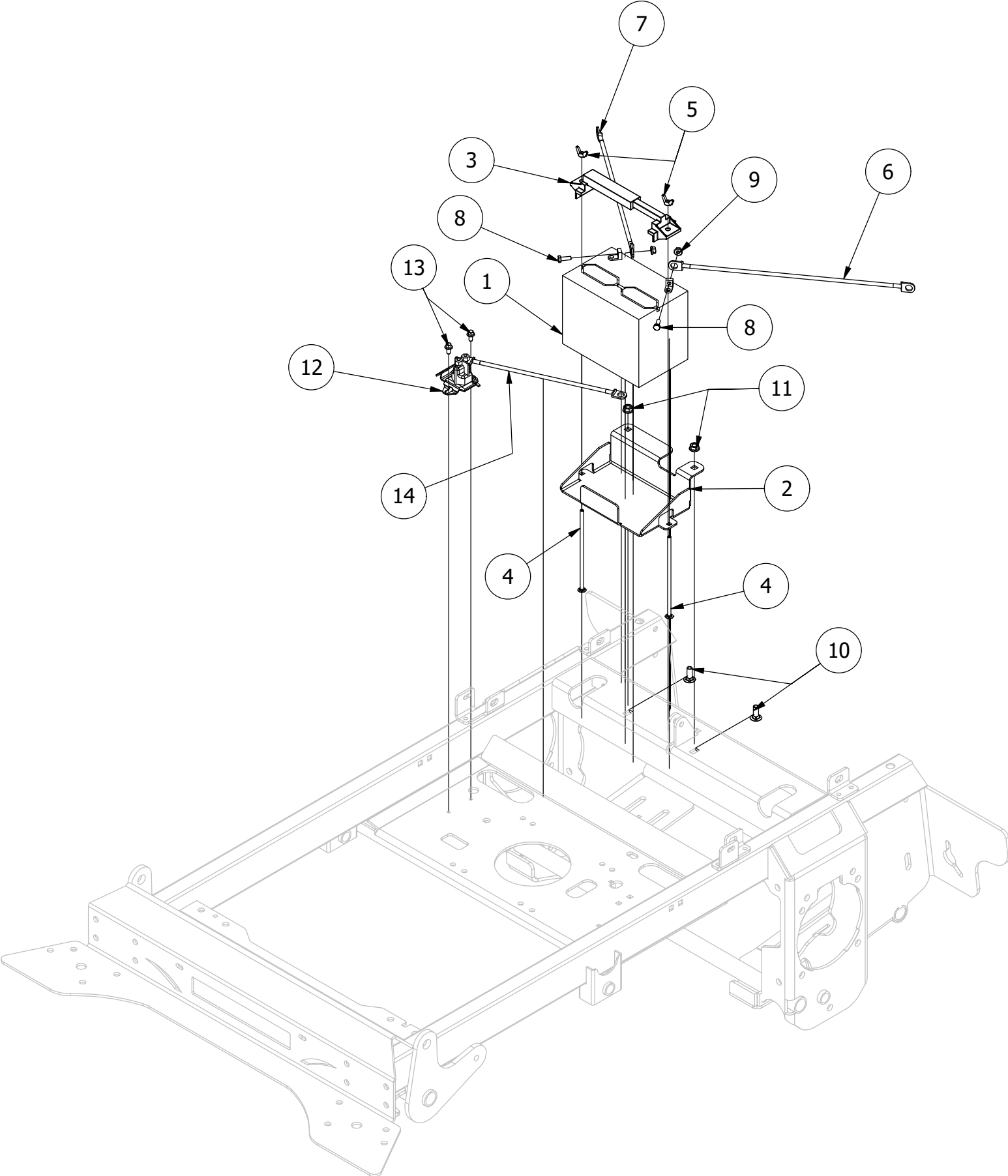
Parts Manual

Table of Contents

FRONT FORKS ASSEMBLY	3-4
BATTERY ASSEMBLY	5-6
DRIVE ARM ASSEMBLY	7-8
GAS TANK ASSEMBLY	9-10
DECK HEIGHT ADJUSTER ASSEMBLY.....	11-12
CONSOLE, THROTTLE, AND BRAKE LEVER ASSEMBLY	13-14
FOOT PLATE AND KNEE REST ASSEMBLY	15-16
54" DECK ASSEMBLY.....	17-20
61" DECK ASSEMBLY.....	21-24
DECK CHUTE ASSEMBLY.....	25
IDLER PULLY ASSEMBLY	26-27
TRANSMISSION ASSEMBLY	28-29
KAWASAKI FT730 ENGINE ASSEMBLY	30
DECALS	31

PARTS LIST			
ITEM	QTY	PART NUMBER	DESCRIPTION
1	1	490-0436-02	Stand On Right Caster Support Assembly (61)
2	1	490-0437-02	Stand On Left Caster Support Assembly (61)
3	1	490-0439-02	Stand On Right Caster Support Assembly(54)
4	1	490-0442-02	Stand On Left Caster Support Weldment (54)
5	8	418-0266-00	7/16-14 X 1 1/4 HEX FLANGE BOLT (GR.8) ZC/YEL
6	8	418-0099-00	7/16-14 X 1 HEX FLANGE BOLT (GR.8) ZC/YEL
7	16	413-0011-00	7/16-14 HEX FLANGE NUT W/SERR ZINC YELLOW
8	4	410-0006-00	1" INSERT BEARING
9	2	426-0006-00	Mower Caster Shaft Washer
10	2	425-0011-00	Caster Fork Shaft Bearing Spacer
11	2	418-0003-00	1/2-13 X 8-1/2 HEX C/S GR 5 ZINC YELLOW
12	2	413-0002-00	1/2-13 NYLON INSERT FLANGE LOCKNUT ZC YELLOW
13	2	425-0010-00	Mower Caster Fork Wheel Spacer
14	4	410-0014-00	Mower Caster Wheel Bearing
15	2	423-0001-00	RT&SRT Caster Wheel Fork 2018
16	2	437-0019-00	RT&SRT Mower Caster Wheel Shaft 2018
17	2	413-0063-00	1"-8 FIN HEX JAM NUT ZC
18	2	419-0024-00	1" L/W MED SPLIT ZC
19	2	419-0025-00	Front Fork Caster Top Washer
20	2	422-0042-00	Spartan Radial Tire Wheel Assembly 2018
21	2	422-0027-00	RZ/RT Pro Front Tire Assembly-Smooth Tread
22	2	419-0003-00	1/2 FENDER WASHER 1-1/4" OD ZINC
23	2	418-0002-00	1/2-20 X 1-1/4 HEX FLANGE BOLT GR 8 ZC YELLOW

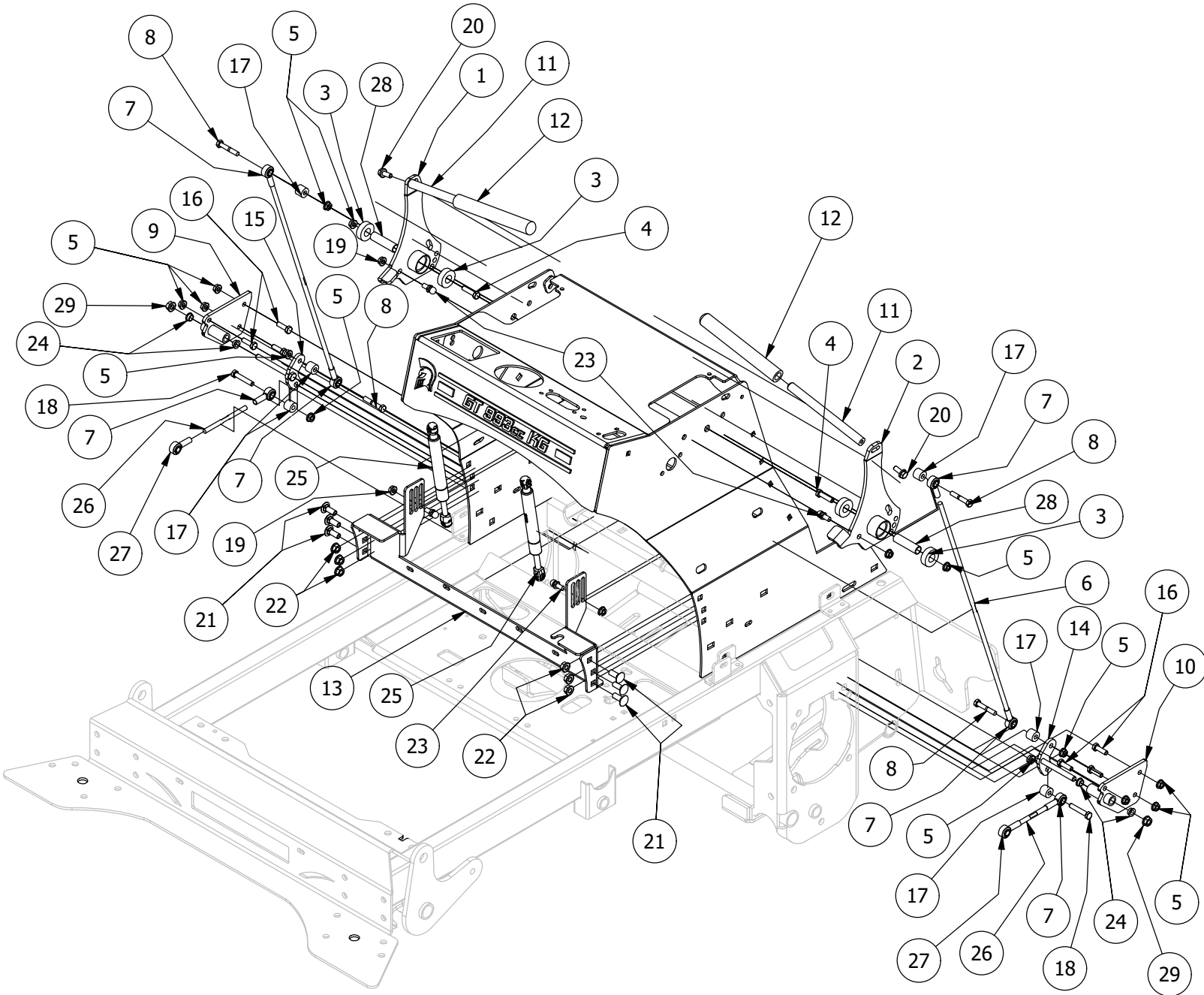
Battery Assembly



PARTS LIST

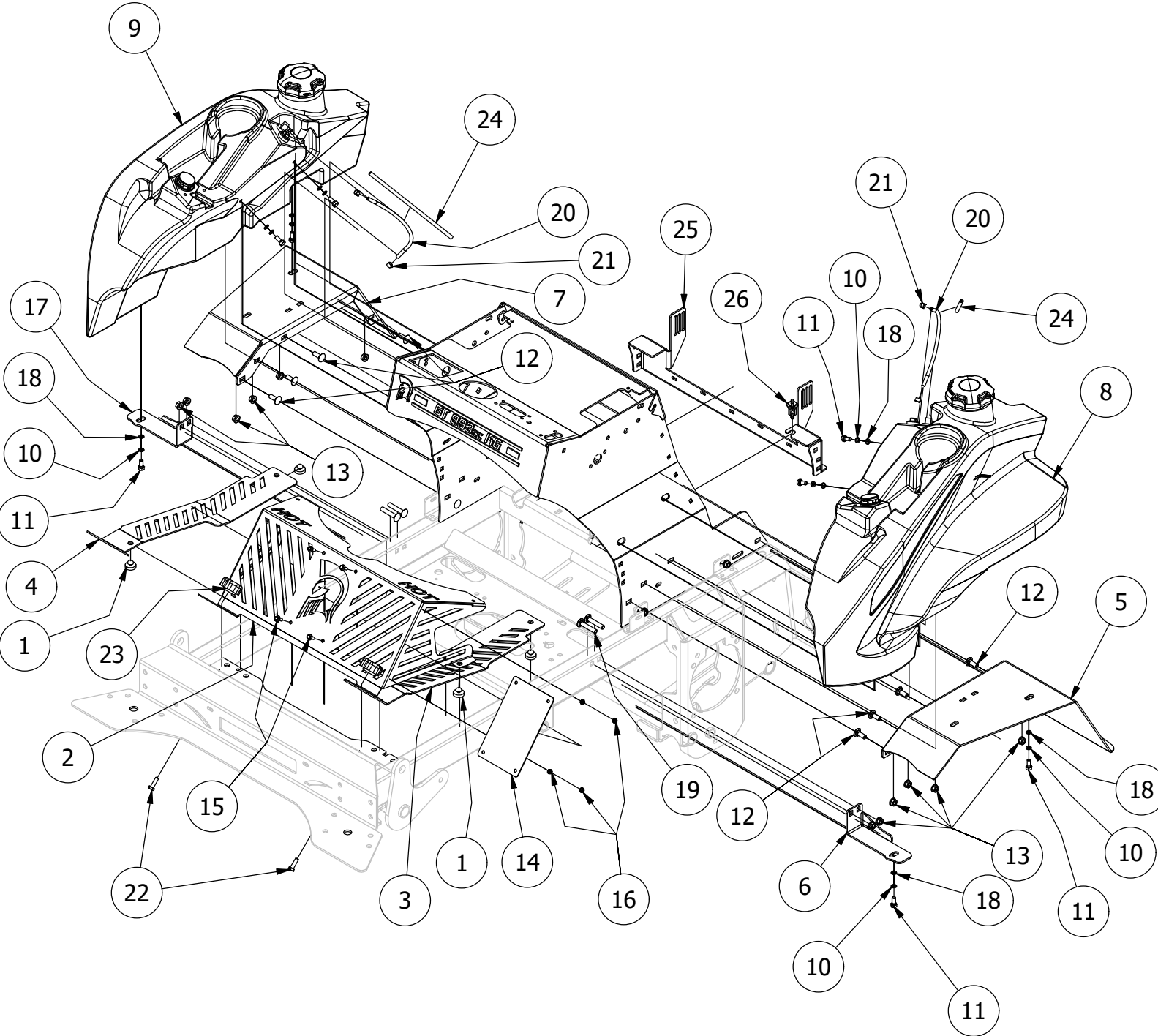
ITEM	QTY	PART NUMBER	DESCRIPTION
1	1	468-1004-00	12-V Mower Starter Battery
2	1	439-0657-00	Stand On Mower Battery Box
3	1	443-0001-00	Battery Hold Down
4	2	418-0034-00	1/4-20 X 7 CARRIAGE BOLT ZINC
5	2	413-0025-00	1/4-20 WING NUT ZINC
6	1	486-0048-00	Stand-On Positive Battery Cable; 16"
7	1	486-0049-00	Stand-On Negative Battery Cable; 14"
8	2	418-0035-00	1/4-20 X 3/4 HEX C/S GR 2 ZINC
9	2	413-0026-00	1/4-20 NYLON INSERT FLANGE L/NUT ZINC
10	2	418-0045-00	3/8-16 X 1 Carriage Bolt Zinc Yellow
11	2	413-0020-00	3/8-16 HEX FLANGE NUT W/SERR ZINC YELLOW
12	1	486-0006-00	Mower Starter Solenoid
13	2	418-0059-00	1/4-20 X 1/2 IND. HWH SLOT F TCS ZINC
14	1	486-0018-00	Mower Start Wire, 12

Drive Arm Assembly



Drive Arm Assembly			
ITEM	QTY	PART NUMBER	DESCRIPTION
1	1	490-0429-02	Stand On Left Drive Arm Bracket Assembly
2	1	490-0430-02	Stand On Right Drive Arm Bracket Assembly
3	4	410-0005-00	5/8" ID X 1-3/8" OD X 7/16" THK BEARING
4	2	418-0109-00	5/16- 18 x 1 1/4 Hex C/S (GR.8) ZC/Yel
5	14	413-0027-00	5/16-18 NYLON INSERT FLANGE LOCKNUT ZC YELLOW
6	2	435-0030-00	Stand On Upper Drive Rod (Long)
7	6	410-0071-00	5/16-24 SPHERICAL ROD END ZINC RIGHT HAND THD FEMALE
8	4	418-0027-00	5/16-18 X 1-3/4 HEX C/S GR 2 ZINC
9	1	490-0426-00	Stand On Right Lower Drive Arm Pivot Assembly
10	1	490-0427-02	Stand On Left Lower Drive Arm Pivot Assembly
11	2	435-0027-00	Stand On Drive Handle Rod
12	2	484-0003-00	Stand Up Mower Drive Arm Grip
13	1	439-0679-00	Stand On drive arm gas shock mount bracket
14	1	490-0454-02	Stand on Drive Arm pivot Bolt Assembly Left side
15	1	490-0455-02	Stand on Drive Arm Pivot Bolt Assembly Right Side
16	6	418-0108-00	5/16 x1 Hex C/S (GR8) ZC/Yel
17	6	425-0030-00	Stand On Drive arm pivot spacer
18	2	418-0024-00	5/16-18 X 1-3/4 HEX C/S GR 5 ZINC
19	4	413-0022-00	5/16-18 HEX FLANGE NUT W/SERR ZINC YELLOW
20	2	418-0048-00	5/16-18 X 3/4 HEX FLANGE BOLT GR 8 ZC YELLOW
21	6	418-0045-00	3/8-16 X 1 Carriage Bolt Zinc Yellow
22	6	413-0020-00	3/8-16 HEX FLANGE NUT W/SERR ZINC YELLOW
23	4	487-0005-00	Control Arm Damper Ball Stud
24	4	410-0067-00	Bronze Bushing
25	2	487-0011-00	Stand-On Mower Control Handle Damper
26	2	435-0031-00	Stand on Bottom Transmission Drive Arm Rod
27	2	410-0070-00	5/16-24 SPHERICAL ROD END ZINC LEFT HAND THD FEMALE
28	2	425-0004-00	Mower Drive Arm Hub & Deck Lift Arm Spacer
29	2	413-0029-00	3/8-16 NYLON INSERT FLANGE L/NUT ZC YELLOW

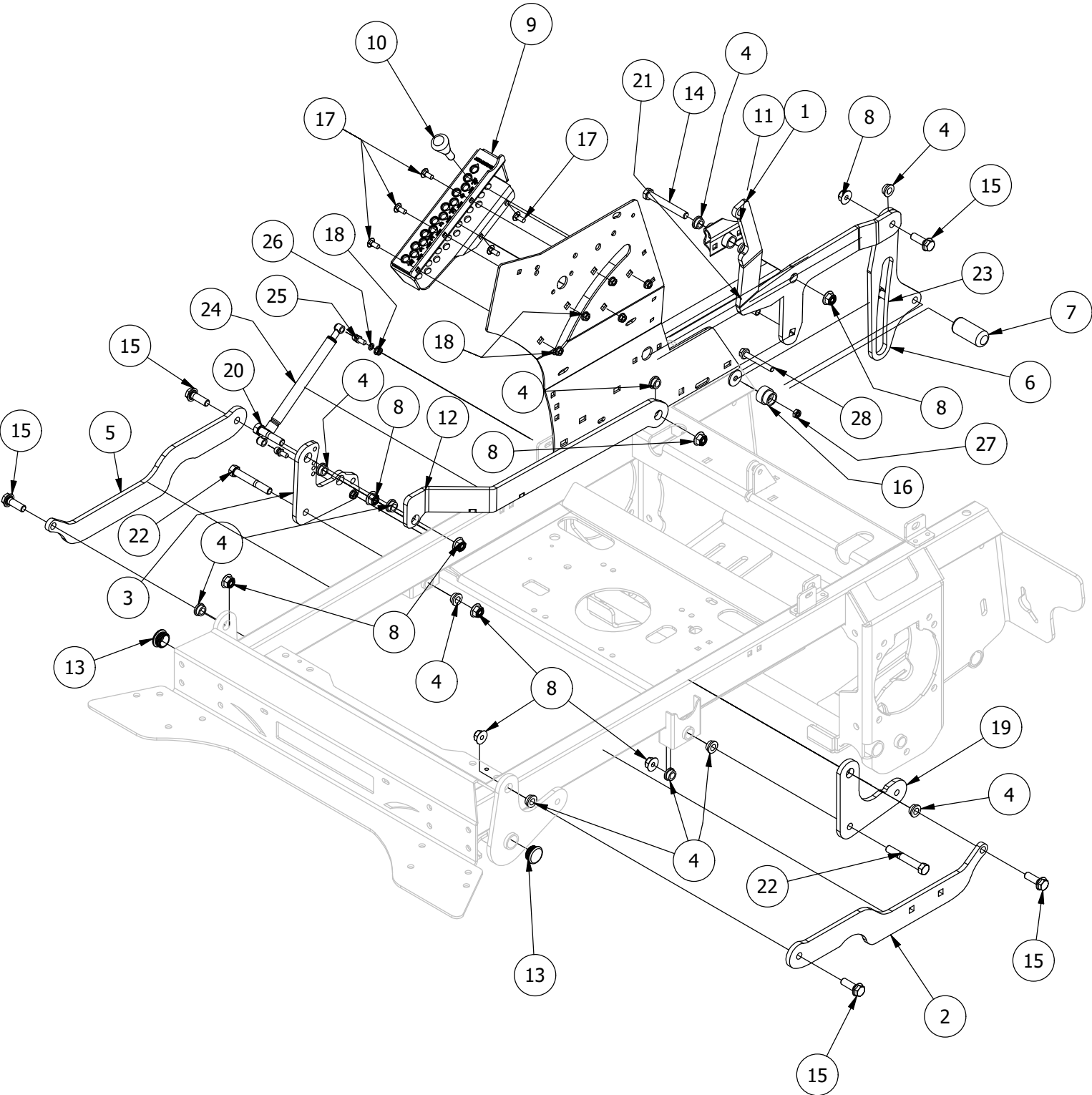
Gas Tank Assembly



Gas Tank Assembly

ITEM	QTY	PART NUMBER	DESCRIPTION
1	8	429-0002-00	Push-In Rubber Bumper, Mower Floor
2	1	439-0664-00	Stand On Muffler Heatshield
3	1	439-0683-00	Stand On Belt Cover Left Side
4	1	439-0682-00	Stand On Belt Cover Right Side
5	1	439-0652-00	Stand On Fender Left Side
6	1	439-0677-00	Stand On Fuel Tank Bracket Left Side
7	1	439-0653-00	Stand On Fender Right Side
8	1	467-0027-00	Stand On Left Side Gas Tank Assembly
9	1	467-0026-00	Stand On Right Side Gas Tank Assembly
10	10	419-0009-00	5/16 SPLIT LOCKWASHER ZINC
11	8	418-0054-00	5/16-18 X 3/4 HEX C/S ZINC
12	12	418-0045-00	3/8-16 X 1 Carriage Bolt Zinc Yellow
13	16	413-0020-00	3/8-16 HEX FLANGE NUT W/SERR ZINC YELLOW
14	1	426-0467-00	Stand On Muffler Heat Shield Backer Plate (Orange)
15	4	418-0076-00	M6-1.0 X 16MM HEX FLANGE BOLT ZINC YELLOW
16	4	413-0070-00	M6-1.0 DIN 985 NYL INS (CL. 10) L/N ZC/Y
17	1	439-0678-00	Stand On Fuel Tank Bracket Right Side
18	8	419-0007-00	5/16 Flat Washer
19	4	418-0033-00	3/8-16 X 2 CARRIAGE BOLT ZINC
20	2	751-1014-00	1/4 Fuel Line - Low Perm
21	4	472-0004-00	1/2" (#8) Hose Clamp
22	2	418-0108-00	5/16 x1 Hex C/S (GR8) ZC/Yel
23	2	445-0005-00	5/16-18 5-LOBE (STAR) FEMALE SOFT TOUCH KNOB (1.90 DIA) BLK
24	2	451-0002-00	Mower Fuel Tank Black 3/16" Vent Tube
25	1	439-0679-00	Stand On drive arm gas shock mount bracket
26	1	467-0030-00	Stand-On Fuel Selector/Shut Off Valve(Dapco 13667)

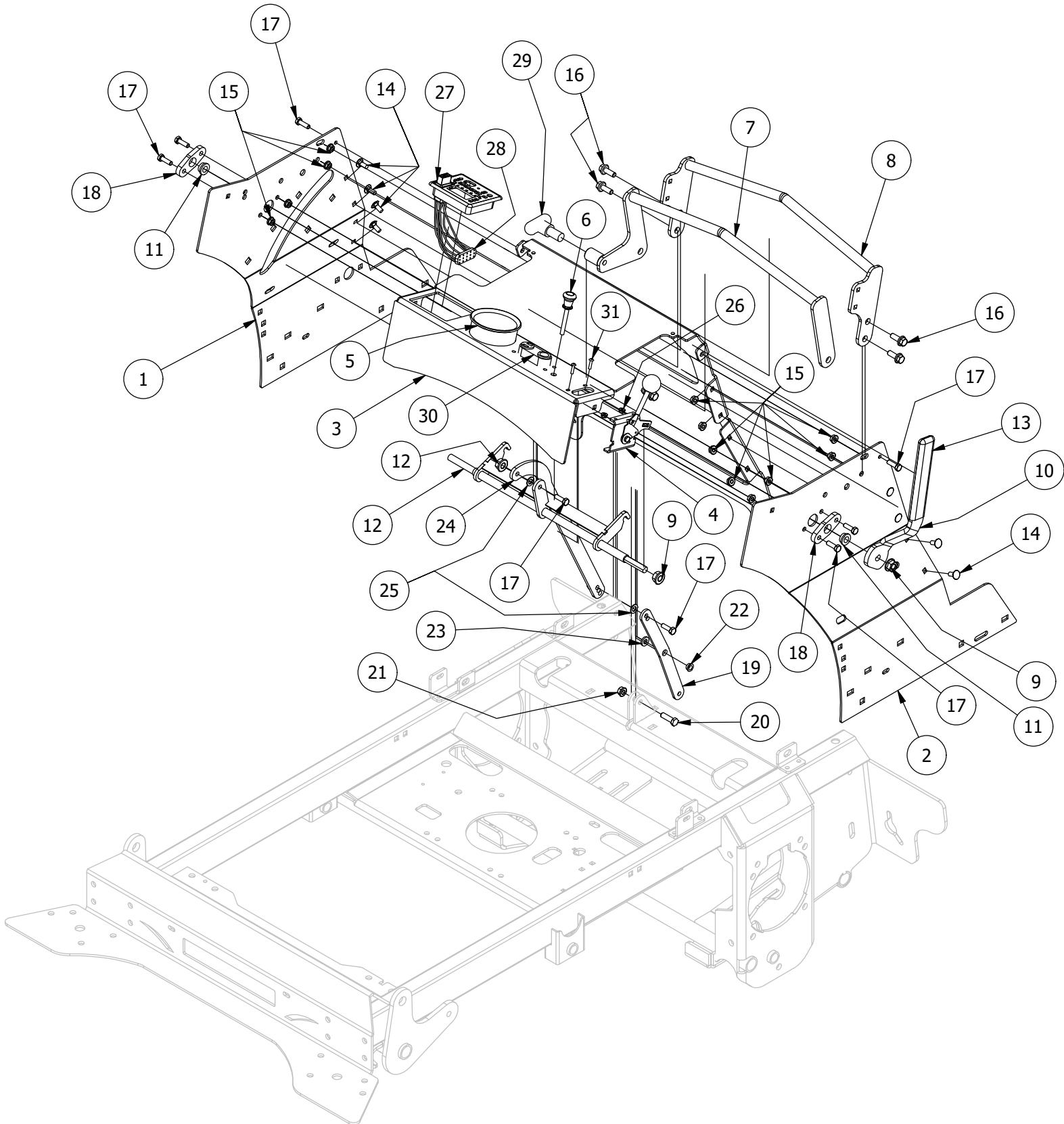
Deck Height Adjuster Assembly



PARTS LIST

ITEM	QTY	PART NUMBER	DESCRIPTION
1	1	439-0660-00	Stand On Deck Height Arm Pivot bracket
2	1	426-0468-00	Stand On Deck Height Link Arm
3	1	426-0479-00	Stand On Deck Height Bracket Left Actuator Side
4	13	410-0009-00	1/2" ID X 3/4" OD X 3/8" LENGTH FLANGE BUSHING
5	1	435-0009-00	Mower Deck Height Left Link Arm
6	1	426-0466-00	Stand On Foot Peg Mount Plate
7	1	435-0028-00	Stand On 1-1/4" Inch Foot Peg
8	10	413-0002-00	1/2-13 NYLON INSERT FLANGE NUT ZINC YELLOW
9	1	439-0676-00	Stand On Deck Height Pin Bracket
10	1	420-0009-00	Stand On Deck Height Adjuster Magnetic Pin
11	1	490-0428-02	Stand On Height Indicator Assembly
12	1	490-0435-02	Stand On Rear Deck Height Link Assembly
13	2	414-0015-00	1-1/4" Round Tube Plug
14	1	418-0021-00	1/2-13 X 3-3/4 HEX C/S GR 5 ZINC
15	5	418-0047-00	1/2-13 X 1-1/2 HEX FLANGE BOLT GR 8 ZINC YELLOW
16	1	410-0074-00	Stand On Deck Height Bushing
17	5	418-0008-00	5/16-18 X 3/4 CARRIAGE BOLT ZINC
18	7	413-0022-00	5/16-18 HEX FLANGE NUT W/SERR ZINC YELLOW
19	1	431-0004-00	Deck Height Brkt Right side
20	1	618-6066-00	1/2"-13x2-1/4 Gr8 Hex Cap Scr
21	1	418-0248-00	1/2-13 X 1-1/2 CARRIAGE BOLT (GR.5) ZC/YEL
22	2	418-0042-00	1/2-13 X 3-1/2 HEX C/S GR 5 ZINC YELLOW
23	1	418-0247-00	1/2"-13x2-1/4 Gr8 Hex Cap Scr
24	1	434-0008-00	RZ Deck Assist Gas Spring
25	2	487-0005-00	Control Arm Damper Ball Stud
26	1	419-0009-00	5/16 SPLIT LOCKWASHER ZINC
27	1	613-2004-00	3/8"-16 Nyloc Jam Nut
28	1	418-0274-00	3/8-16 X 2-3/4 HEX FLANGE BOLT (GR.8) ZC/YEI

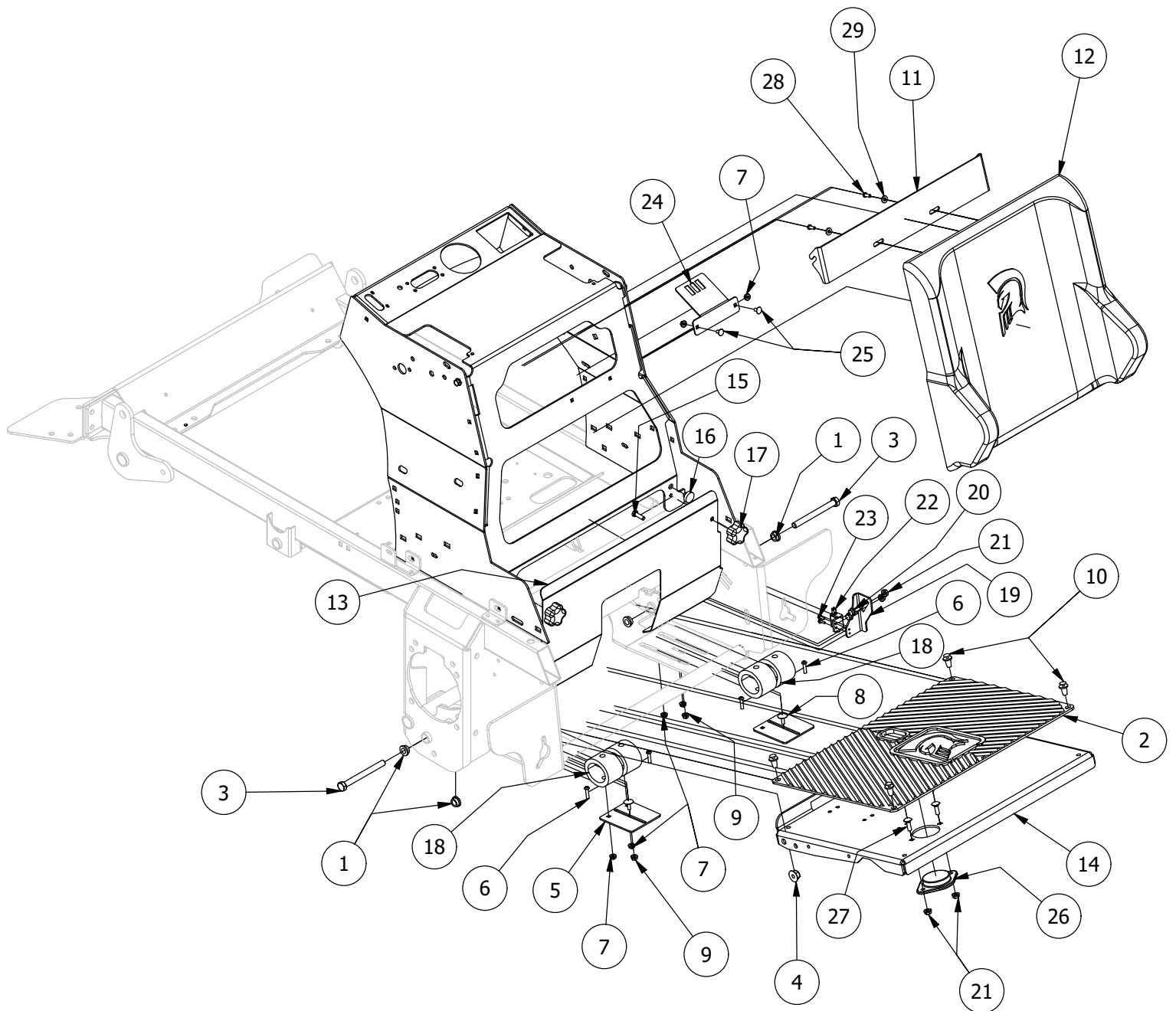
Console, Throttle, and Brake Lever Assembly



Console, Throttle, and Brake Lever Assembly

ITEM	QTY	PART NUMBER	DESCRIPTION
1	1	439-0673-00	Stand On Control Panel mount Right side
2	1	439-0674-00	Stand On Control Panel mount Left side
3	1	439-0675-00	Stand On Control Panel Bracket
4	1	464-0001-00	Mower Throttle Cable Assembly w / Handle
5	1	780-2220-00	Cup Holder
6	1	464-0002-00	Choke Cable
7	1	490-0441-02	Stand On Adjustable Handlebar Assembly
8	1	490-0438-02	Stand On Stationary Handlebar Assembly
9	4	413-0005-00	1/2-13 HEX FLANGE NUT W/SERR ZINC YELLOW
10	1	439-0669-00	Stand On Brake Lever Bracket
11	2	410-0009-00	1/2" ID X 3/4" OD X 3/8" LENGTH FLANGE BUSHING
12	1	490-0432-02	Stand On Brake Handle Assembly
13	1	484-0002-00	Stand Up Mower Brake Arm Grip
14	8	418-0008-00	5/16-18 X 3/4 CARRIAGE BOLT ZINC
15	18	413-0022-00	5/16-18 HEX FLANGE NUT W/SERR ZINC YELLOW
16	6	418-0040-00	3/8-16 X 1 HEX FLANGE BOLT GR 8 ZC YELLOW
17	8	418-0108-00	5/16 x1 Hex C/S (GR8) ZC/Yel
18	2	426-0474-00	Stand On Brake Lock Handle Split Collar Plate
19	1	426-0464-00	Stand On Brake Lock Lever Lower Plate Short
20	1	418-0005-00	3/8-16 x 1-1/4 Hex Bolt GR5
21	1	413-0029-00	3/8-16 NYLON INSERT FLANGE L/NUT ZC YELLOW
22	1	410-0067-00	Bronze Bushing
23	1	413-0052-00	3/8 ID X 3/4 OD X .125 THK BRONZE WASHER
24	1	426-0465-00	Stand On Brake Lock Lever Upper Plate Long
25	2	410-0011-00	3/8 X 3/4 Bronze Washer
26	2	413-0008-00	10-24 NYLON INSERT LOCKNUT 18-8 SS
27	1	486-0046-00	Stand-On Control Console-Carbureted
28	1	486-0051-00	Stand-On Mower FX801/ FT730 Harness
29	1	429-0006-00	PLASTIC T-HANDLE, WELD-ON RECTRACTABLE PLUNGER
30	1	586-0019-00	eNVy/ Stand On Mower Dual Power Port
31	2	618-8057-50	10-24 x 3/4 Button Socket

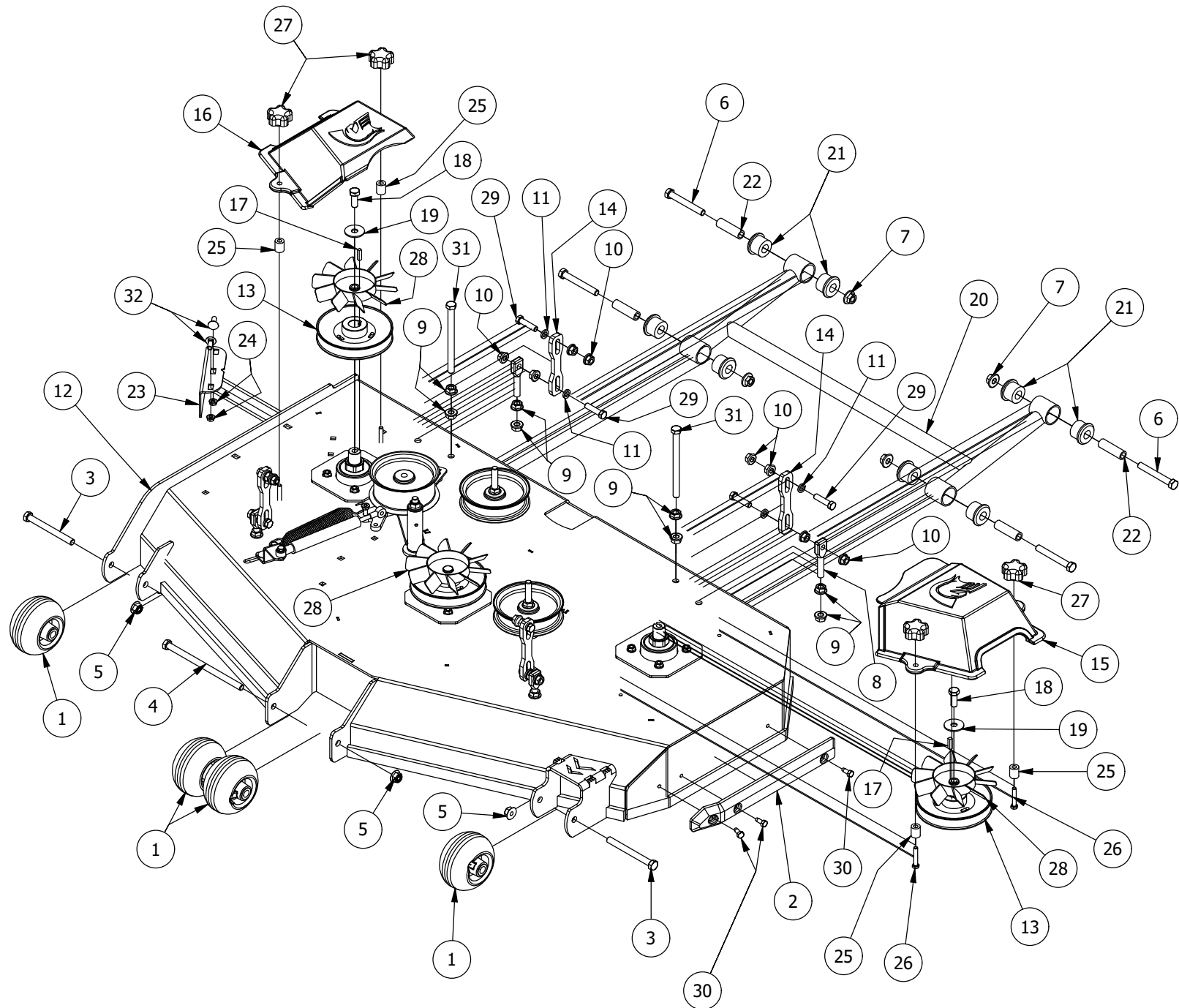
Foot Plate and Knee Rest Assembly



PARTS LIST

ITEM	QTY	PART NUMBER	DESCRIPTION
1	4	410-0009-00	1/2" ID X 3/4" OD X 3/8" LENGTH FLANGE BUSHING
2	1	481-0006-00	2017 Mower Logo Floor Mat Except for RZ
3	2	418-0016-00	1/2-13 X 5 HEX C/S GR 2 ZINC YELLOW
4	2	413-0002-00	1/2-13 NYLON INSERT FLANGE NUT ZINC YELLOW
5	2	426-0477-00	Stand On Seat Suspension Elastomer plate
6	4	618-2037-50	1/4-20 X1 Button Socket C/S Black
7	6	413-0012-00	1/4-20 HEX FLANGE NUT W/SERRATIONS ZC YELLOW
8	2	418-0052-00	1/4-20 X 3/4 CARRIAGE BOLT ZINC
9	2	413-0026-00	1/4-20 NYLON INSERT FLANGE L/NUT ZINC
10	4	414-0002-00	8MM PUSH TYPE RETAINER NYLON BLACK
11	1	439-0658-00	Stand On Knee Pad Upper Bracket
12	1	471-1006-00	Spartan Stand-On Mower Lean Pad
13	1	439-0654-00	Stand On Foot Guard
14	1	490-0461-02	Stand On Footplate Assembly
15	2	418-0108-00	5/16 x1 Hex C/S (GR8) ZC/Yel
16	2	429-0002-00	Push-In Rubber Bumper, Mower Floor
17	2	445-0005-00	5/16-18 5-LOBE (STAR) FEMALE SOFT TOUCH KNOB (1.90 DIA) BLK
18	4	487-0012-00	Stand-On Platform Radial Bumper
19	1	439-0672-00	Stand On Footplate Safety Switch Bracket
20	2	418-0048-00	5/16-18 X 3/4 HEX FLANGE BOLT GR 8 ZC YELLOW
21	4	413-0022-00	5/16-18 HEX FLANGE NUT W/SERR ZINC YELLOW
22	1	486-0030-00	NO Plunger Limit Switch
23	2	418-0032-00	8-32 X 1/2 IND. HWH SLOT TYPE F TCS ZINC
24	1	439-0662-00	Stand On Fuse Holder
25	2	418-0031-00	1/4-20 X 1/2 CARRIAGE BOLT ZC YELLOW
26	1	486-0050-00	Stand-On Mower Foot Plate Plunger Switch
27	2	418-0010-00	5/16-18 X 1 CARRIAGE BOLT ZC/YEL
28	2	618-8064-50	1/4-20 x 5/8 Button Socket C/S
29	2	619-0010-00	1/4 USS Flat Washer 18-8 SS

54" Deck Assembly 1



54" Deck Assembly 1

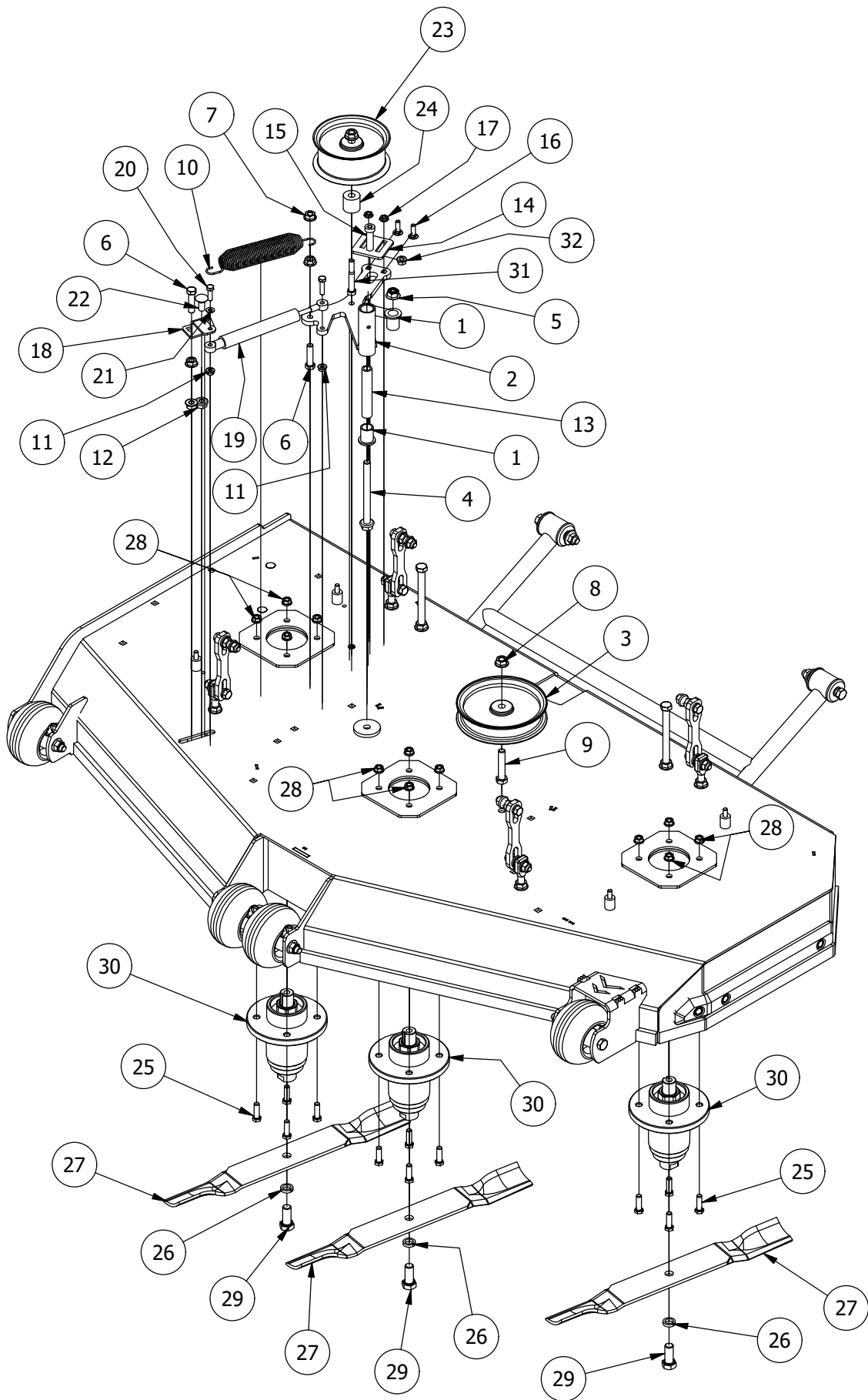
ITEM	QTY	PART NUMBER	DESCRIPTION
1	4	422-0001-00	Anti-Scalp Wheel
2	1	429-0001-00	Mower Nylon Deck Guard
3	2	418-0016-00	1/2-13 X 5 HEX C/S GR 2 ZINC YELLOW
4	1	418-0015-00	1/2-13 X 8-1/2 HEX C/S GR 2 ZINC YELLOW
5	4	413-0002-00	1/2-13 NYLON INSERT FLANGE LOCKNUT ZC YELLOW
6	6	418-0021-00	1/2-13 X 3-3/4 HEX C/S GR 5 ZINC
7	4	413-0017-00	1/2-13 NYLON INSERT FLANGE LOCKNUT ZINC W/SERRATIONS
8	4	448-0001-00	Mowre Deck height adjustment Stud
9	14	413-0005-00	1/2-13 HEX FLANGE NUT W/SERR ZINC YELLOW
10	17	413-0011-00	7/16-14 HEX FLANGE NUT W/SERR ZINC YELLOW
11	8	419-0010-00	.443 ID X .750 OD X .125 THK NYLON BLACK
12	1	490-0446-00	54" Stand On Deck Assembly
13	3	433-0003-00	Deck Pulley 61"
14	4	435-0007-00	Mower Deck Link
15	1	414-0018-00	48" Deck Left Pulley Cover
16	1	414-0032-00	Right Pulley Cover 54" Stand on
17	3	442-0001-00	1/4 X 1 SQUARE KEY STOCK
18	3	418-0006-00	1/2-20 X 1-1/4 HEX C/S GR 5 ZINC
19	3	419-0001-00	1/2" X 1-5/8 BELLEVILLE CUP WASHER ZINC YELLOW
20	1	490-0014-00	Mower 54"/61" Deck Frame Stabilizer Assembly
21	8	732-2008-00	Black A90 Suspension Bushing
22	4	732-2001-00	Large MTV A-Arm Bushing Sleeve
23	1	439-0399-00	2020 RT&SRT/RZ 54 Deck wiper Brkt
24	4	413-0022-00	5/16-18 HEX FLANGE NUT W/SERR ZINC YELLOW
25	4	425-0029-00	Stand On Pulley Cover Spacer
26	4	418-0024-00	5/16-18 X 1-3/4 HEX C/S GR 5 ZINC
27	4	445-0005-00	5/16-18 5-LOBE (STAR) FEMALE SOFT TOUCH KNOB (1.90 DIA) BLK
28	3	450-0064-00	Stand-On Pulley Fan
29	8	418-0011-00	7/16-14X 1-3/4 HEX C/S GR5 ZINC Yellow
30	3	418-0262-00	5/16-18 X 3/4 IND HWH UNSLOT (F) TCS ZC/Y
31	2	418-0264-00	1/2-13 6 1/2 hex cap Gr5 Yellow zc bolt
32	2	418-0045-00	3/8-16 X 1 Carriage Bolt Zinc Yellow

54" Deck Assembly 2

ITEM	QTY	PART NUMBER	DESCRIPTION
1	4	413-0002-00	1/2-13 NYLON INSERT FLANGE LOCKNUT ZC YELLOW
2	6	418-0021-00	1/2-13 X 3-3/4 HEX C/S GR 5 ZINC
3	1	434-0007-00	2019 Mower Deck Spring
4	14	413-0005-00	1/2-13 HEX FLANGE NUT W/SERR ZINC YELLOW
5	17	413-0011-00	7/16-14 HEX FLANGE NUT W/SERR ZINC YELLOW
6	1	439-0685-00	Stand On Deck Belt Idler Dampener Mounting Bracket
7	1	434-0009-00	Idler Gas Spring
8	1	418-0108-00	5/16 x1 Hex C/S (GR8) ZC/Yel
9	1	413-0016-00	.312 ID X .625 OD X .062 THK THRUST BEARING OIL-IMPREG BRNZ
10	1	490-0446-00	54" Stand On Deck Assembly
11	1	490-0431-02	Stand On Deck Idler Assembly
12	12	418-0005-00	3/8-16 x 1-1/4 Hex Bolt GR5
13	3	419-0004-00	5/8 SPLIT LOCKWASHER ZINC
14	3	438-0001-00	54" Mower Deck Blade
15	12	413-0004-00	3/8-16 HEX FLANGE NUT W/SERR ZINC
16	3	418-0078-00	5/8-11 X 1-1/2 HEX C/S GR 8 ZC YELLOW
17	3	437-0027-00	Stand-On Mower Deck Spindle
18	1	418-0017-00	7/16-14 X 1 CARRIAGE BOLT ZINC
19	2	413-0027-00	5/16-18 NYLON INSERT FLANGE LOCKNUT ZC YELLOW
20	2	410-0007-00	3/4" ID X 15/16" OD X 1-1/8" LENGTH FLANGE BUSHING
21	1	418-0009-00	1/2-13 X 5-1/2 HEX FLANGE BOLT GR 8 ZY
22	2	433-0013-00	5-3/4" Idler Pulley, 7/16" Spacer Assembly
23	1	433-0020-00	Stand on 5.75" OD 2.345" tall Deck Idler Pulley
24	1	425-0031-00	Stand On Mower Deck Idler Spacer
25	1	426-0478-00	Stand On Deck Idler Pulley Belt Retainer Bracket
26	2	418-0060-00	5/16-18 X 1 CARRIAGE BOLT ZINC YELLOW
27	4	413-0022-00	5/16-18 HEX FLANGE NUT W/SERR ZINC YELLOW
28	1	461-0017-00	Stand-On Mower 54" Deck Belt
29	2	418-0109-00	5/16- 18 x 1 1/4 Hex C/S (GR.8) ZC/Yel

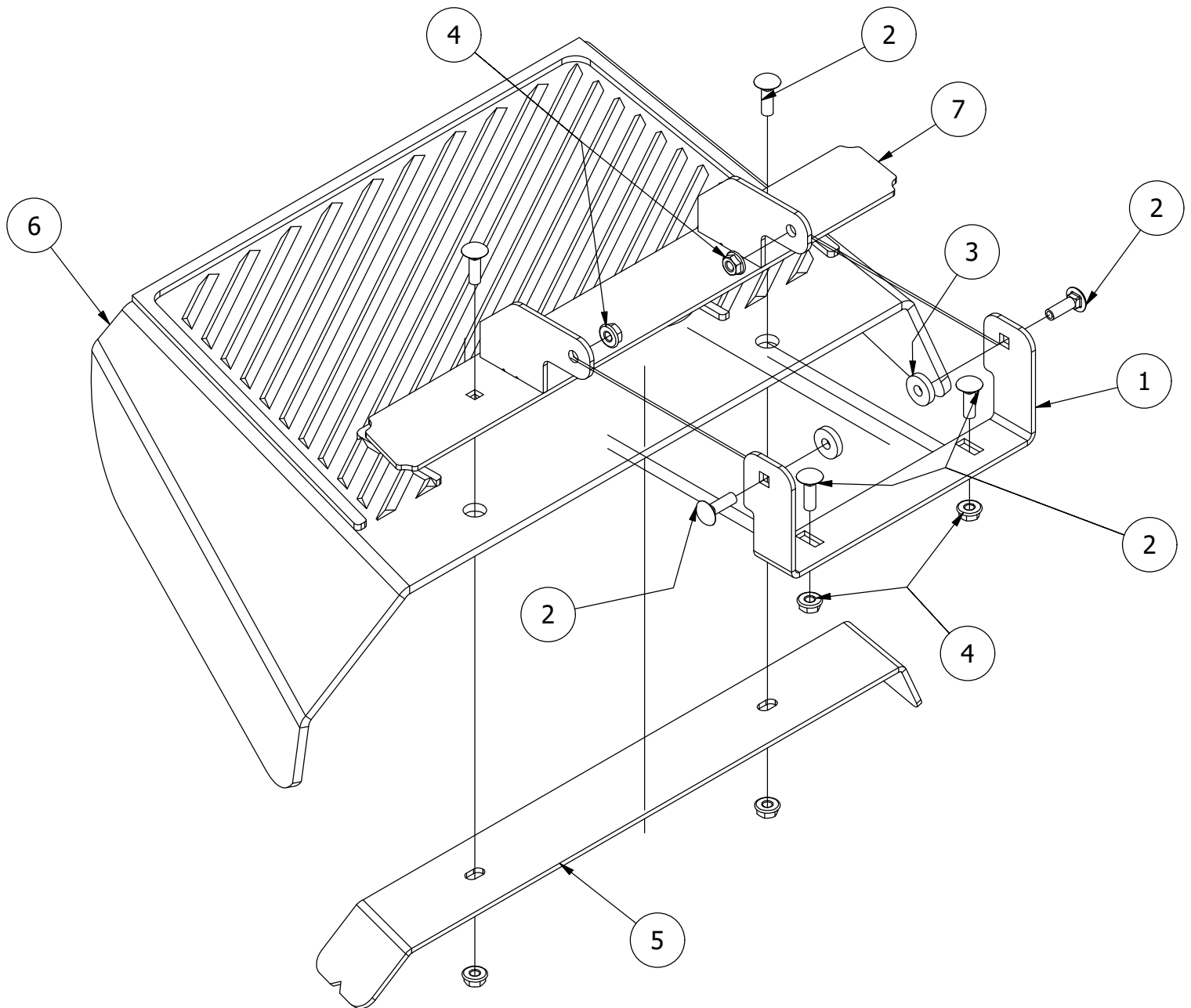
61" Deck Assembly 1			
ITEM	QTY	PART NUMBER	DESCRIPTION
1	1	490-0456-00	61" Stand On Deck Assembly
2	4	448-0001-00	Mowre Deck height adjustment Stud
3	14	413-0005-00	1/2-13 HEX FLANGE NUT W/SERR ZINC YELLOW
4	4	413-0002-00	1/2-13 NYLON INSERT FLANGE LOCKNUT ZC YELLOW
5	1	418-0015-00	1/2-13 X 8-1/2 HEX C/S GR 2 ZINC YELLOW
6	2	418-0016-00	1/2-13 X 5 HEX C/S GR 2 ZINC YELLOW
7	1	490-0014-00	Mower 54"/61" Deck Frame Stabilizer Assembly
8	4	413-0017-00	1/2-13 NYLON INSERT FLANGE LOCKNUT ZINC W/SERRATIONS
9	5	418-0021-00	1/2-13 X 3-3/4 HEX C/S GR 5 ZINC
10	8	732-2008-00	Black A90 Suspension Bushing
11	1	461-0018-00	Stand-On Mower 61" Deck Belt
12	17	413-0011-00	7/16-14 HEX FLANGE NUT W/SERR ZINC YELLOW
13	8	419-0010-00	.443 ID X .750 OD X .125 THK NYLON BLACK
14	1	429-0001-00	Mower Nylon Deck Guard
15	4	732-2001-00	Large MTV A-Arm Bushing Sleeve
16	4	422-0001-00	Anti-Scalp Wheel
17	1	414-0021-00	Left Pulley Cover 61" RZ/RT/SRT, 72" RT/SRT
18	3	442-0001-00	1/4 X 1 SQUARE KEY STOCK
19	3	418-0006-00	1/2-20 X 1-1/4 HEX C/S GR 5 ZINC
20	3	433-0003-00	Deck Pulley 61"
21	3	419-0001-00	1/2" X 1-5/8 BELLEVILLE CUP WASHER ZINC YELLOW
22	4	435-0007-00	Mower Deck Link
23	1	439-0398-00	2020 RT&SRT/RZ 61 Deck wiper Brkt
24	4	413-0022-00	5/16-18 HEX FLANGE NUT W/SERR ZINC YELLOW
25	4	425-0029-00	Stand On Pulley Cover Spacer
26	4	445-0005-00	5/16-18 5-LOBE (STAR) FEMALE SOFT TOUCH KNOB (1.90 DIA) BLK
27	4	418-0024-00	5/16-18 X 1-3/4 HEX C/S GR 5 ZINC
28	1	414-0033-00	Right Pulley Cover 61" Stand on
29	3	450-0064-00	Stand-On Pulley Fan
30	3	418-0262-00	5/16-18 X 3/4 IND HWH UNSLOT (F) TCS ZC/Y
31	8	418-0011-00	7/16-14X 1-3/4 HEX C/S GR5 ZINC Yellow
32	2	418-0264-00	1/2-13 6 1/2 hex cap Gr5 Yellow zc bolt
33	2	418-0045-00	3/8-16 X 1 Carriage Bolt Zinc Yellow

61" Deck Assembly 2



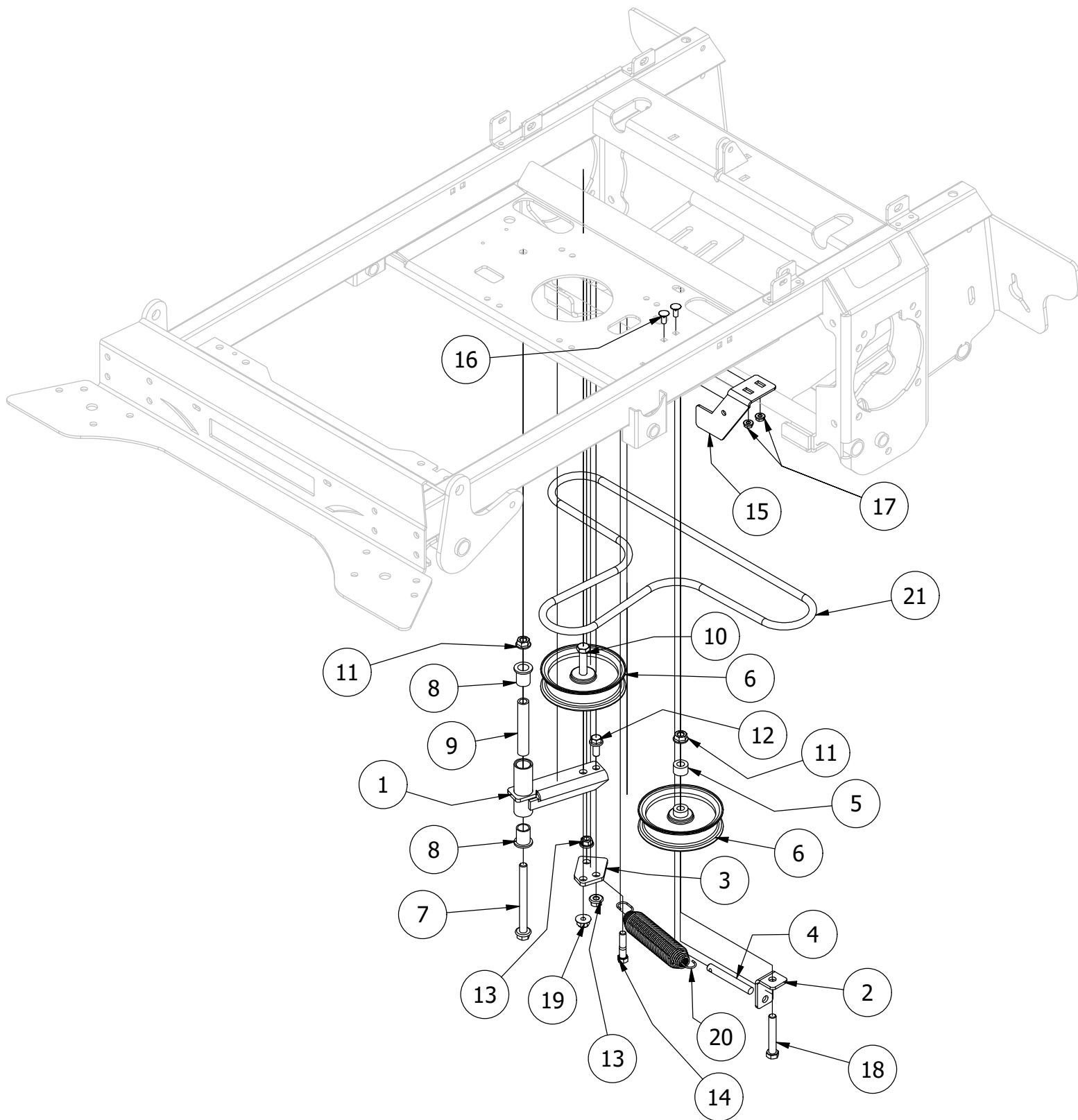
61" Deck Assembly 2			
ITEM	QTY	PART NUMBER	DESCRIPTION
1	2	410-0007-00	3/4" ID X 15/16" OD X 1-1/8" LENGTH FLANGE BUSHING
2	1	490-0431-02	Stand On Deck Idler Assembly
3	1	433-0015-00	6-3/4" Idler Pulley, 15/16" Spacer Assembly
4	1	418-0009-00	1/2-13 X 5-1/2 HEX FLANGE BOLT GR 8 ZY
5	4	413-0002-00	1/2-13 NYLON INSERT FLANGE LOCKNUT ZC YELLOW
6	2	418-0011-00	7/16-14X 1-3/4 HEX C/S GR5 ZINC Yellow
7	4	413-0001-00	7/16-14 HEX FLANGE NUT W/SERR ZINC
8	2	413-0010-00	1/2-13 HEX FLANGE NUT W/SERR ZINC
9	1	418-0014-00	1/2-13 X 2-1/2 HEX FLANGE BOLT GR 8 ZC YELLOW
10	1	434-0007-00	2019 Mower Deck Spring
11	2	413-0027-00	5/16-18 NYLON INSERT FLANGE LOCKNUT ZC YELLOW
12	17	413-0011-00	7/16-14 HEX FLANGE NUT W/SERR ZINC YELLOW
13	1	425-0006-00	Mower Inner Idler Spacer
14	1	426-0478-00	Stand On Deck Idler Pulley Belt Retainer Bracket
15	1	418-0106-00	1/2"-20x1-3/4" Shoulder Bolt
16	2	418-0060-00	5/16-18 X 1 CARRIAGE BOLT ZINC YELLOW
17	2	413-0006-00	5/16-18 HEX FLANGE NUT W/SERR ZINC
18	1	439-0685-00	Stand On Deck Belt Idler Dampener Mounting Bracket
19	1	434-0009-00	Idler Gas Spring
20	1	418-0108-00	5/16 x1 Hex C/S (GR8) ZC/Yel
21	1	413-0016-00	.312 ID X .625 OD X .062 THK THRUST BEARING OIL-IMPREG BRNZ
22	1	418-0017-00	7/16-14 X 1 CARRIAGE BOLT ZINC
23	1	433-0020-00	Stand on 5.75" OD 2.345" tall Deck Idler Pulley
24	1	425-0031-00	Stand On Mower Deck Idler Spacer
25	12	418-0005-00	3/8-16 x 1-1/4 Hex Bolt GR5
26	3	419-0004-00	5/8 SPLIT LOCKWASHER ZINC
27	3	438-0002-00	61" Mower Deck Blade
28	12	413-0004-00	3/8-16 HEX FLANGE NUT W/SERR ZINC
29	3	418-0078-00	5/8-11 X 1-1/2 HEX C/S GR 8 ZC YELLOW
30	3	437-0027-00	Stand-On Mower Deck Spindle
31	1	618-2078-00	3/8-16 x 2-3/4 Hex C/S GR2 Zinc
32	1	413-0020-00	3/8-16 HEX FLANGE NUT W/SERR ZINC YELLOW

Deck Chute Assembly



Deck Chute Assembly			
ITEM	QTY	PART NUMBER	DESCRIPTION
1	1	439-0111-00	Mower Chute Mounting Bracket
2	6	418-0060-00	5/16-18 X 1 CARRIAGE BOLT ZINC YELLOW
3	2	419-0006-00	.312 ID X .875 OD X .1875 THK F/W NYLON BLK
4	6	413-0027-00	5/16-18 NYLON INSERT FLANGE LOCKNUT ZC YELLOW
5	1	439-0190-00	2020 Deck Chute Hinge Backer Bracket
6	1	481-0011-00	2020 RT/SRT Rubber Discharge Chute
7	1	490-0056-02	RT/SRT Deck Chute Hinge Assembly

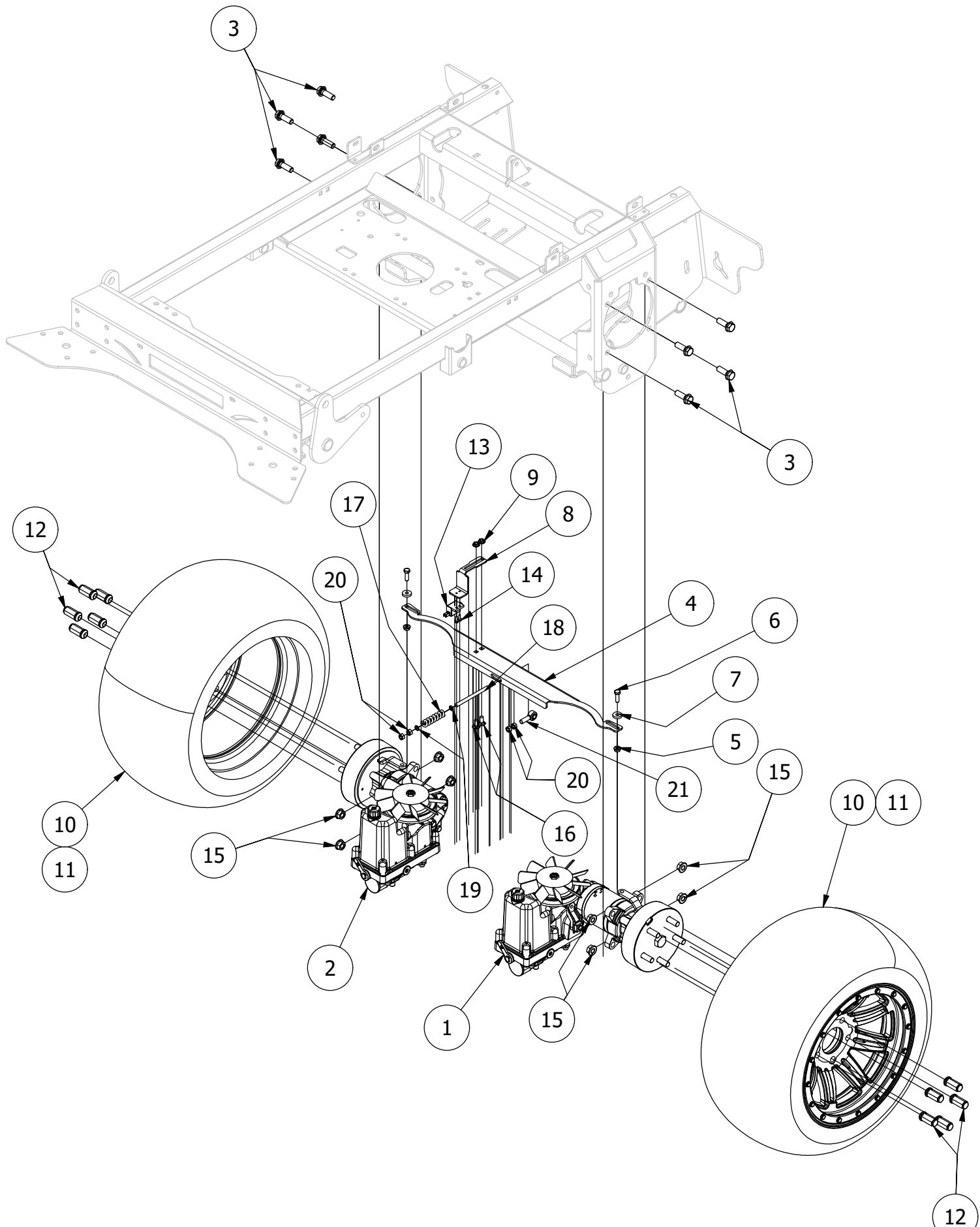
Idler Pully Assembly



Idler Pully Assembly

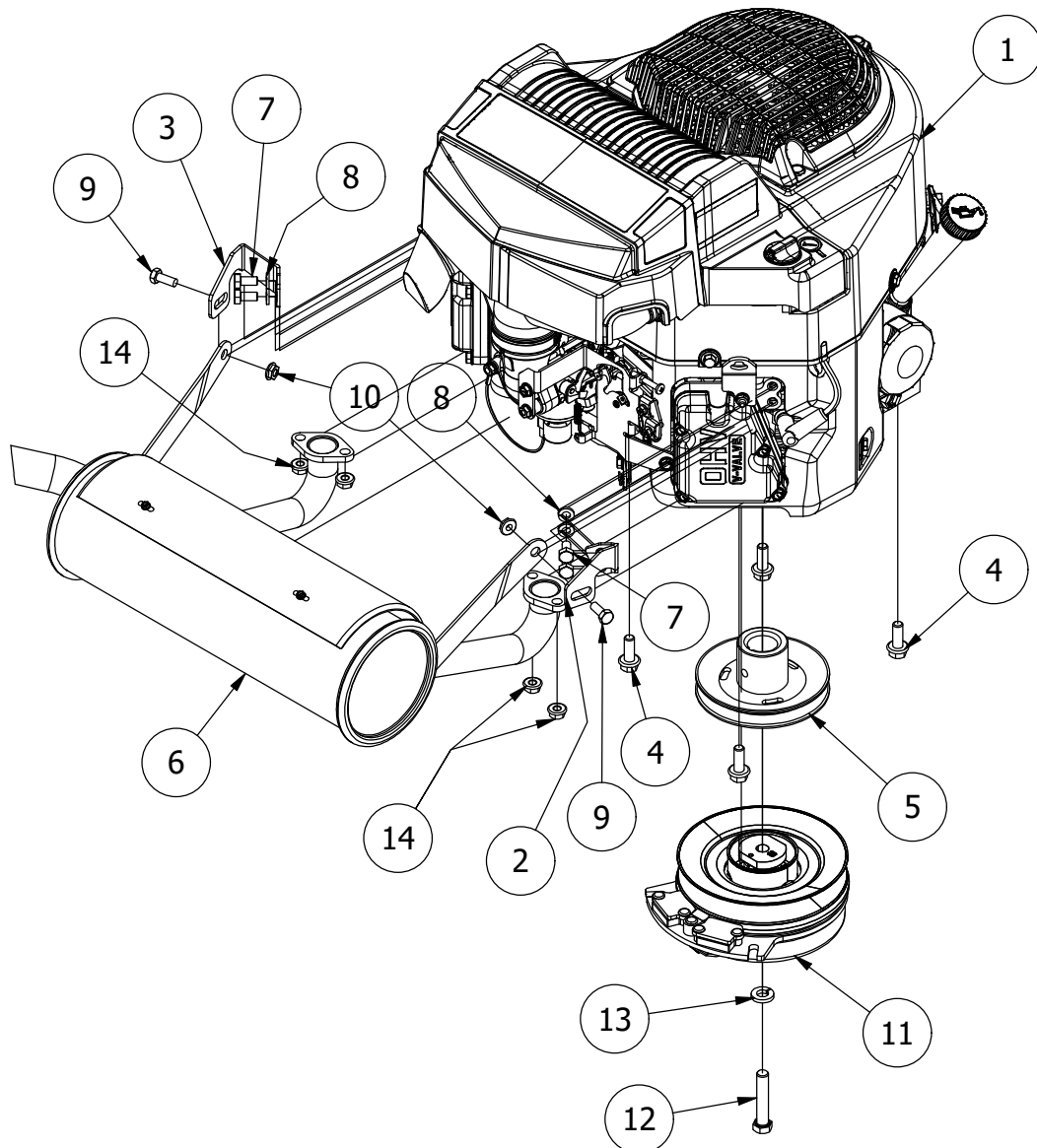
ITEM	QTY	PART NUMBER	DESCRIPTION
1	1	490-0018-00	Mower Pump Idler Assembly
2	1	439-0655-00	Stand On Idler Pulley Tension Spring Mounting Bracket
3	1	426-0475-00	Stand On Pump Idler Extension Bracket
4	1	430-0001-00	Mower Pump Spring Tensioner
5	1	425-0027-00	.530 ID/ 1" OD X .625 Mower Pump Idler Spacer
6	2	433-0013-00	5-3/4" Idler Pulley, 7/16" Spacer Assembly
7	1	418-0009-00	1/2-13 X 5-1/2 HEX FLANGE BOLT GR 8 ZY
8	2	410-0007-00	3/4" ID X 15/16" OD X 1-1/8" LENGTH FLANGE BUSHING
9	1	425-0006-00	Mower Inner Idler Spacer
10	1	418-0012-00	1/2-13 X 2-1/4 HEX C/S GR 5 ZINC
11	2	413-0005-00	1/2-13 HEX FLANGE NUT W/SERR ZINC YELLOW
12	1	418-0099-00	7/16-14 X 1 HEX FLANGE BOLT (GR.8) ZC/YEL
13	2	413-0011-00	7/16-14 HEX FLANGE NUT W/SERR ZINC YELLOW
14	1	418-0046-00	7/16-14 X 2 HEX C/S GR 5 ZINC YELLOW
15	1	439-0656-00	Stand On Mower Clutch Bracket
16	2	418-0063-00	5/16-18 X 3/4 CARRIAGE BOLT ZINC YELLOW
17	2	413-0022-00	5/16-18 HEX FLANGE NUT W/SERR ZINC YELLOW
18	1	418-0084-00	1/2-13 x 3 Hex CS GR 5 Yellow Zince
19	1	413-0002-00	1/2-13 NYLON INSERT FLANGE NUT ZINC YELLOW
20	1	434-0007-00	2019 Mower Deck Spring
21	1	461-0019-00	Stand On Mower Pump Belt

Transmission Assembly



Transmission Assembly			
ITEM	QTY	PART NUMBER	DESCRIPTION
1	1	450-0001-00	HTE Parker Hydrostatic Transmission Left
2	1	450-0002-00	HTE Parker Hydrostatic Transmission Right
3	8	418-0047-00	1/2-13 X 1-1/2 HEX FLANGE BOLT GR 8 ZINC YELLOW
4	1	439-0499-00	Stand on Mower Park Brake Bracket HTJ12
5	2	413-0027-00	5/16-18 NYLON INSERT FLANGE LOCKNUT ZC YELLOW
6	2	418-0108-00	5/16 x1 Hex C/S (GR8) ZC/Yel
7	2	419-0006-00	.312 ID X .875 OD X .1875 THK F/W NYLON BLK
8	1	439-0661-00	Stand On Brake Interlock Bracket
9	2	413-0006-00	5/16-18 HEX FLANGE NUT W/SERR ZINC
10	2	422-0021-00	Mower 8" Steel Wheels on radial tire (for 61" & 72" decks)
11	2	422-0028-00	RT/SRT 54" Deck Rear Wheel Assm with VS5010-24x10.50-R12
12	10	613-0001-00	1/2 Lug Nut-44011- Front
13	1	486-0030-00	Safety Switch
14	2	418-0032-00	8-32 X 1/2 IND. HWH SLOT TYPE F TCS ZINC
15	8	413-0005-00	1/2-13 HEX FLANGE NUT W/SERR ZINC YELLOW
16	2	418-0008-00	5/16-18 X 3/4 CARRIAGE BOLT ZINC
17	1	434-0016-00	RZ Front Fork Suspension Spring
18	1	435-0029-00	Stand On Brake Rod Short
19	2	419-0007-00	5/16 Flat Washer
20	4	413-0035-00	5/16-24 HEX NUT ZINC
21	1	410-0071-00	5/16-24 SPHERICAL ROD END ZINC RIGHT HAND THD FEMALE

Engine Assembly			
ITEM	QTY	PART NUMBER	DESCRIPTION
1	1	415-0024-00	Kawasaki FT730-Carb Engine
2	1	439-0497-00	Stand On Muffler Engine Mount Kaw FT730V Left side
3	1	439-0498-00	Stand On Muffler Engine Mount Kaw FT730V Right side
4	4	418-0023-00	3/8-16 X 1-1/8 IND HWH W/SERR TRI LOB ZY
5	1	433-0001-60	Stand On Drive Pulley, A Belt
6	1	415-0092-00	Exhaust for Kaw730 Stand-on
7	4	618-2063-00	M8-1.25 X 16MM HEX BOLT CL. 8.8 ZINC
8	4	619-8051-00	5/16 Lockwasher Zinc
9	2	618-8063-00	5/16-18 x 3/4 GR 5 Hex bolt Zinc
10	2	613-9002-00	5/16-18 Hex Flange Nuts Zinc w/Serations
11	1	470-0010-00	Stand-On Mower Warner Clutch
12	1	418-0223-00	TTQ Clutch Bolt
13	1	419-0005-00	7/16 SPLIT LOCKWASHER GR 8 ZC YELLOW
14	4	413-0009-00	M8-1.25 HEX FLANGE TOPLOCK NUT ZINC



491-0158-00 & 491-0159-00
Fuel Tank Decals



491-0157-00
Height Indicator Decal



491-0155-00
Front Spartan Decal



491-0193-00
King of Grass Decal



491-0161-00
726cc Model Decal



491-0156-00
Fender KG-Pro Decal



KG PRO

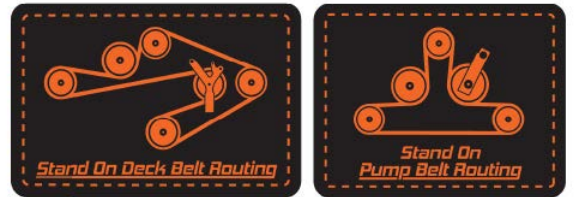
491-0130-00
54" Deck Decal



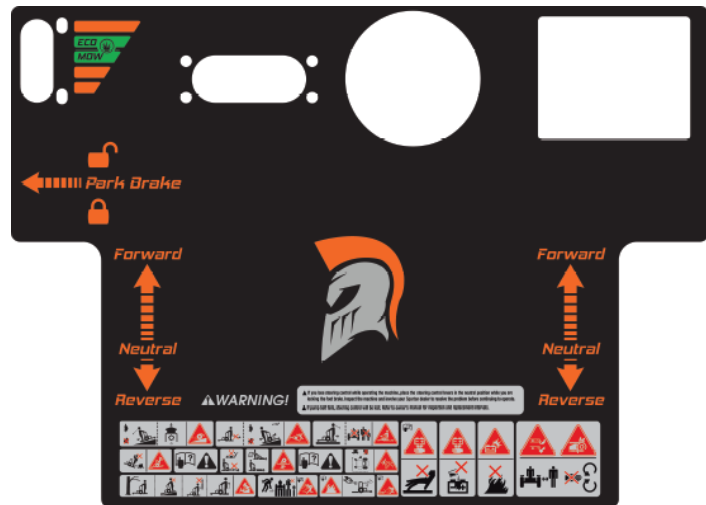
491-0131-00
61" Deck Decal



491-0165-00
Belt Routing Decals



491-0160-00
Control Console Decal



491-0190-00
EPA Compliance Label

