

TRX 766I V37 A

5/4/2021

DISCLAIMER: Content of this PDF is information in possession of Altoz at the time of creation of this PDF and may not represent future changes. Altoz recommends using the electronic version of the parts catalog for the most current information. Product specifications and appearance are subject to change.

Table of Contents

1055125, TRX 766I V37 A	5
9990466, Steering.....	7
2000879, ASM,STEERING CONTROL,RH,TRX610/660	9
2000881, ASM,STEERING CONTROL ROD,XPHD/TRX	11
2000880, ASM,STEERING CONTROL,LH,TRX610/660	13
9990468, Drive	15
2000647, ASM,DRIVE TENSIONER,5	17
4000027, FLUID RESERVIOR 5400	19
9990475, ROPS Assembly.....	21
2001120, ASM,ROPS PIN,W/SPRING,XE/XEHD/XPHD/TRX	23
9990476, Fuel System.....	25
2000558, ASM,HOSE,FUEL,9.....	28
2000928, ASM,HOSE,FUEL,20	30
2000933, ASM,HOSE,FUEL,42	32
2000963, ASM,ENGINE COVER,TRX610/660	34
2000984, TANK,FUEL,RH ASM,XC/XPHD/TRX,05/17	36
2000133, PICK-UP,FUEL ASM,XC/XPHD/TRX	38
2000994, TANK,FUEL,RH,W/FILL NECK (#2000984)	40
2000985, TANK,FUEL,LH ASM,XC/XPHD/TRX,05/17	42
2000993, TANK,FUEL,LH,W/FILL NECK (#2000985).....	44
9990479, Deck Lift	46
2000195, ASM,DECK HEIGHT LINK,XC/XPHD/TRX.....	50
2000350, ASM,DECK RELEASE PEDAL,ARG,XC/XPHD/TRX	52
2000351, ASM,DECK LIFT CATCH MNT,XC/XPHD/TRX	54
2000349, ASM,DECK STOP CATCH W/BUSH,XC/XPHD/TRX	56
2000352, ASM,LIFT SPRING SHAFT W/BUSH,XC/XPHD/TRX	58
2000366, ASM,SPRING RETAIN/BUSH,LIFT,XC/XPHD/TRX.....	60
2000771, ASM,ADMJNT KNOB,DECK HEIGHT,XC/XPHD/TRX.....	62
2000936, ASM,CAM ARM PIVOT ARM,HOC,TRX610/660	64
9990592, Seat.....	66
9990593, Front Axle	68
2001105, ASM,FRONT AXLE FORK,TRQFLX,TRX610/66/766	70
6100054, WHEEL,FRONT,15/6X6,RIBBED,TPRD BRG,BC	72

	3
9990624, TRACK,SYST,CARTRIDGE,OFFSET IDLER,TRX766.....	74
2001127, ASM,DRIVE WHEEL,OUTER,16P,TRX766.....	76
2001128, ASM,DRIVE WHEEL,INNER,16P,TRX766.....	78
2001160, ASM,TORSION AXLE/IDLERS,CARTRIDGE,TRX766	80
2001173, ASM,CAST IDLER WHEEL,OUTER,6	82
2001174, ASM,CAST IDLER WHEEL,INNER,6	84
2001213, ASM,CAST IDLER WHEEL,OUTER,10	86
2001214, ASM,CAST IDLER WHEEL,INNER,10	88
2001161, ASM,TORSION AXLE/TUBE,CARTRIDGE,TRX766.....	90
9990630, Frame.....	92
9990631, Parking Brake.....	95
2000926, ASM,BRAKE HANDLE,TRX610/660.....	97
2000820, ASM,BRAKE CAM ARM,XPHD/TRX	99
2000927, ASM,BRAKE HANDLE WELD,TRX610/660	101
9990632, Speed Control.....	103
2000222, ASM,TWO SPEED LINKAGE,XCZ/TRX	105
2000883, ASM,TWO SPEED HANDLE,TRX610/660	107
2000884, ASM,TWO SPEED CAM ARM,TRX610/660.....	109
2000885, ASM,TWO SPEED HANDLE WELD,TRX610/660.....	111
9990641, Engine/Exhaust.....	113
9990693, FOOT REST,SYSTEM,TRX766,2020-21.....	115
9990694, ELECTRICAL,TRX766I V37,2020-21	117
2000868, BATTERY CABLE,POSITIVE,32.....	120
2000869, BATTERY CABLE,NEGATIVE,36.....	122
2001005, ASM,CONSOLE,LH,XC/XPHD/TRX,06/17	124
2001175, ASM,CONSOLE,RH,ST,VG PRO,TRXI V37.....	126
2001070, ASM,CABLE CNTL,38.....	128
2001206, ASM,ELECT CNTRL PAN,TRX766,2020	130
9990772, SYS,DECK,ALL-TERRAIN,OFF-SET,TRX766,2021	132
2001036, ASM,DECK STABLZR ARM,LH,RND,TRX610/660	134
2001037, ASM,DECK STABLZR ARM,RH,RND,TRX610/660.....	136
2001356, ASM,MOWER DECK,ALL-TERRAIN,OS,TRX766.....	138
2000913, ASM,BLADE,ALL TERRAIN DECK,TRX660/766.....	141
2001178, ASM,DECK TENSIONER,XCZ/XPHD/TRX	143

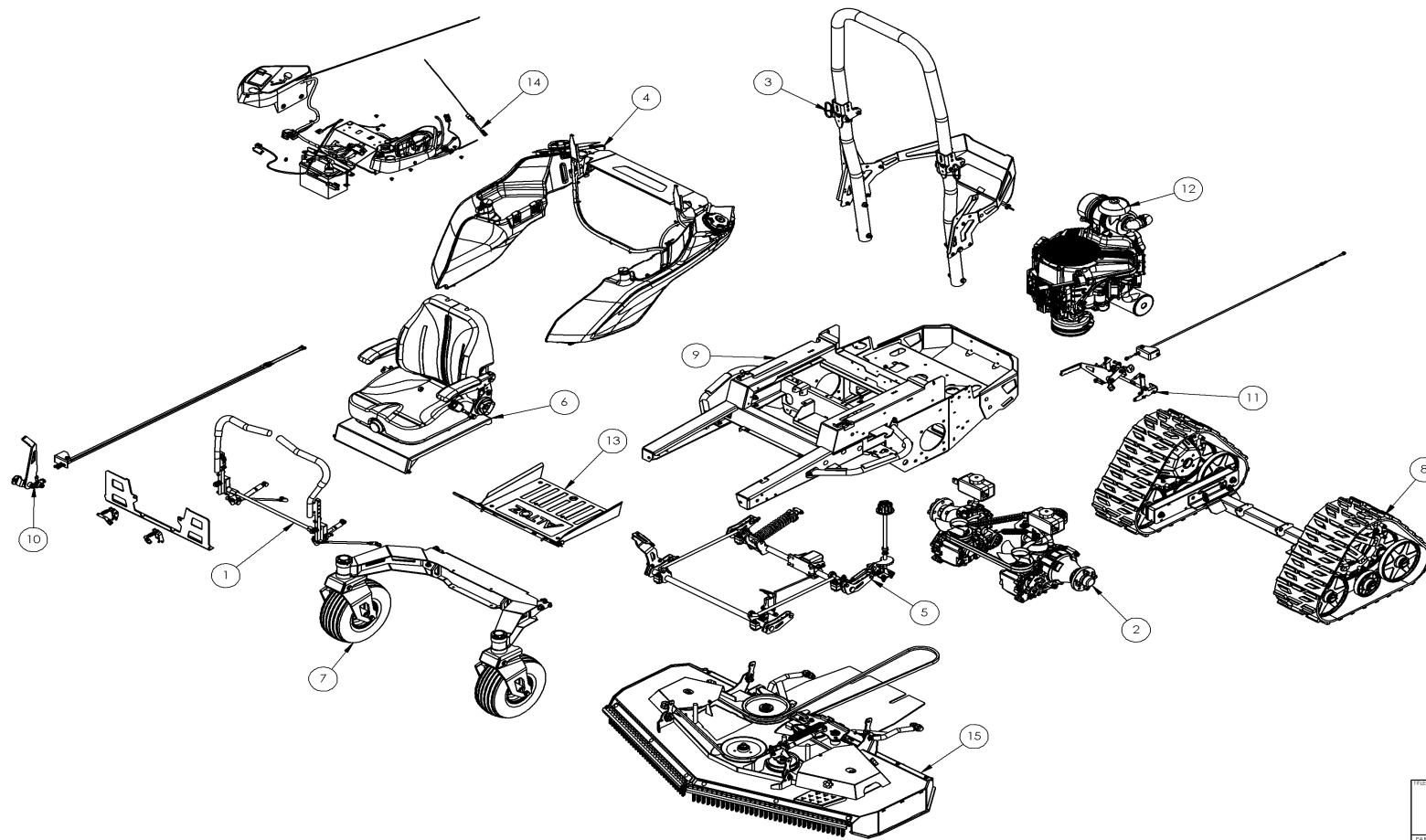
2001357, ASM,FRONT CHAIN GUARD,LH,OS,TRX766 AT145

2001358, ASM,FRONT CHAIN GUARD,RH,OS,TRX766 AT147

2900623, SPINDLE ASM,CLAMP,TRX AT DECK.....149

1055125, TRX 766I V37 A

UNCONTROLLED DOCUMENT IF PRINTED

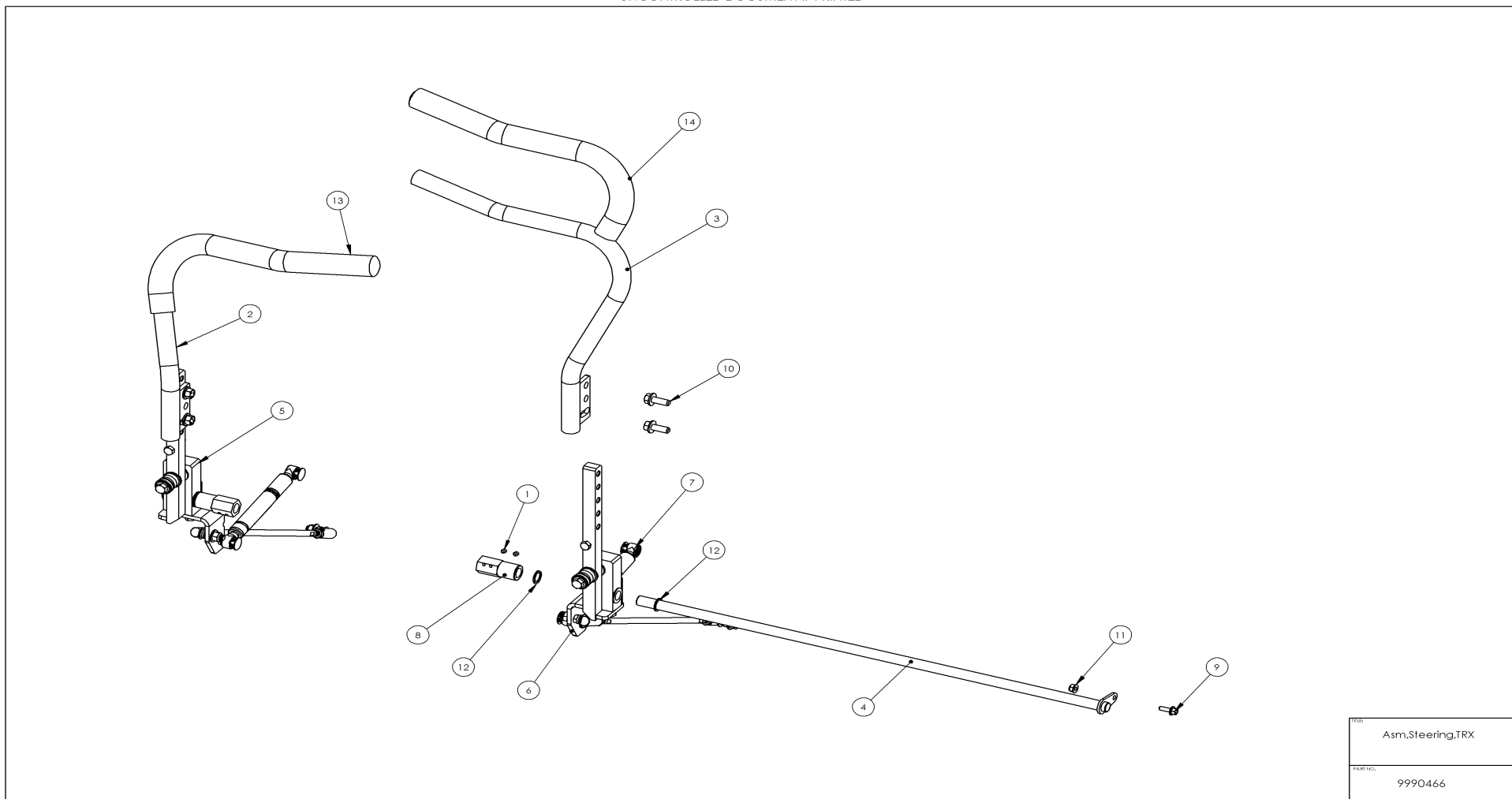


TITLE	TRX 766I V37 A
PART NO.	1055125

Ref#	Part#	Description	Qty
1	9990466	Steering	1
2	9990468	Drive	1
3	9990475	ROPS Assembly	1
4	9990476	Fuel System	1
5	9990479	Deck Lift	1
6	9990592	Seat	1
7	9990593	Front Axle	1
8	9990624	TRACK,SYST,CARTRIDGE,OFFSET IDLER,TRX766	1
9	9990630	Frame	1
10	9990631	Parking Brake	1
11	9990632	Speed Control	1
12	9990641	Engine/Exhaust	1
13	9990693	FOOT REST,SYSTEM,TRX766,2020-21	1
14	9990694	ELECTRICAL,TRX766I V37,2020-21	1
15	9990772	SYS,DECK,ALL-TERRAIN,OFF-SET,TRX766,2021	1

9990466, Steering

UNCONTROLLED DOCUMENT IF PRINTED

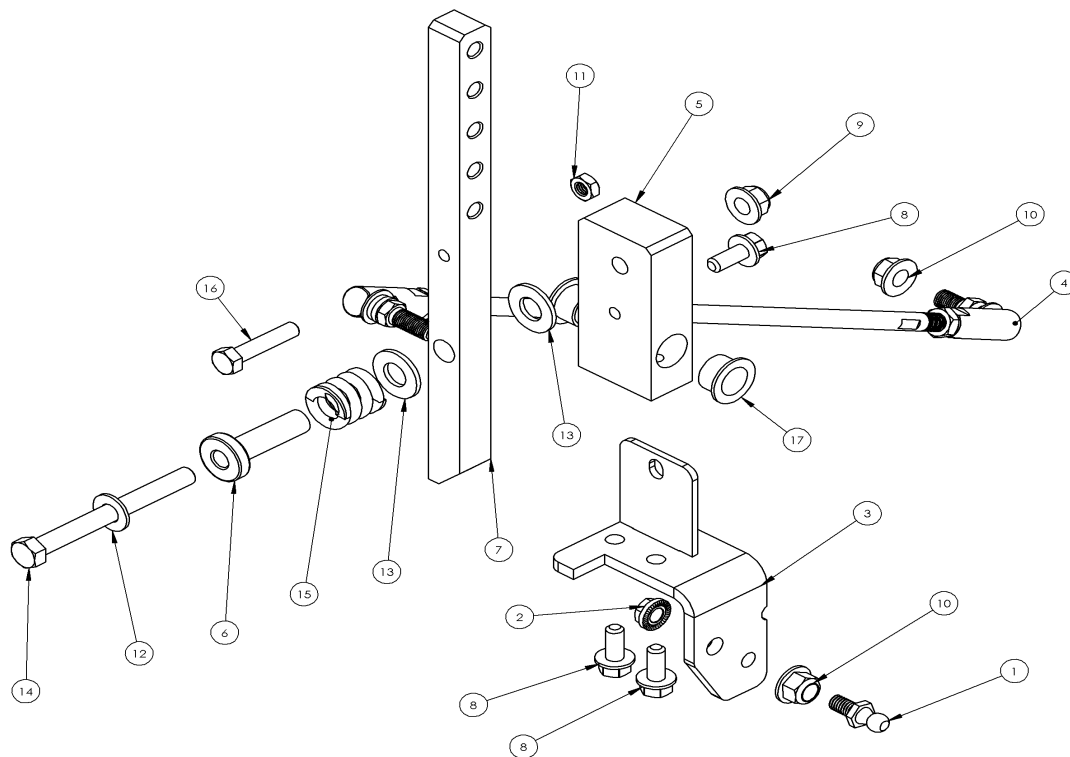


TITLE:	Asm,Steering,TRX
PART NO.:	9990466

Ref#	Part#	Description	Qty
1	4356	SCREW	4
2	1200445	WELD,STEERING ARM,RH,XE/XEHD/XPHD/TRX	1
3	1200446	WELD,STEERING ARM,LH,XE/XEHD/XPHD/TRX	1
4	1200642	WELD,STEERING SHAFT,TRX610/660/766	1
5	2000879	ASM,STEERING CONTROL,RH,TRX610/660	1
6	2000880	ASM,STEERING CONTROL,LH,TRX610/660	1
7	2900266	DAMPER ASSEMBLY	2
8	3103744	HEX,STEERING BLOCK STOP,6061 ALUM,PL	2
9	5000126	BOLT	1
10	5000130	BOLT	4
11	5000156	NUT	1
12	5000478	WASHER	4
13	5500004	STEERING GRIP	1
14	5500004	STEERING GRIP	1

2000879, ASM,STEERING CONTROL,RH,TRX610/660

UNCONTROLLED DOCUMENT IF PRINTED

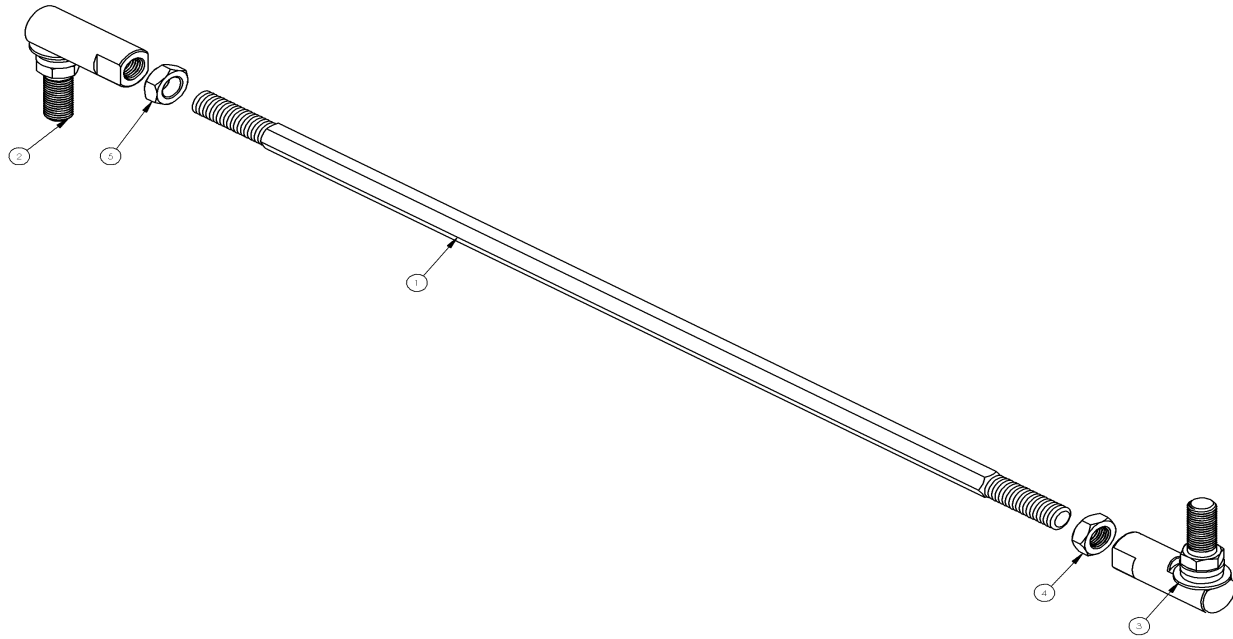


TITLE:	Asm, Steering Control, RH, TRX
PART NO.:	2000879

Ref#	Part#	Description	Qty
1	4264	BALL JOINT	1
2	5424	NUT	1
3	1200636	WELD,STEERING CONTROL,RH,TRX610/660/766	1
4	2000881	ASM,STEERING CONTROL ROD,XPHD/TRX	1
5	3102676	BLOCK,STEERING,XE/XR/XPHD/TRX	1
6	3102915	PIVOT,BUSHING,STEERING BLOCK,TRX	1
7	3102916	MNT,STEERING CONTROL,.75"SQX11.375",ZY	1
8	5000127	BOLT	3
9	5000159	NUT	1
10	5000160	NUT	2
11	5000165	NUT	1
12	5000174	WASHER	1
13	5000176	WASHER	2
14	5000300	SCREW	1
15	5000576	SPRING,DIE,1"ODX.5"IDX1"OAL	1
16	5000644	SCREW,5/16"-18X1-1/2",HHCS,FT,ZY	1
17	5000691	BUSHING,STEERING,PLASTIC,3/4"ODX1/2"	2

2000881, ASM,STEERING CONTROL ROD,XPHD/TRX

UNCONTROLLED DOCUMENT IF PRINTED

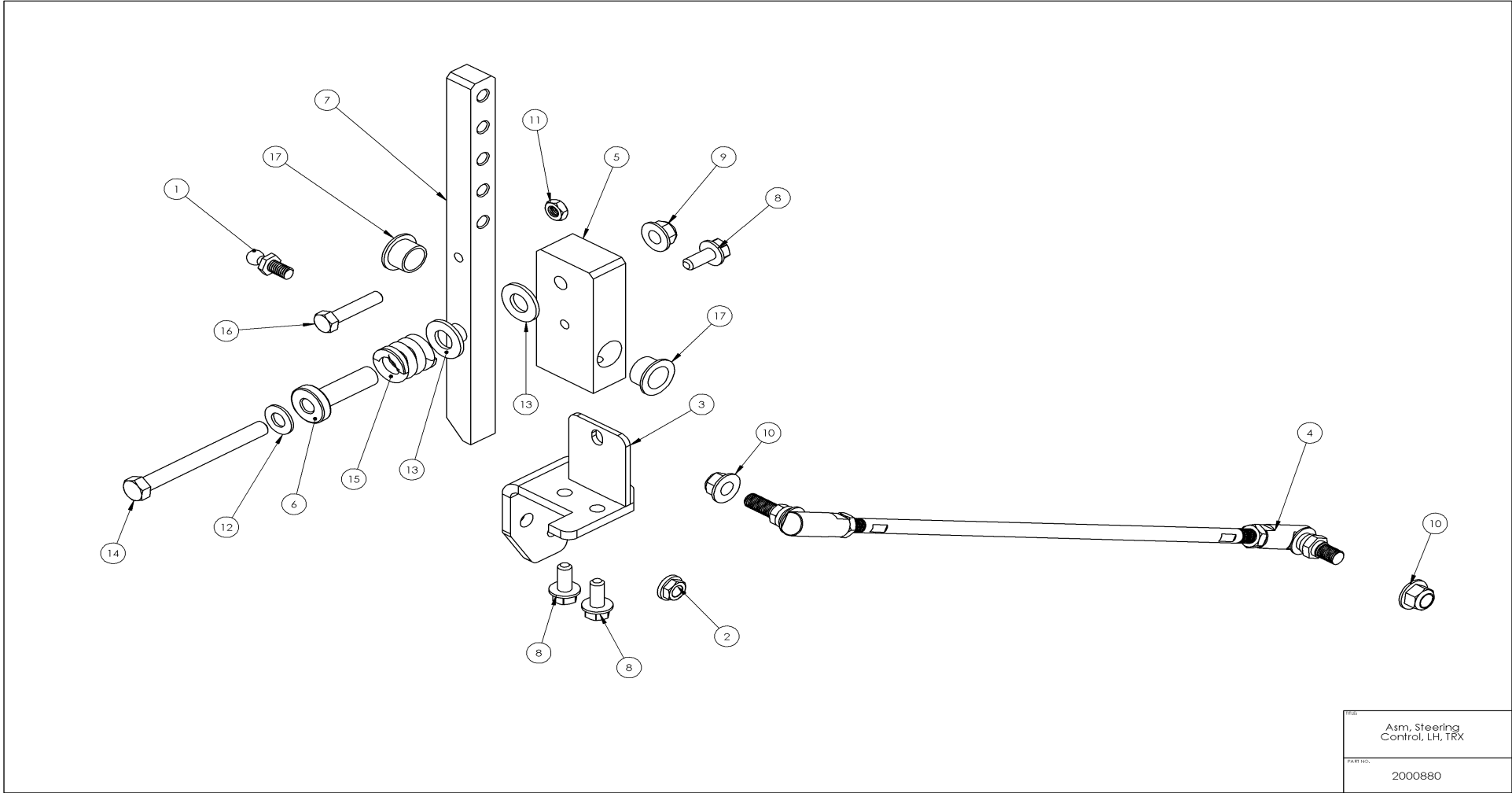


TITLE:	Asm. Steering Control Rod, TRX
PART NO.:	2000881

Ref#	Part#	Description	Qty
1	3103721	CONTROL ROD,STEER,HEX,3/8"-24,14.875",ZY	1
2	5000067	BALL JOINT	1
3	5000069	BALL JOINT	1
4	5000168	NUT	1
5	5000242	NUT	1

2000880, ASM,STEERING CONTROL,LH,TRX610/660

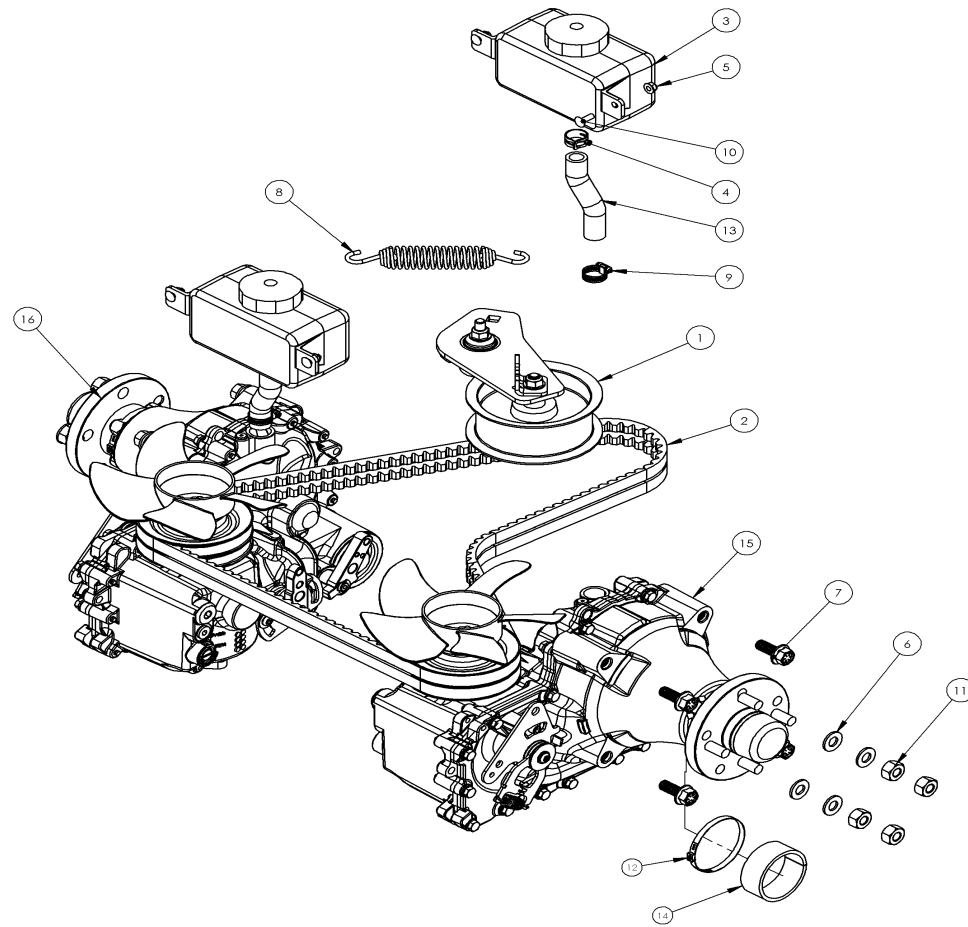
UNCONTROLLED DOCUMENT IF PRINTED



Ref#	Part#	Description	Qty
1	4264	BALL JOINT	1
2	5424	NUT	1
3	1200635	WELD,STEERING CONTROL,LH,TRX610/660/766	1
4	2000881	ASM,STEERING CONTROL ROD,XPHD/TRX	1
5	3102676	BLOCK,STEERING,XE/XR/XPHD/TRX	1
6	3102915	PIVOT,BUSHING,STEERING BLOCK,TRX	1
7	3102916	MNT,STEERING CONTROL,.75"SQX11.375",ZY	1
8	5000127	BOLT	3
9	5000159	NUT	1
10	5000160	NUT	2
11	5000165	NUT	1
12	5000174	WASHER	1
13	5000176	WASHER	2
14	5000300	SCREW	1
15	5000576	SPRING,DIE,1"ODX.5"IDX1"OAL	1
16	5000644	SCREW,5/16"-18X1-1/2",HHCS,FT,ZY	1
17	5000691	BUSHING,STEERING,PLASTIC,3/4"ODX1/2"	2

9990468, Drive

UNCONTROLLED DOCUMENT IF PRINTED

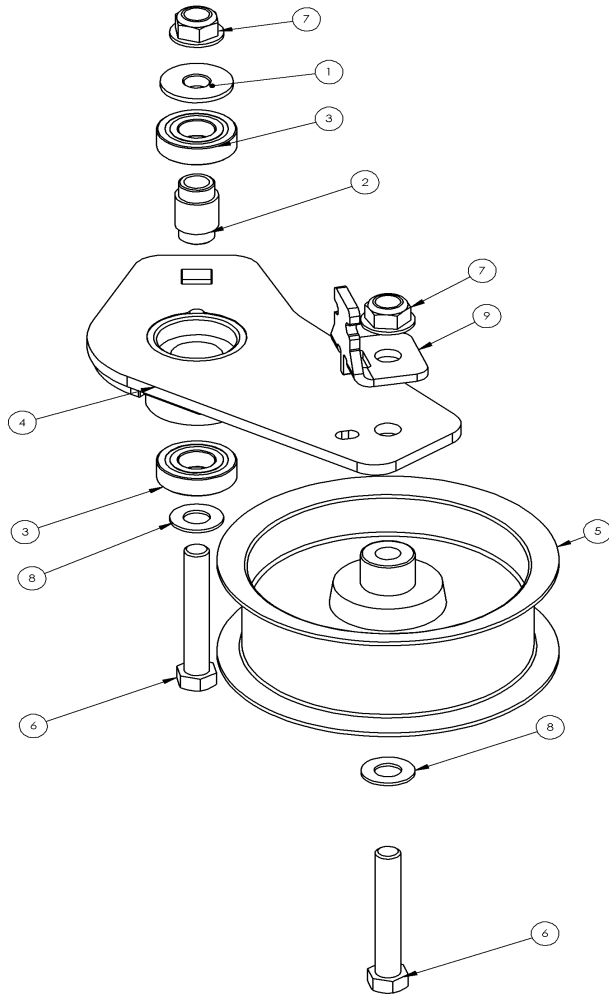


TITLE	Drive, TRX
PART NO.	9990468

Ref#	Part#	Description	Qty
1	2000647	ASM,DRIVE TENSIONER,5",TRX610/660	1
2	2900606	BELT,DRIVE,NOTCHED,BX69,11/18	2
3	4000027	FLUID RESERVIOR 5400	2
4	5000084	UNICLAMP	2
5	5000156	NUT	4
6	5000176	WASHER	8
7	5000243	BOLT	8
8	5000295	SPRING	1
9	5000380	PEX HOSE CLAMP,SS,1",WAVESEAL,CB	2
10	5000492	BOLT	4
11	5000571	NUT	8
12	5000692	PINCH CLAMP,2.968"ID,0.281"WIDE,304SS	2
13	5700071	HOSE,HYDRAULIC TANK,4.75",TRX610/660/766	2
14	5700092	HOSE,TRANS GUARD,2.5"IDX1.125",TRX766	2
15	6200044	TRANS,LH,2 SPEED,ZT 5400,2018	1
16	6200045	TRANS,RH,2 SPEED,ZT 5400,2018	1

2000647, ASM,DRIVE TENSIONER,5",TRX610/660

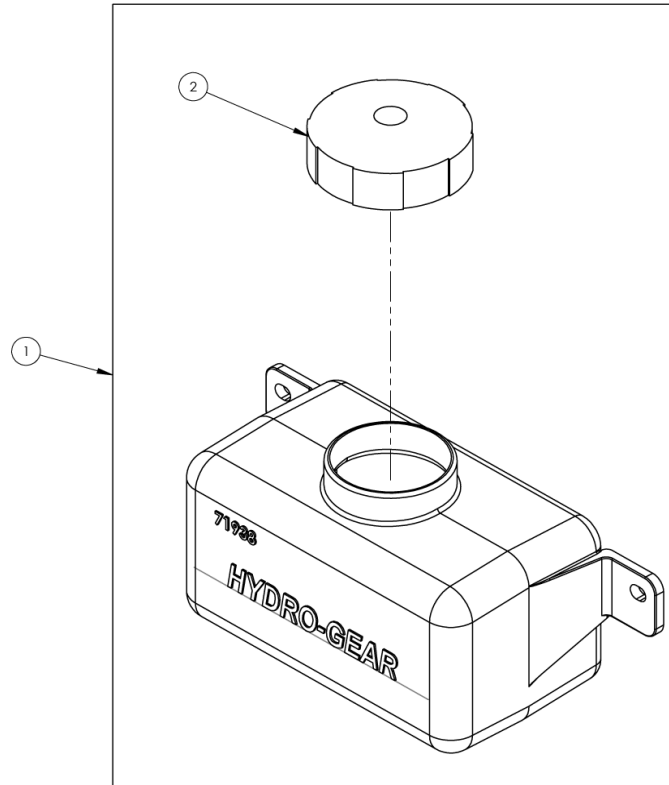
UNCONTROLLED DOCUMENT IF PRINTED



TITLE:	Asm, Drive Tensioner, TRX,5in
PART NO.:	2000647

Ref#	Part#	Description	Qty
1	3100502	LOWER SPACER	1
2	3100503	SLEEVE	1
3	5000082	BEARING	2
4	1200634	WELD,DRIVE TENSIONER,5",TRX610/660/766	1
5	2900523	PULLEY,IDLER,DRIVE,5.85"ODX0.438"IDX2"W	1
6	5000139	SCREW	2
7	5000161	NUT	2
8	5000175	WASHER	2
9	3104092	BRKT,TENSIONER SPRING HOOK,7GA,TRX610/66	1

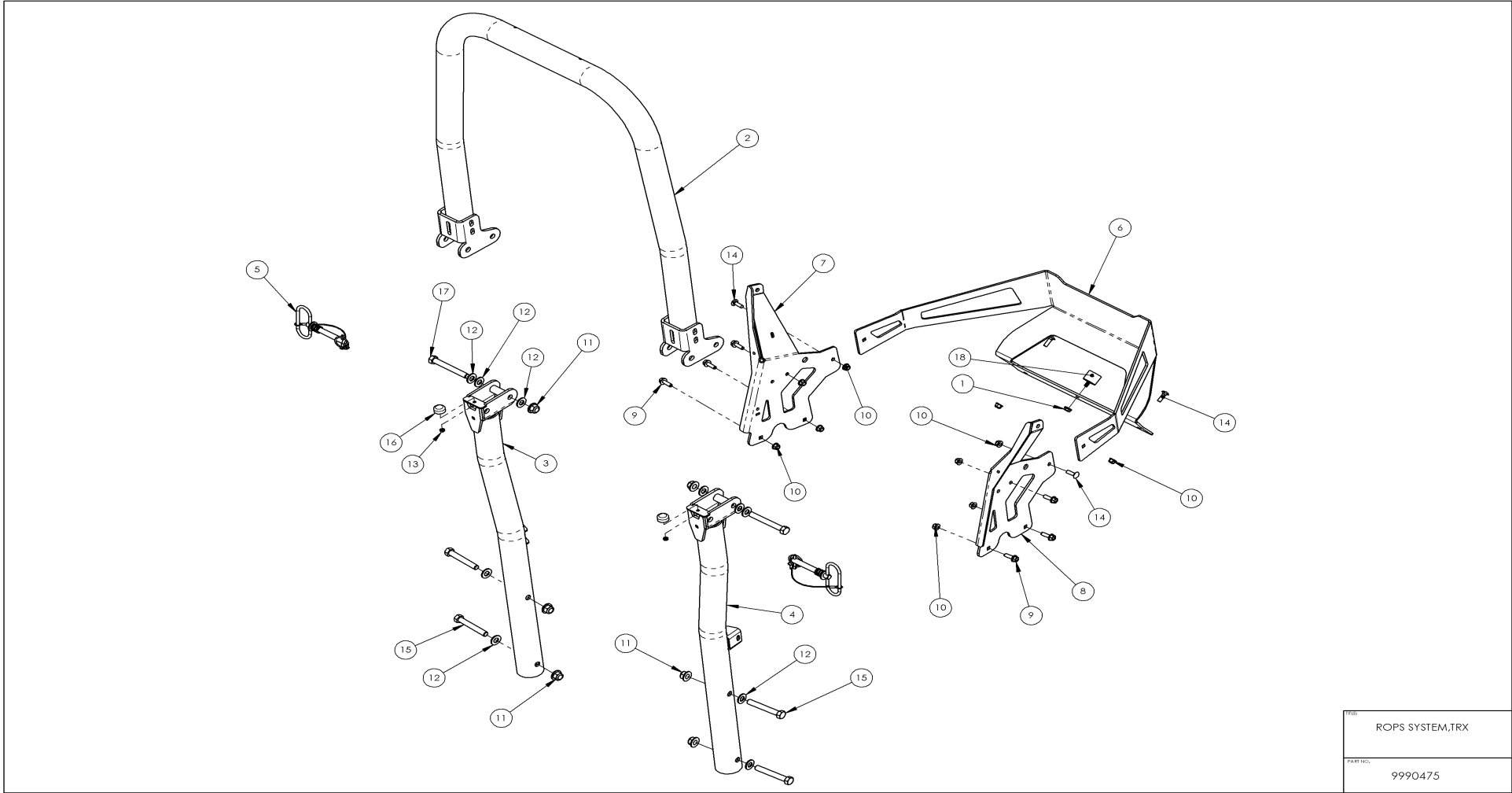
4000027, FLUID RESERVIOR 5400



Ref#	Part#	Description	Qty
2	4000065	CAP,FLUID RESERVOIR,TRANSMISSION	1

9990475, ROPS Assembly

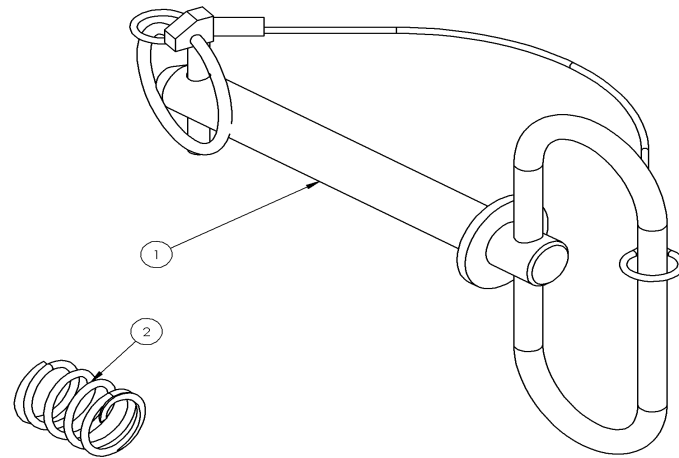
UNCONTROLLED DOCUMENT IF PRINTED



Ref#	Part#	Description	Qty
1	5424	NUT	1
2	1200607	WELD,ROPS,UPPER TUBE,XPHD/TRX	1
3	1200640	WELD,ROPS,LOWER TUBE,RH,TRX766	1
4	1200641	WELD,ROPS,LOWER TUBE,LH,TRX766	1
5	2001120	ASM,ROPS PIN,W/SPRING,XE/XEHD/XPHD/TRX	2
6	3104079	GUARD,ENGINE,7GA,TRX610/660/766	1
7	3104080	BRKT,MTG,ENGINE GUARD,RH,7GA,TRX610/66	1
8	3104081	BRKT,MTG,ENGINE GUARD,LH,7GA,TRX610/66	1
9	5000128	BOLT	6
10	5000157	NUT	10
11	5000162	NUT	6
12	5000176	WASHER	10
13	5000178	NUT	2
14	5000194	BOLT	4
15	5000403	SCREW	4
16	5000566	BUMPER,RUBBER,#10-24 STUD	2
17	5000581	SCREW	2
18	5500007	BUMPER	1

2001120, ASM,ROPS PIN,W/SPRING,XE/XEHD/XPHD/TRX

UNCONTROLLED DOCUMENT IF PRINTED

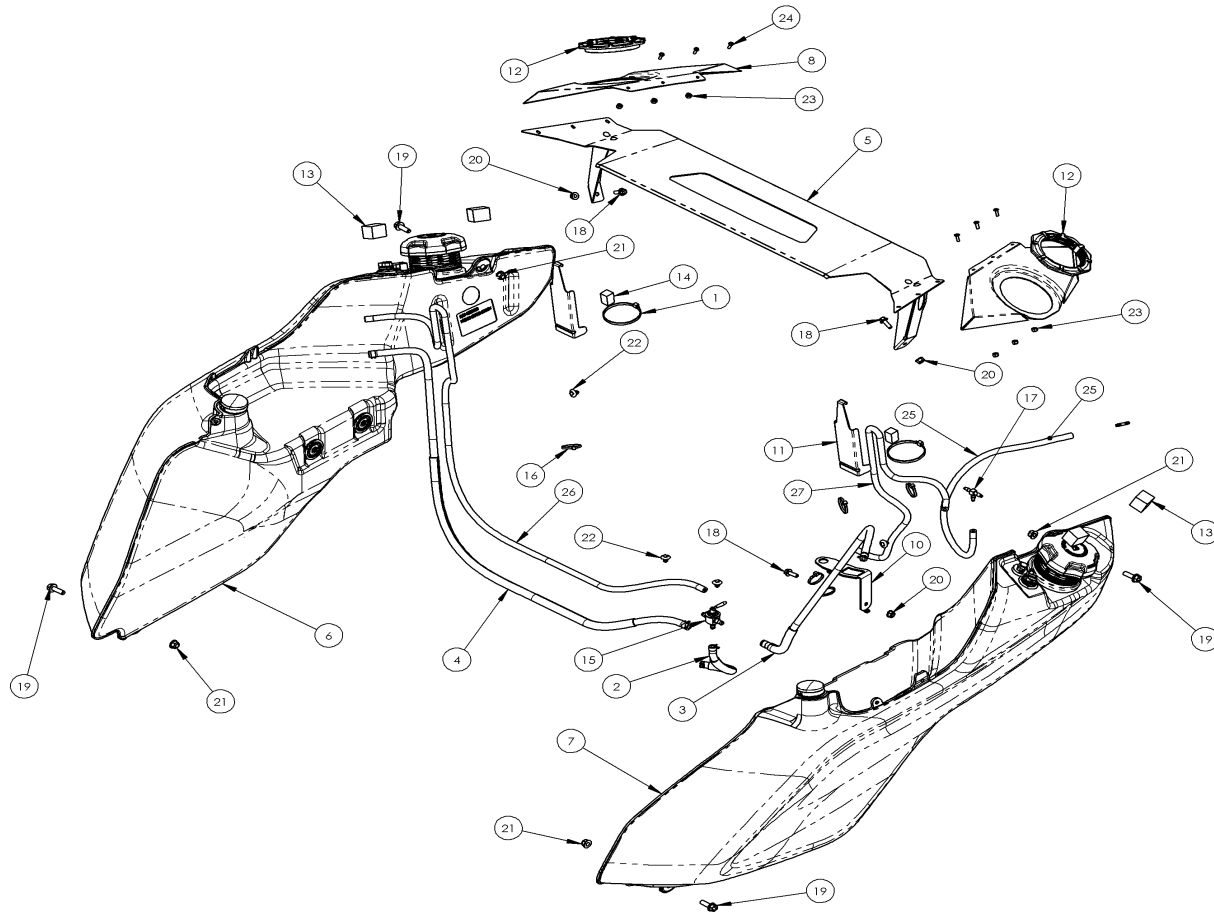


TITLE:	ASM,ROPS PIN, W/SPRING, XE/XPHD/TRX
PART NO.:	2001120

Ref#	Part#	Description	Qty
1	5000656	HITCH PIN,.5"OD,W/LYNCH PIN&LANYARD,ZC	1
2	5000657	SPRING,COMPR,.072"W X.72"OD X.875",ZC	1

9990476, Fuel System

UNCONTROLLED DOCUMENT IF PRINTED



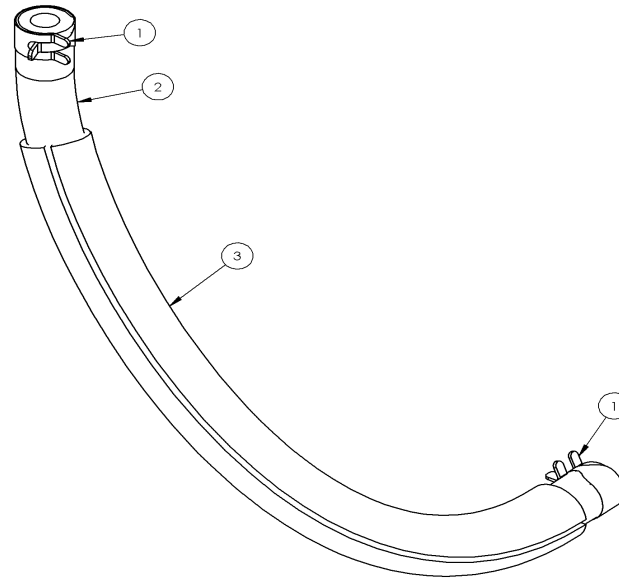
TITLE	FUEL,TRX,V37
PART NO.	9990476

Ref#	Part#	Description	Qty
1	4016	CABLE TIE, 15"	2
2	2000558	ASM,HOSE,FUEL,9",CLMP,SHUTOFF-FILTER	1
3	2000928	ASM,HOSE,FUEL,20",CLMP,XPHD/TRX	1
4	2000933	ASM,HOSE,FUEL,42",CLMP,TRX	1
5	2000963	ASM,ENGINE COVER,TRX610/660	1
6	2000984	TANK,FUEL,RH ASM,XC/XPHD/TRX,05/17	1
7	2000985	TANK,FUEL,LH ASM,XC/XPHD/TRX,05/17	1
8	3103899	COVER,FUEL TANK,RH,16GA,XPHD/TRX	1
9	3103900	COVER,FUEL TANK,LH,16GA,XPHD/TRX	1
10	3103902	BRKT,FUEL SHUTOFF,12GA,XPHD/TRX561/66	1
11	3105190	COVER,VENT LINE,18GA,TRX561/766	2
12	4000019	RETAINER	2
13	4050025	FOAM	4
14	4050051	FOAM,ADHESIVE,5/8"Tx1"Wx5/8"L,EPDM	4
15	5000060	VALVE	1
16	5000062	CABLE TIE	6
17	5000085	BARBED TEE	1
18	5000126	BOLT	3
19	5000128	BOLT	4
20	5000156	NUT	3
21	5000157	NUT	4
22	5000254	CABLE TIE	4
23	5000574	NUT	6
24	5000664	SCREW,#8-32X1/2",PPHMS,18-8 SS	6
25	5700041	HOSE,VAPOR,CTL,3/16"IDX19.50",T-ENGINE	1
26	5700079	HOSE,VAPOR,CTL,3/16"IDX63"	1

27 5700090 HOSE,VAPOR,CTL,3/16"IDX37",TRX561/766 1

2000558, ASM,HOSE,FUEL,9",CLMP,SHUTOFF-FILTER

UNCONTROLLED DOCUMENT IF PRINTED

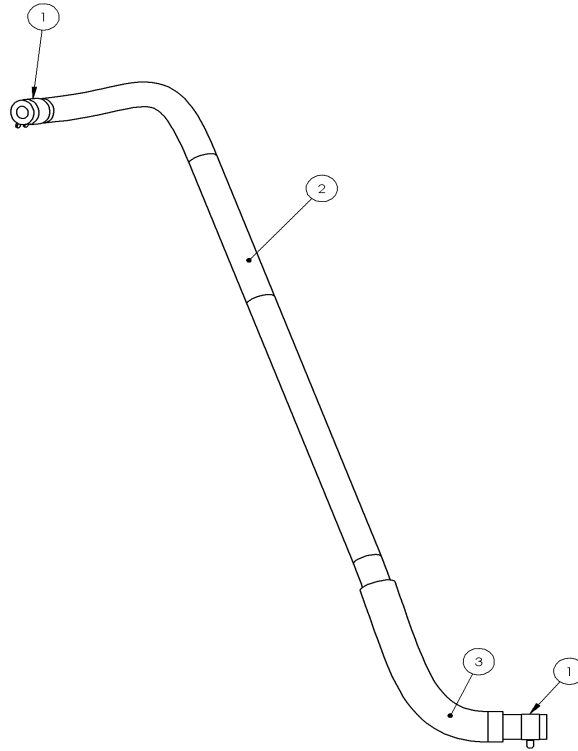


TITLE:	ASM,HOSE,FUEL, SHUTOFF-FILTER
PART NO.:	2000558

Ref#	Part#	Description	Qty
1	5000066	CLAMP	2
2	5700038	HOSE,FUEL,CTL,1/4"IDX9",SHUTOFF-FILTER	1
3	8200213	CONDUIT,NYLON,COR,GRAY STRIPE,CTL.7"	1

2000928, ASM,HOSE,FUEL,20",CLMP,XPHD/TRX

UNCONTROLLED DOCUMENT IF PRINTED

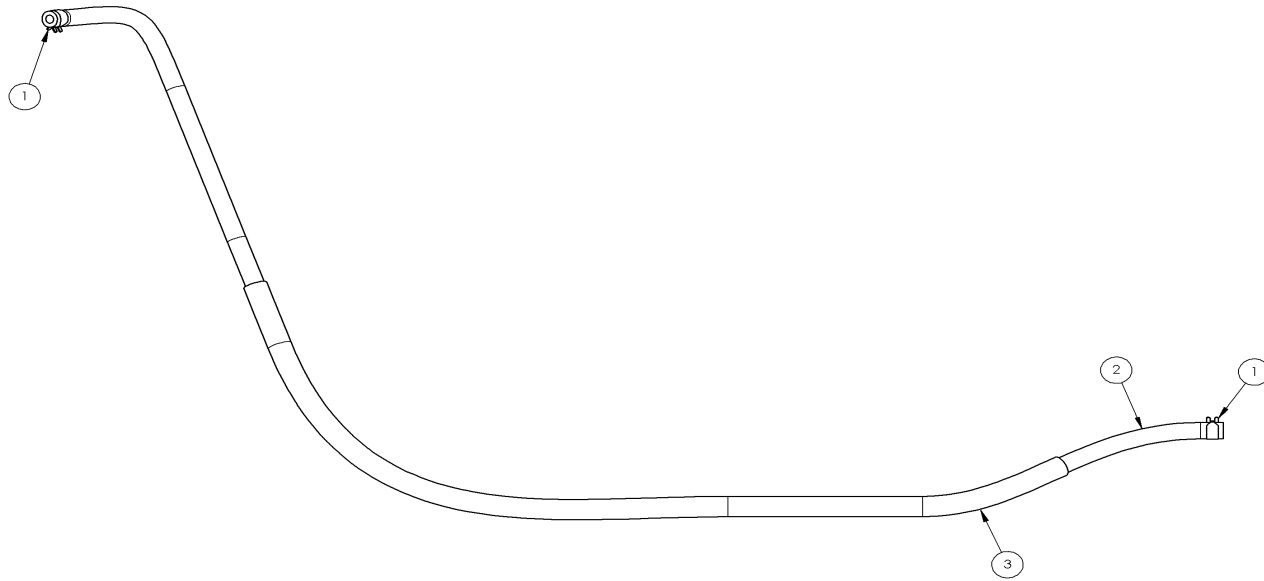


TITLE:	ASM,HOSE,FUEL
PART NO.:	2000928

Ref#	Part#	Description	Qty
1	5000066	CLAMP	2
2	5700073	HOSE,FUEL,CTL,1/4"IDX20"	1
3	8200256	CONDUIT,NYLON,COR,GRAY STRIPE,CTL,4.00"	1

2000933, ASM,HOSE,FUEL,42",CLMP,TRX

UNCONTROLLED DOCUMENT IF PRINTED

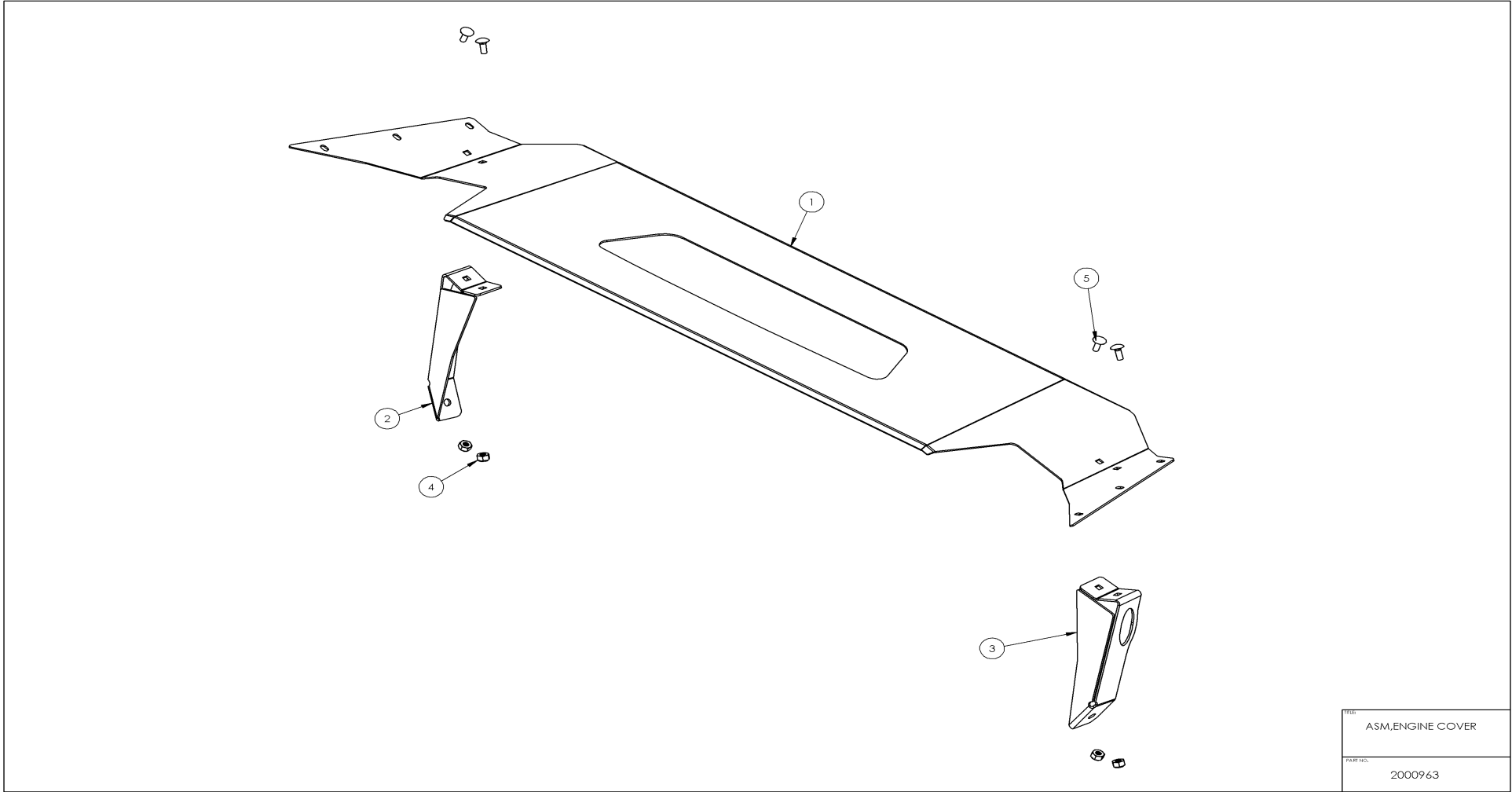


TITLE:	ASM,HOSE,FUEL
PART NO.:	2000933

Ref#	Part#	Description	Qty
1	5000066	CLAMP	2
2	5700078	HOSE,FUEL,CTL,1/4"IDX42"	1
3	8200255	CONDUIT,NYLON,COR,GRAY STRIPE,CTL,25.00"	1

2000963, ASM,ENGINE COVER,TRX610/660

UNCONTROLLED DOCUMENT IF PRINTED

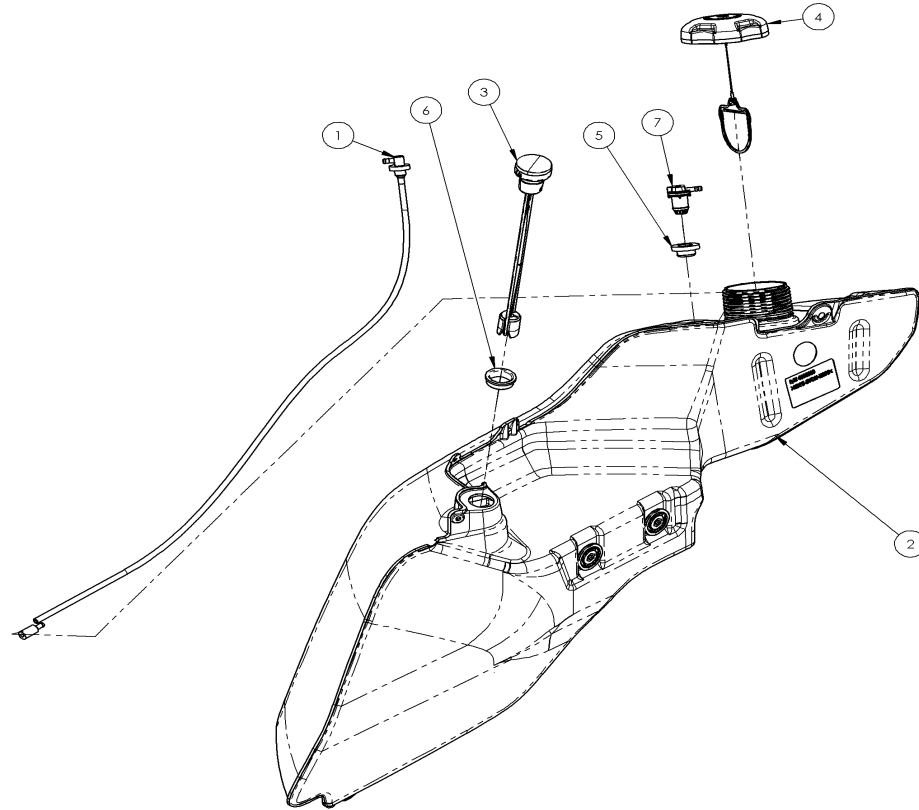


TITLE:	ASM,ENGINE COVER
PART NO.:	2000963

Ref#	Part#	Description	Qty
1	3104570	COVER,ENGINE,16GA,TRX610/660/766	1
2	3104571	MNT BRKT,ENGINE COVER,RH,14GA,TRX610/66	1
3	3104572	MNT BRKT,ENGINE COVER,LH,14GA,TRX610/66	1
4	5000179	NUT	4
5	5000663	BOLT,CARRIAGE,#10-24X1/2",18-8 SS	4

2000984, TANK,FUEL,RH ASM,XC/XPHD/TRX,05/17

UNCONTROLLED DOCUMENT IF PRINTED

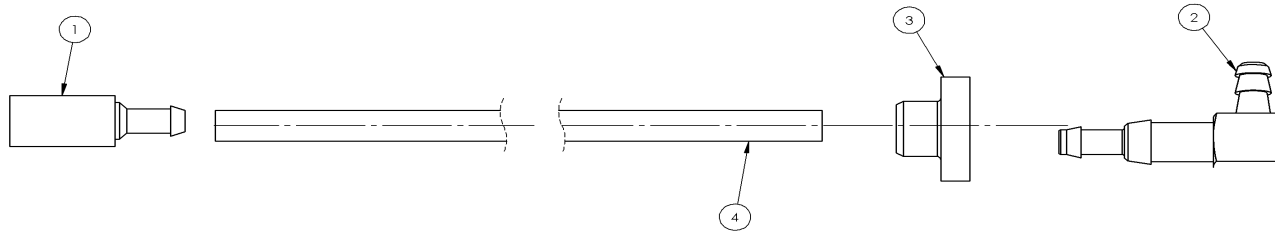


TITLE	TANK,GAS,RH ASSY
PART NO.	2000984

Ref#	Part#	Description	Qty
1	2000133	PICK-UP,FUEL ASM,XC/XPHD/TRX	1
2	2000994	TANK,FUEL,RH,W/FILL NECK (#2000984)	1
3	2900548	GAUGE,GAS-KELCH	1
4	2900616	CAP,GAS,3.5",RATCHET,W/PRINTING,05/19	1
5	5000081	GROMMET	1
6	5000315	GROMMET	1
7	6500023	VENT,REMOTE,KELCH	1

2000133, PICK-UP, FUEL ASM, XC/XPHD/TRX

UNCONTROLLED DOCUMENT IF PRINTED

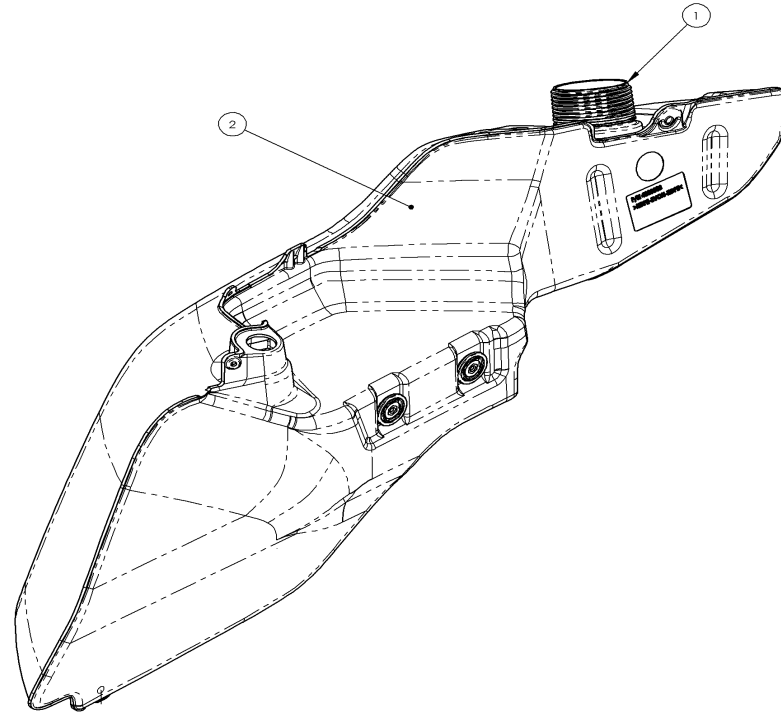


TITLE:	PICK-UP, FUEL ASM
PART NO.:	2000133

Ref#	Part#	Description	Qty
1	5000046	PICK-UP,FUEL W/ FILTER	1
2	5000048	ELBOW,90°,FUEL PICK-UP	1
3	5000049	GROMMET	1
4	5700002	HOSE,FUEL PICKUP,3/16"IDX38",XC/XPHD/TRX	1

2000994, TANK,FUEL,RH,W/FILL NECK (#2000984)

UNCONTROLLED DOCUMENT IF PRINTED

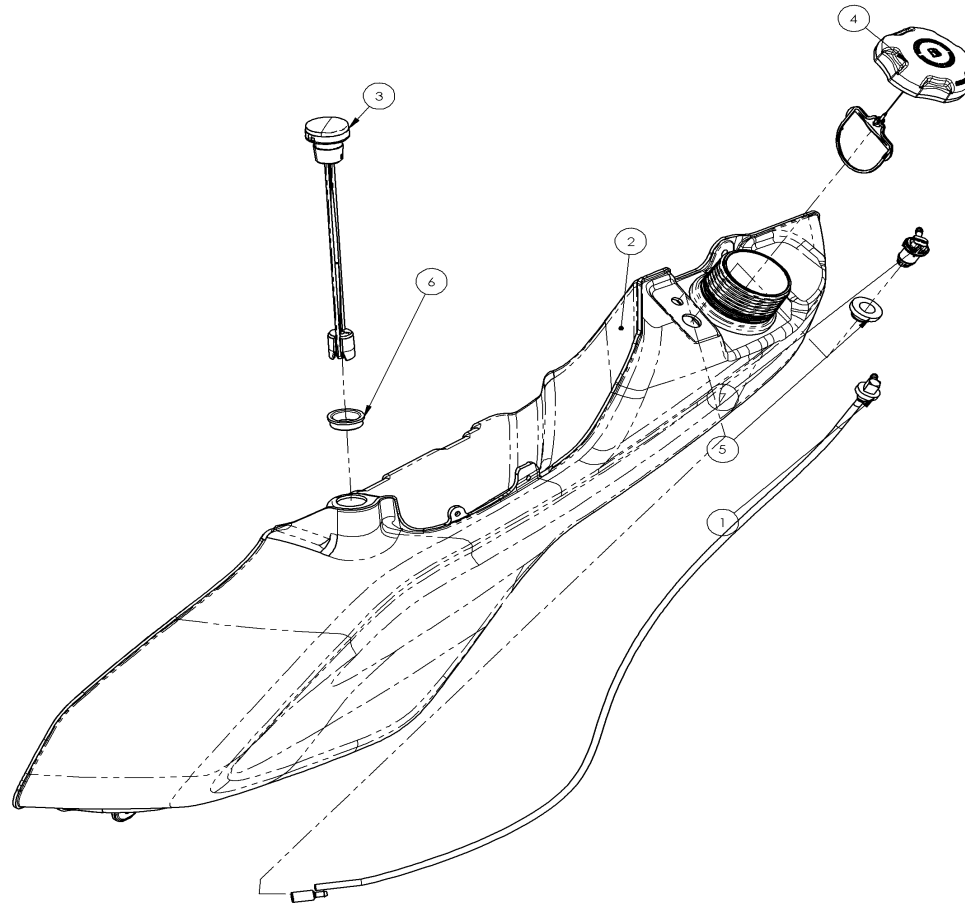


TITLE	TANK,GAS,RH,W/FILL NECK
PART NO.	2000994

Ref#	Part#	Description	Qty
1	4000013	NECK,FILL,3.5 BUTTRESS THREADS X 5	1
2	4000116	TANK,FUEL,ROUTED,RH,05/17 (#2000994)	1

2000985, TANK,FUEL,LH ASM,XC/XPHD/TRX,05/17

UNCONTROLLED DOCUMENT IF PRINTED

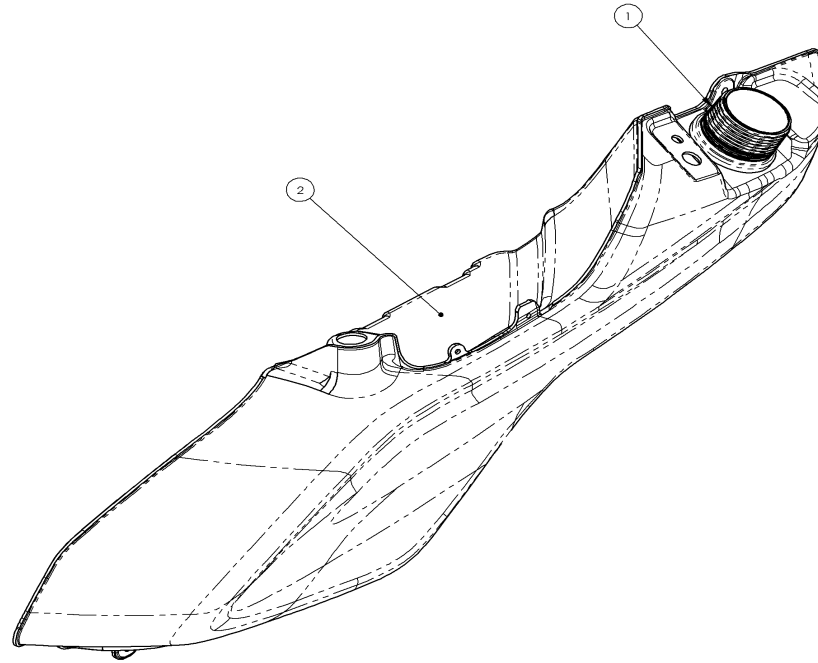


TITLE:	TANK,GAS,LH,ASM
PART NO.:	2000985

Ref#	Part#	Description	Qty
1	2000133	PICK-UP,FUEL ASM,XC/XPHD/TRX	1
2	2000993	TANK,FUEL,LH,W/FILL NECK (#2000985)	1
3	2900548	GAUGE,GAS-KELCH	1
4	2900616	CAP,GAS,3.5",RATCHET,W/PRINTING,05/19	1
5	5000081	GROMMET	1
6	5000315	GROMMET	1
7	6500023	VENT,REMOTE,KELCH	1

2000993, TANK,FUEL,LH,W/FILL NECK (#2000985)

UNCONTROLLED DOCUMENT IF PRINTED

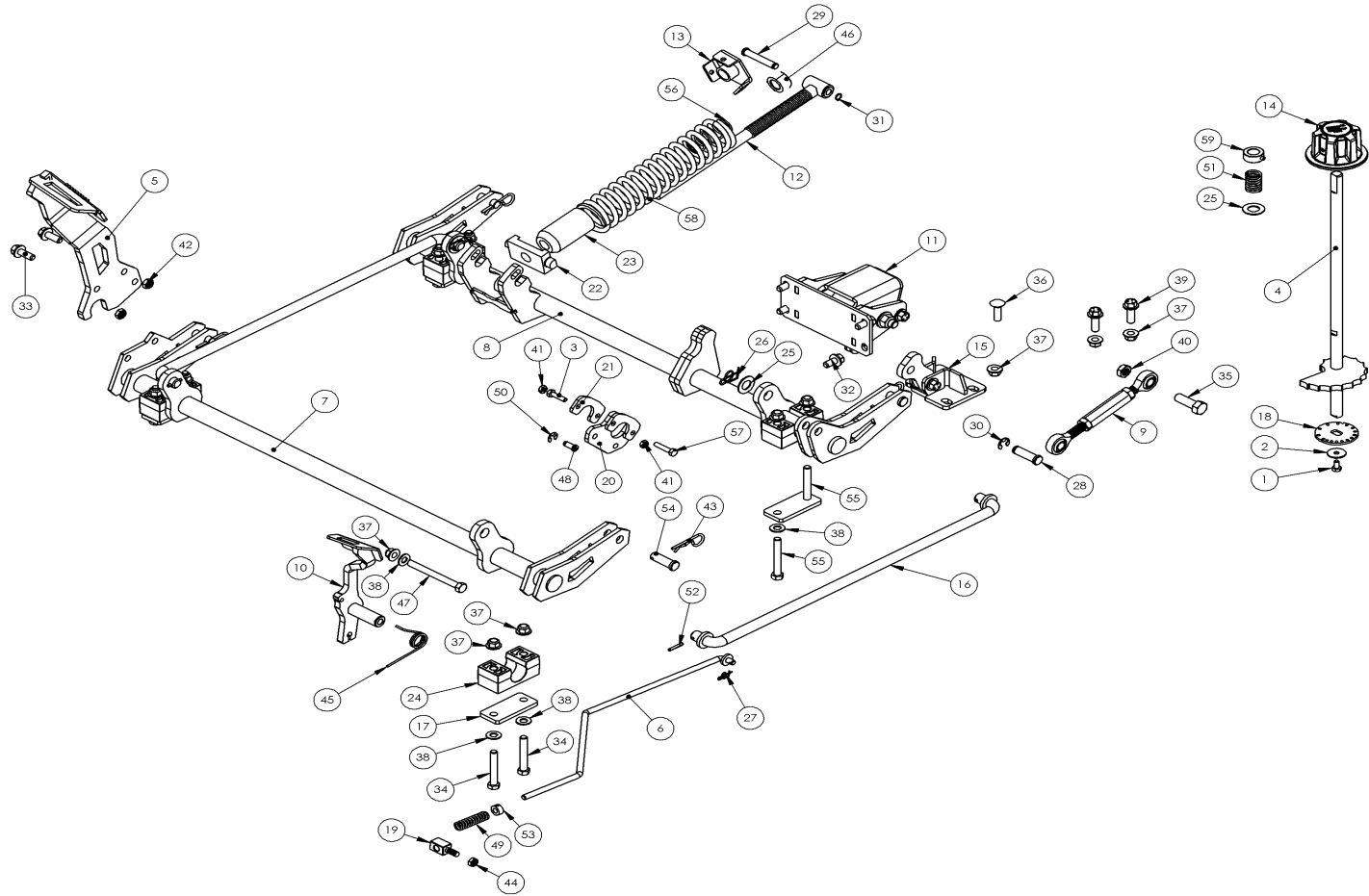


TITLE:	TANK,GAS,LH W/FILL NECK
PART NO.:	2000993

Ref#	Part#	Description	Qty
1	4000013	NECK,FILL,3.5 BUTTRESS THREADS X 5	1
2	4000117	TANK,FUEL,ROUTED,LH,05/17 (#2000993)	1

9990479, Deck Lift

UNCONTROLLED DOCUMENT IF PRINTED



ITEM:	DECK LIFT, TRX
PART NO.:	9990479

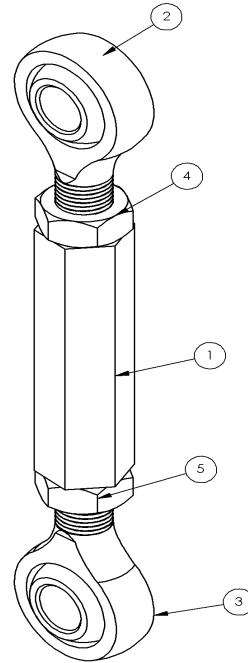
Ref#	Part#	Description	Qty
1	5082	SCREW	1
2	5083	WASHER	1
3	5726	SCREW	1
4	1200101	WELD,HOC SHAFT/CAM,XC/XPHD/TRX	1
5	1200455	WELD,DECK LIFT PEDAL,BOLT,XC/XPHD/TRX	1
6	1200520	TIE ROD,DECK RELEASE,OFFSET,ZY	1
7	1200672	WELD,FRONT JACKSHAFT,DECK,TRX610/66	1
8	1200673	WELD,REAR JACKSHAFT,DECK,TRX610/660/766	1
9	2000195	ASM,DECK HEIGHT LINK,XC/XPHD/TRX	1
10	2000350	ASM,DECK RELEASE PEDAL,ARG,XC/XPHD/TRX	1
11	2000351	ASM,DECK LIFT CATCH MNT,XC/XPHD/TRX	1
12	2000352	ASM,LIFT SPRING SHAFT W/BUSH,XC/XPHD/TRX	1
13	2000366	ASM,SPRING RETAIN/BUSH,LIFT,XC/XPHD/TRX	1
14	2000771	ASM,ADMNT KNOB,DECK HEIGHT,XC/XPHD/TRX	1
15	2000936	ASM,CAM ARM PIVOT ARM,HOC,TRX610/660	1
16	3100477	WIRE TIE BAR	2
17	3100723	PLATE,BUSHING,MD JS,.25",XC/XPHD/TRX	4
18	3100904	TIMING PLATE,SLOTS,HOC,10GA,XC/XPHD/TRX	1
19	3100960	BRAKE LINK SLIDE	1
20	3101222	COLLAR,DECK LIFT,.25",XC/XPHD/TRX	1
21	3101223	COLLAR,DECK LIFT,7GA,XC/XPHD/TRX	2
22	3101226	DECK SPRING STOP	1
23	4000062	SPRING RETAINER SLEEVE	1
24	4000114	SNAP MOUNT,JACKSHAFT,MOLDED	4
25	5000055	WASHER	3
26	5000094	COTTER PIN	2

27	5000096	COTTER PIN	1
28	5000097	CLEVIS PIN	1
29	5000098	CLEVIS PIN	1
30	5000102	E-RING	1
31	5000105	RING	1
32	5000129	BOLT	4
33	5000130	BOLT	2
34	5000136	SCREW	4
35	5000142	SCREW	1
36	5000147	BOLT	1
37	5000159	NUT	12
38	5000174	WASHER	9
39	5000185	BOLT	2
40	5000217	NUT	1
41	5000221	NUT	2
42	5000222	NUT	2
43	5000258	COTTER	4
44	5000274	NUT	1
45	5000294	SPRING	1
46	5000298	NUT	1
47	5000300	SCREW	1
48	5000301	CLEVIS PIN	1
49	5000306	SPRING	1
50	5000319	E-RING	1
51	5000339	SPRING	1
52	5000401	SPRING PIN,5/32X1.0",ZC	2
53	5000452	COLLAR,SHAFT,W/SET SCREW,8MM ID,BLK OX	1

54	5000563	CLEVIS PIN,W/HOLE,1/2"ODX1-1/2"L,ZY	4
55	5000564	SCREW	4
56	5000643	SPRING,COMPR,.095"W X1"ODX2.5",ZY	1
57	5000652	SCREW,1/4"-20X1-1/4",HHCS,GR8,ZY	1
58	5000669	SPRING,COMPR,.283"W X2.262"ODX10",ZY	1
59	5000685	COLLAR,SHAFT,W/SET SCREW,16MM ID,ZC	1

2000195, ASM,DECK HEIGHT LINK,XC/XPHD/TRX

UNCONTROLLED DOCUMENT IF PRINTED

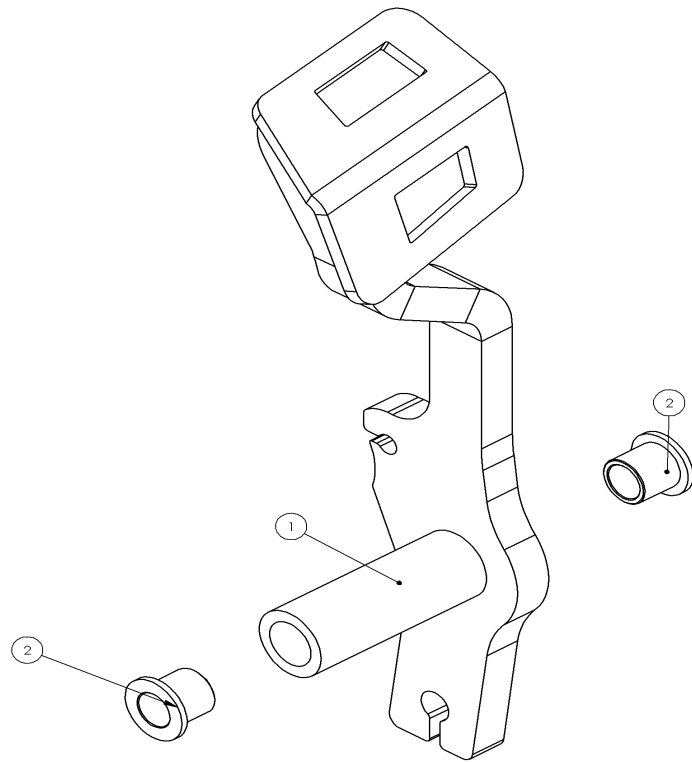


TITLE:	MD Height Link Assem
PART NO.:	2000195

Ref#	Part#	Description	Qty
1	5000076	NUT	1
2	5000078	ROD END	1
3	5000079	ROD END	1
4	5000170	NUT	1
5	5000171	NUT	1

2000350, ASM,DECK RELEASE PEDAL,ARG,XC/XPHD/TRX

UNCONTROLLED DOCUMENT IF PRINTED

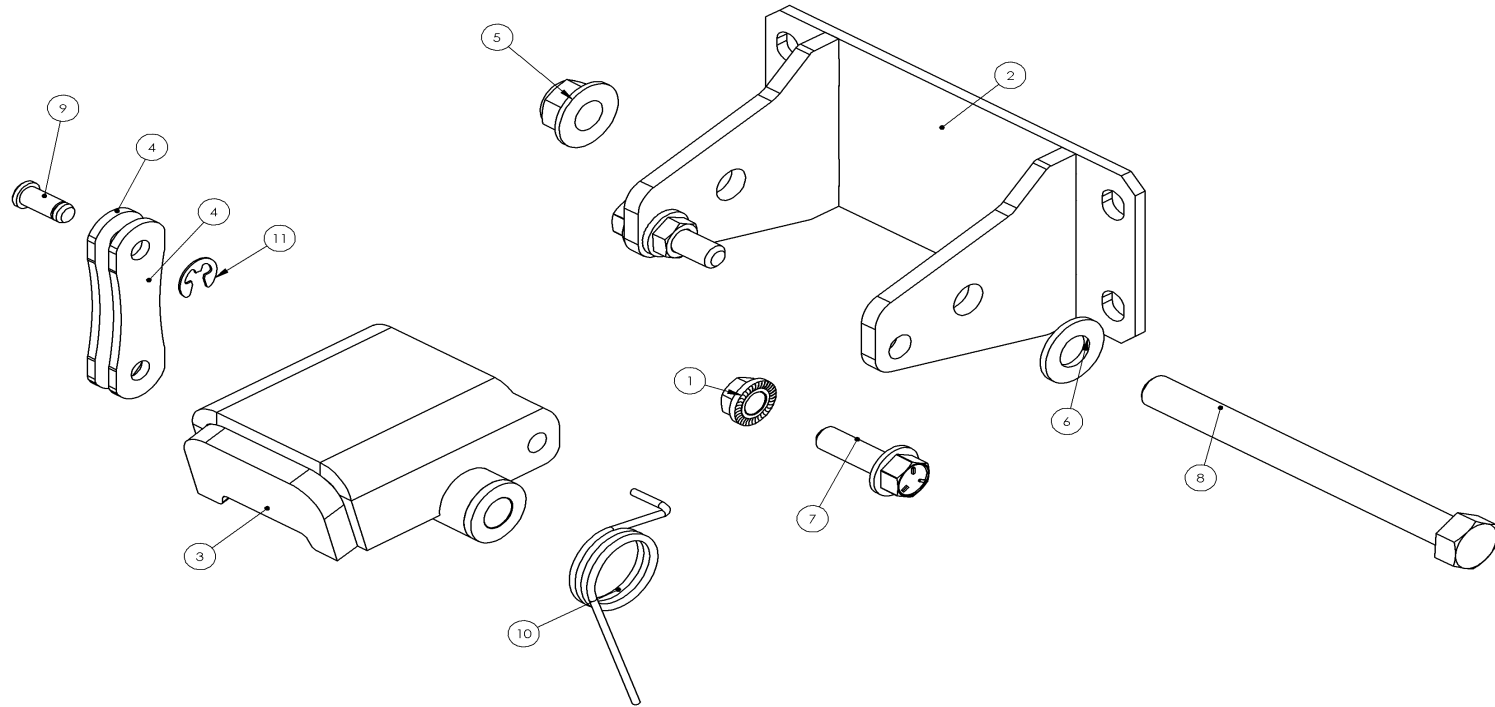


TITLE:	Assem, Release Pedal w Bushings, XCS
PART NO.:	2000350

Ref#	Part#	Description	Qty
1	1200201	WELD,DECK RELEASE PEDAL,XC/XPHD/TRX	1
2	5000270	BUSHING	2

2000351, ASM,DECK LIFT CATCH MNT,XC/XPHD/TRX

UNCONTROLLED DOCUMENT IF PRINTED

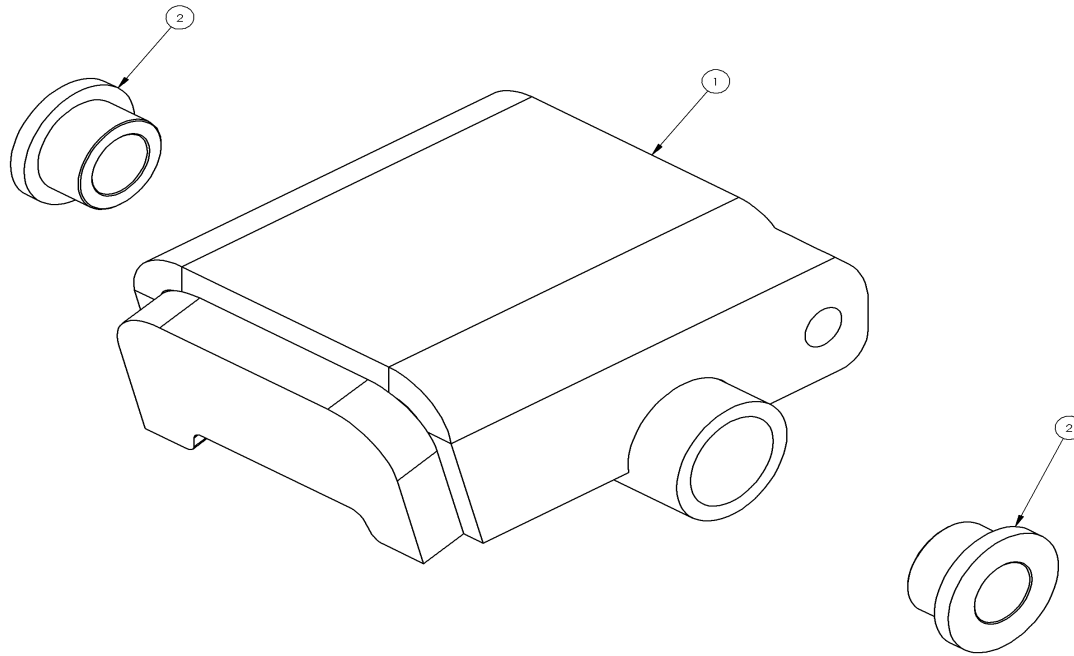


TITLE:	Assem, Deck Lift Catch Mnt, XCS
PART NO.:	2000351

Ref#	Part#	Description	Qty
1	7787	NUT	2
2	1200205	WELD,DECK CATCH BASE,XC/XPHD/TRX	1
3	2000349	ASM,DECK STOP CATCH W/BUSH,XC/XPHD/TRX	1
4	3101227	CAM LINK,DECK LIFT,10GA,XC/XPHD/TRX	2
5	5000162	NUT	1
6	5000176	WASHER	1
7	5000185	BOLT	2
8	5000299	SCREW	1
9	5000301	CLEVIS PIN	1
10	5000302	TORSION SPRING	1
11	5000319	E-RING	1

2000349, ASM,DECK STOP CATCH W/BUSH,XC/XPHD/TRX

UNCONTROLLED DOCUMENT IF PRINTED

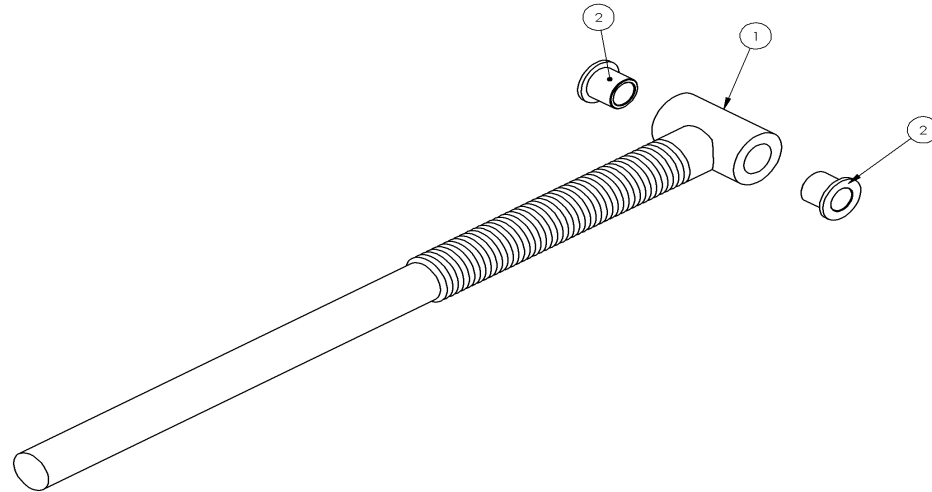


TITLE:	Assem, Deck Stop Catch w Bushings, XCS
PART NO.:	2000349

Ref#	Part#	Description	Qty
1	1200200	WELD,DECK STOP CATCH,XC/XPHD/TRX	1
2	5000090	BUSHING	2

2000352, ASM,LIFT SPRING SHAFT W/BUSH,XC/XPHD/TRX

UNCONTROLLED DOCUMENT IF PRINTED

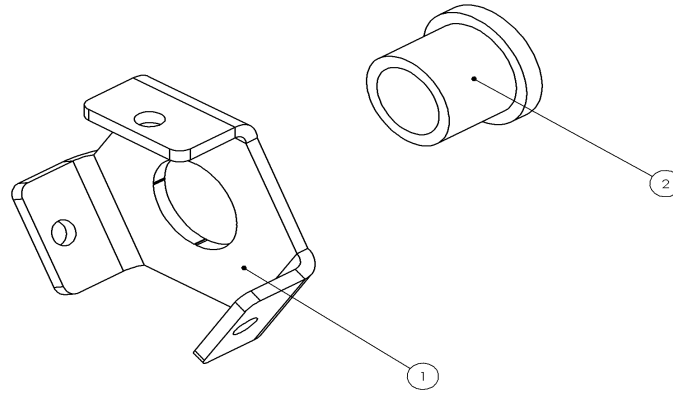


TITLE:	Assem, Lift Spring Shaft w Bushings, XCS
PART NO.:	2000352

Ref#	Part#	Description	Qty
1	1200202	WELD,LIFT SPRING SHAFT,XC/XPHD/TRX	1
2	5000270	BUSHING	2

2000366, ASM,SPRING RETAIN/BUSH,LIFT,XC/XPHD/TRX

UNCONTROLLED DOCUMENT IF PRINTED

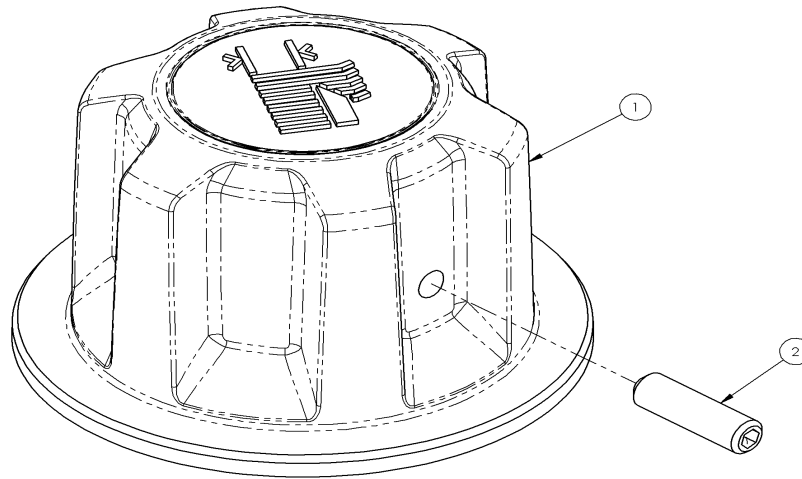


TITLE:	Assem, Spring Retainer/Bushing, Deck Lift
PART NO.:	2000366

Ref#	Part#	Description	Qty
1	3101233	SPRING RETAINER,DK LIFT,10GA,XC/XPHD/TRX	1
2	5000093	BUSHING	1

2000771, ASM,ADJMNT KNOB,DECK HEIGHT,XC/XPHD/TRX

UNCONTROLLED DOCUMENT IF PRINTED

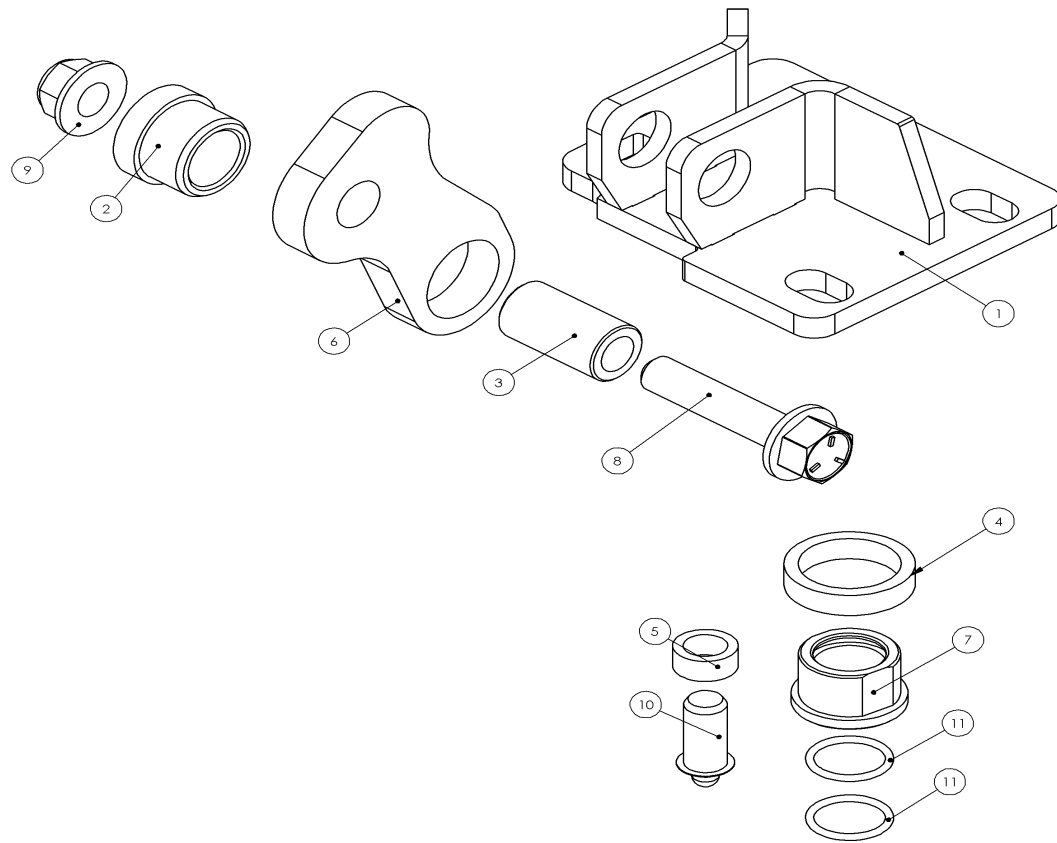


ITEM:	ASSY,KNOB, ADJUSTMENT,DECK HEIGHT
PART NO.:	2000771

Ref#	Part#	Description	Qty
1	4000105	KNOB,ADJUSTMENT,DECK HEIGHT,MACHINED	1
2	5000684	SCREW,1/4"-20X7/8",HEX SET-CUP PT,SS	1

2000936, ASM,CAM ARM PIVOT ARM,HOC,TRX610/660

UNCONTROLLED DOCUMENT IF PRINTED

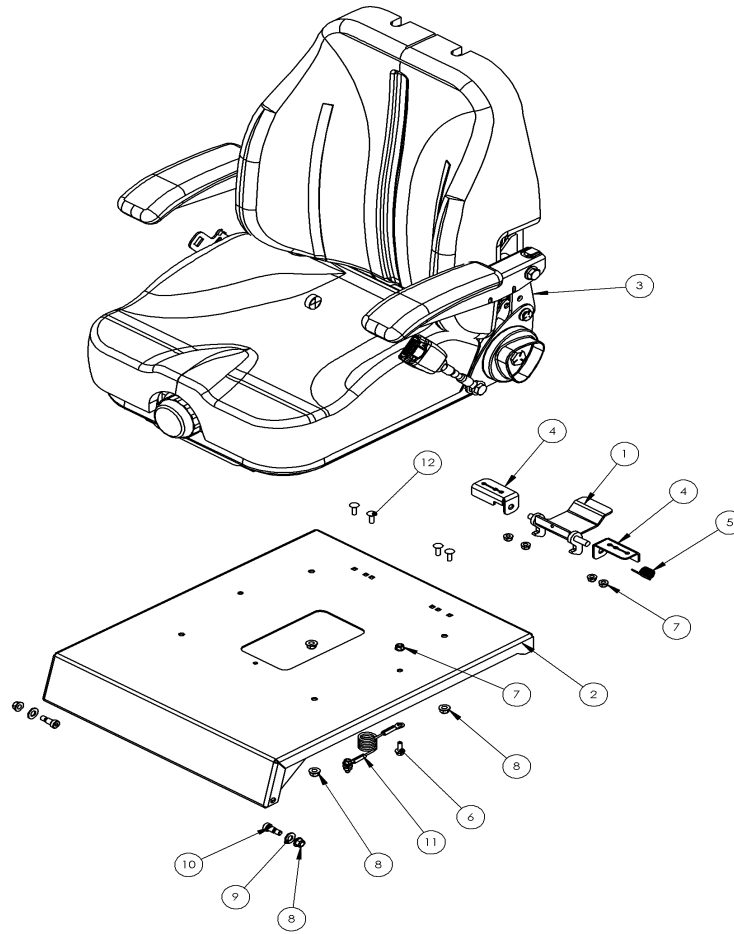


TITLE:	Assem, Cam Arm, Deck Height, TRX
PART NO.:	2000936

Ref#	Part#	Description	Qty
1	1200638	WELD,CAM MNT,DECK STOP,XPHD/TRX	1
2	3100620	BUSHING	1
3	3104034	PIVOT SHAFT,DECK STOP,.625"ODX1.14",ZY	1
4	3104035	SPACER,SEAL-BUSHING,LIFT,.25",XPHD/TRX	1
5	3104036	SPACER,SPRING PLUNGER,LIFT,.25",XPHD/TRX	1
6	3104335	AXIALLY STEP CAM STOP ARM,.375",TRX61/66	1
7	4000083	BUSHING,FLANGE,O-RING,.63IDX.875ODX.625"	1
8	5000131	BOLT	1
9	5000159	NUT	1
10	5000184	SPRING PLUNGER	1
11	5000434	O-RING,SIZE-016,BUNA-N	2

9990592, Seat

UNCONTROLLED DOCUMENT IF PRINTED

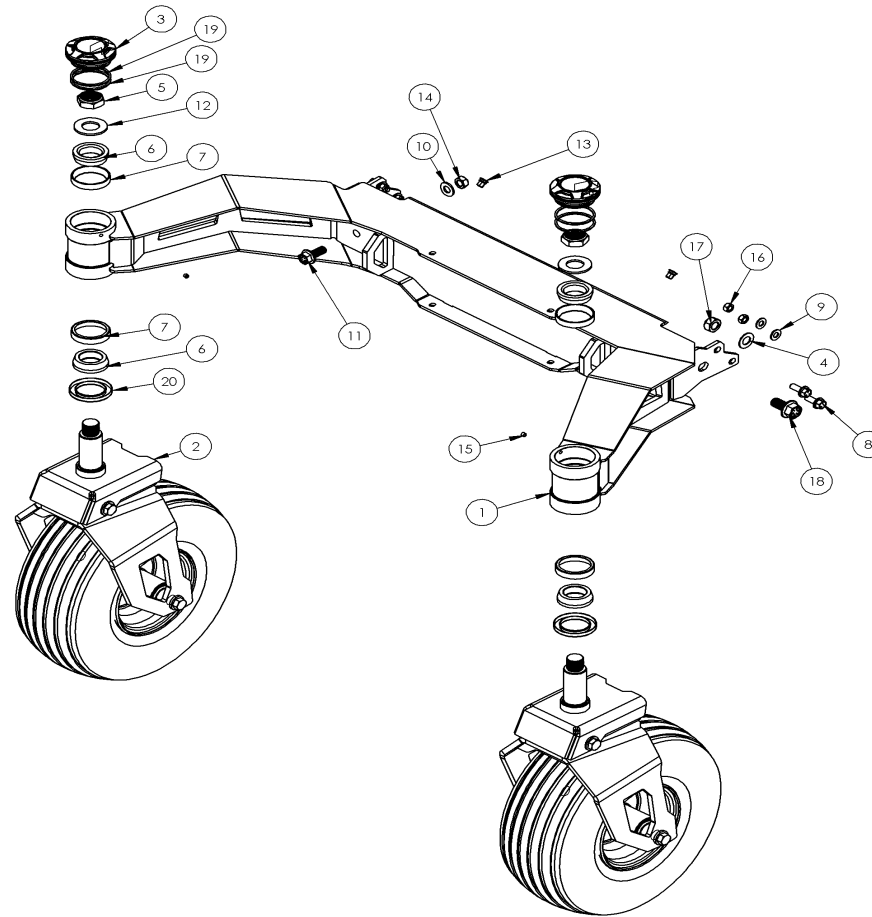


TITLE:	Seat,TRX
PART NO.:	9990592

Ref#	Part#	Description	Qty
1	1200104	WELD,SEAT PAN LATCH,XC/XPHD/TRX	1
2	1200644	WELD,SEAT PAN,TRX610/660/766	1
3	2900592	SEAT,SUSPENSION,XCZ/XEHD/XPHD/TRX	1
4	3100976	HINGE BRKT,SEAT PN LTCH,12GA,XC/XPHD/TRX	2
5	5000073	SPRING	1
6	5000126	BOLT	2
7	5000156	NUT	6
8	5000157	NUT	6
9	5000174	WASHER	2
10	5000444	BOLT	2
11	5000454	LANYARD,3/32"DIA,24"LENGTH,COILED	1
12	5000492	BOLT	4

9990593, Front Axle

UNCONTROLLED DOCUMENT IF PRINTED

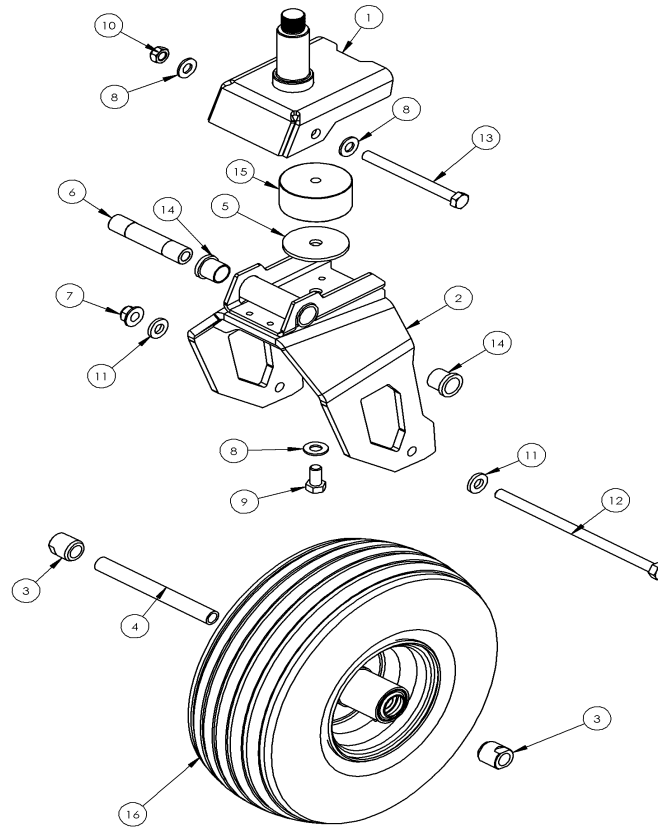


TITLE:	Axle,TRX
PART NO.:	9990593

Ref#	Part#	Description	Qty
1	1200645	WELD,FRONT AXLE,TRX610/660/766	1
2	2001105	ASM,FRONT AXLE FORK,TRQFLX,TRX610/66/766	2
3	3101236	CAP,FRONT SPINDLE,FORGED,3"ODX1.25"	2
4	5000055	WASHER	2
5	5000057	NUT	2
6	5000108	BEARING	4
7	5000109	CUP	4
8	5000130	BOLT	4
9	5000174	WASHER	4
10	5000176	WASHER	2
11	5000243	BOLT	2
12	5000309	WASHER	2
13	5000417	NUT	2
14	5000584	NUT	2
15	5000587	SCREW	2
16	5000634	NUT,3/8"-16,TOP LOCK,GR B,ZY/WAX	4
17	5000635	NUT,5/8"-11,TOP LOCK,GR C,ZY/WAX	2
18	5000636	BOLT,5/8"-11X1-1/4",FLANGED HH,GR8,ZY	2
19	5000665	O-RING,SIZE-226,BUNA-N,60 DURO	4
20	6000039	SEAL,DBL LIP,W/SPRING,2.56OD,1.75IDX.313	2

2001105, ASM,FRONT AXLE FORK,TRQFLX,TRX610/66/766

UNCONTROLLED DOCUMENT IF PRINTED

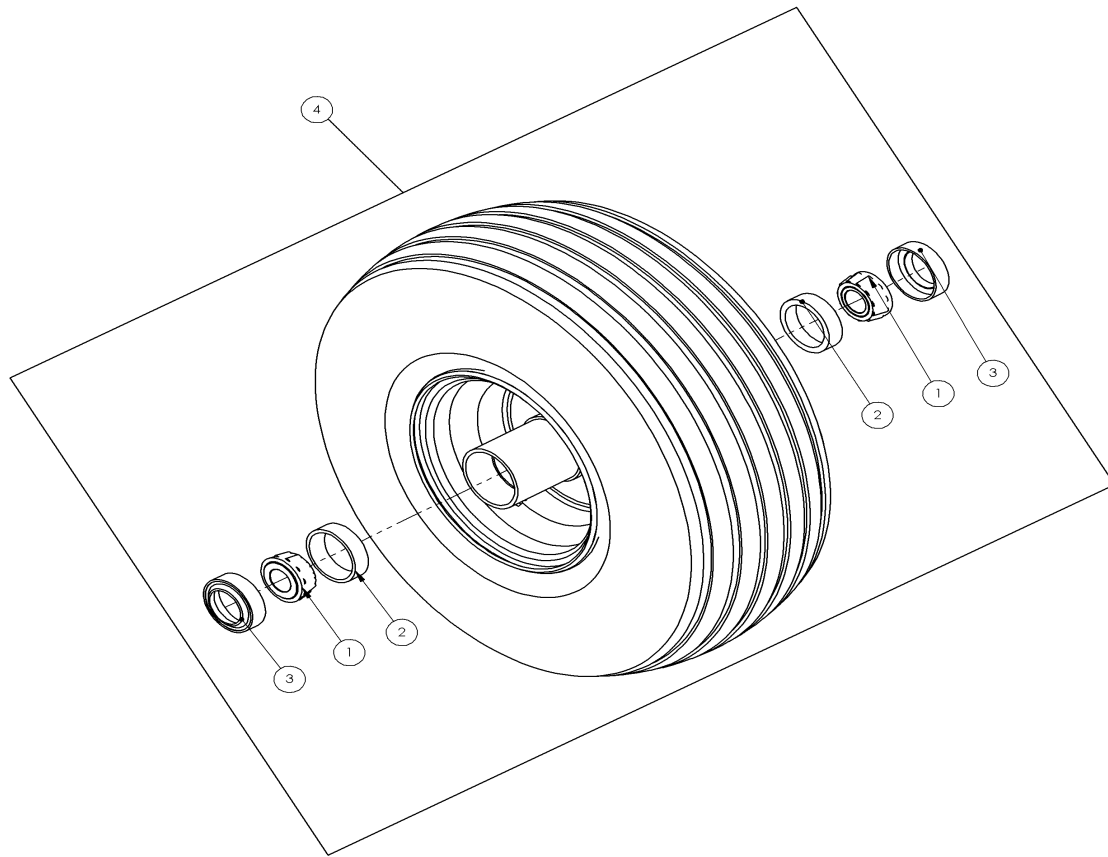


TITLE:	Asm, Front Axle Fork, TRX
PART NO.:	2001105

Ref#	Part#	Description	Qty
1	1200082	WELD,SPINDLE,FRT AXL FORK,XCZ/TRX	1
2	1200639	WELD,FORK,FRONT AXLE,TRX610/660/766	1
3	3100538	SPACER	2
4	3100539	SLEEVE	1
5	3102829	SHIM,FRONT AXLE,7GA,XC/TRX	1
6	3104275	SHAFT,PIVOT AXLE,.871"ODX.50"ID,ZY	1
7	5000162	NUT	1
8	5000176	WASHER	3
9	5000411	SCREW	1
10	5000584	NUT	1
11	5000614	WASHER,1/2",.531IDX1.062ODX.156,HARD,ZY	2
12	5000615	SCREW,1/2"-13X9-1/2",HHCS,GR5,ZY	1
13	5000631	SCREW,1/2"-13X5-1/2",HHCS,GR8,ZY	1
14	5000632	BUSHING,FLANGE,.875"IDX1"ODX1",BRZ	2
15	5500003	SHOCK ABSORBER	1
16	6100054	WHEEL,FRONT,15/6X6,RIBBED,TPRD BRG,BC	1

6100054, WHEEL,FRONT,15/6X6,RIBBED,TPRD BRG,BC

UNCONTROLLED DOCUMENT IF PRINTED

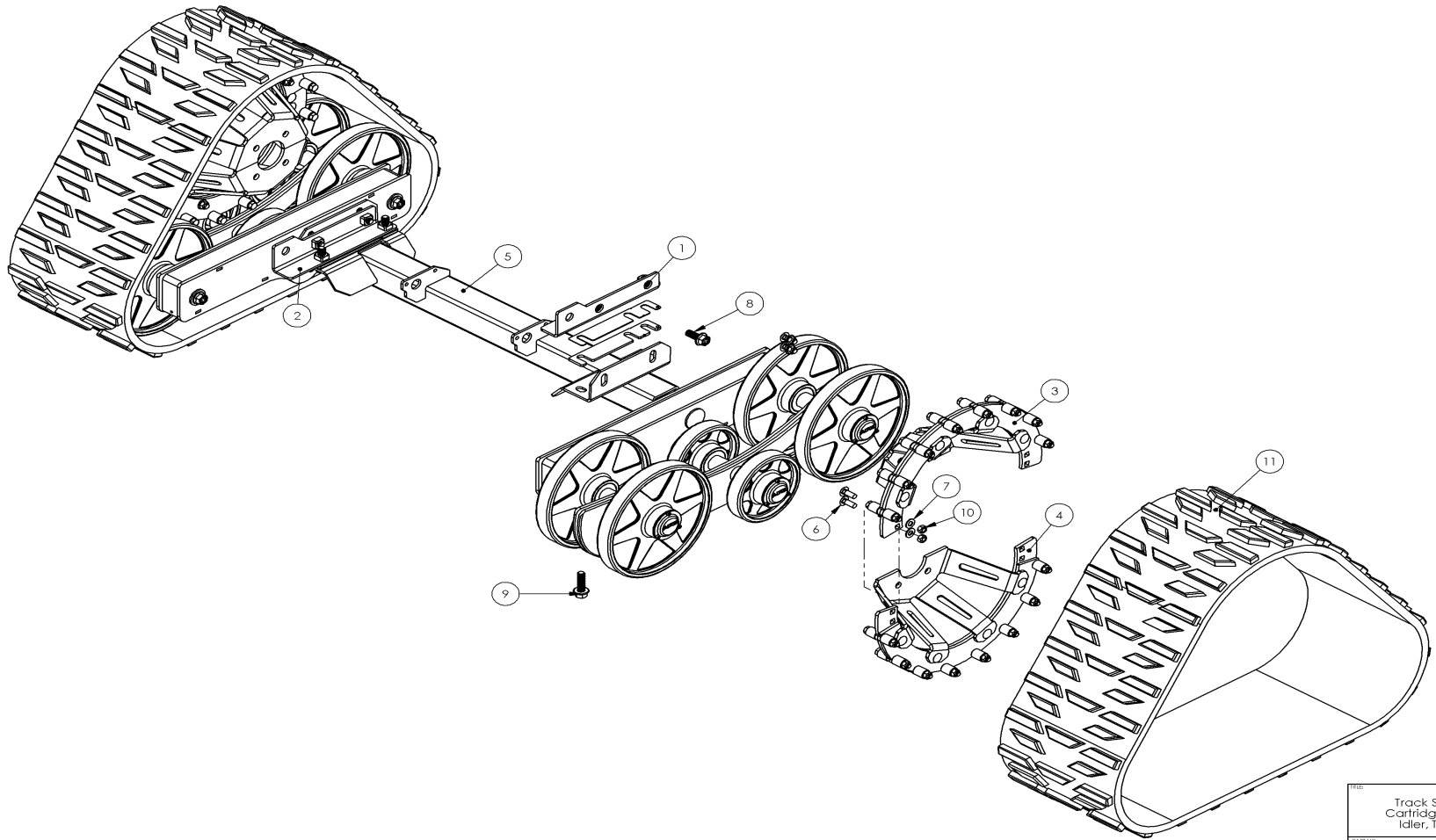


TITLE:	WHEEL,FRT,15/6X6, RIBBED,TPR BEARINGS
PART NO.:	6100054

Ref#	Part#	Description	Qty
1	5000340	BEARING CONE,FRONT WHEEL,LM11949	2
2	5000341	BEARING CUP,FRONT WHEEL,LM11910	2
3	6000023	RUBBER SEAL,FRONT WHEEL,1.125" SHAFT	2
4	6100054	WHEEL,FRONT,15/6X6,RIBBED,TPRD BRG,BC	1

9990624, TRACK,SYST,CARTRIDGE,OFFSET IDLER,TRX766

UNCONTROLLED DOCUMENT IF PRINTED

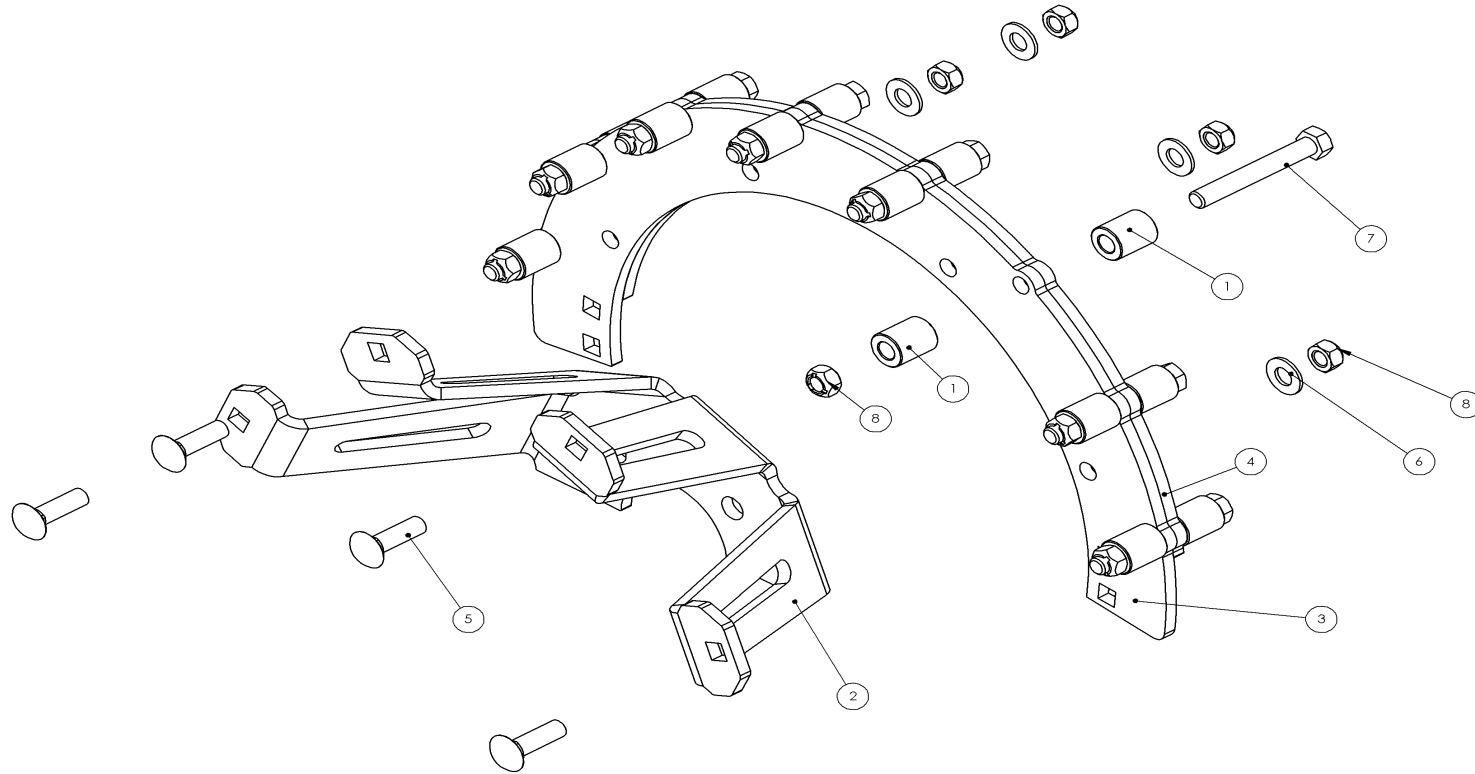


TITLE	Track System, Cartridge, Offset Idler, TRX766
PART NO.	9990624

Ref#	Part#	Description	Qty
1	1200827	WELD,TRACK MNT NUT BAR,LH,TRX766	1
2	1200828	WELD,TRACK MNT NUT BAR,RH,TRX766	1
3	2001127	ASM,DRIVE WHEEL,OUTER,16P,TRX766	2
4	2001128	ASM,DRIVE WHEEL,INNER,16P,TRX766	2
5	2001160	ASM,TORSION AXLE/IDLERS,CARTRIDGE,TRX766	1
6	5000146	BOLT	8
7	5000174	WASHER	8
8	5000243	BOLT	4
9	5000588	BOLT	4
10	5000634	NUT,3/8"-16,TOP LOCK,GR B,ZY/WAX	8
11	5500047	TRACK,ALTOZ,11" WIDEx26 PITCH,AT TREAD	2

2001127, ASM,DRIVE WHEEL,OUTER,16P,TRX766

UNCONTROLLED DOCUMENT IF PRINTED

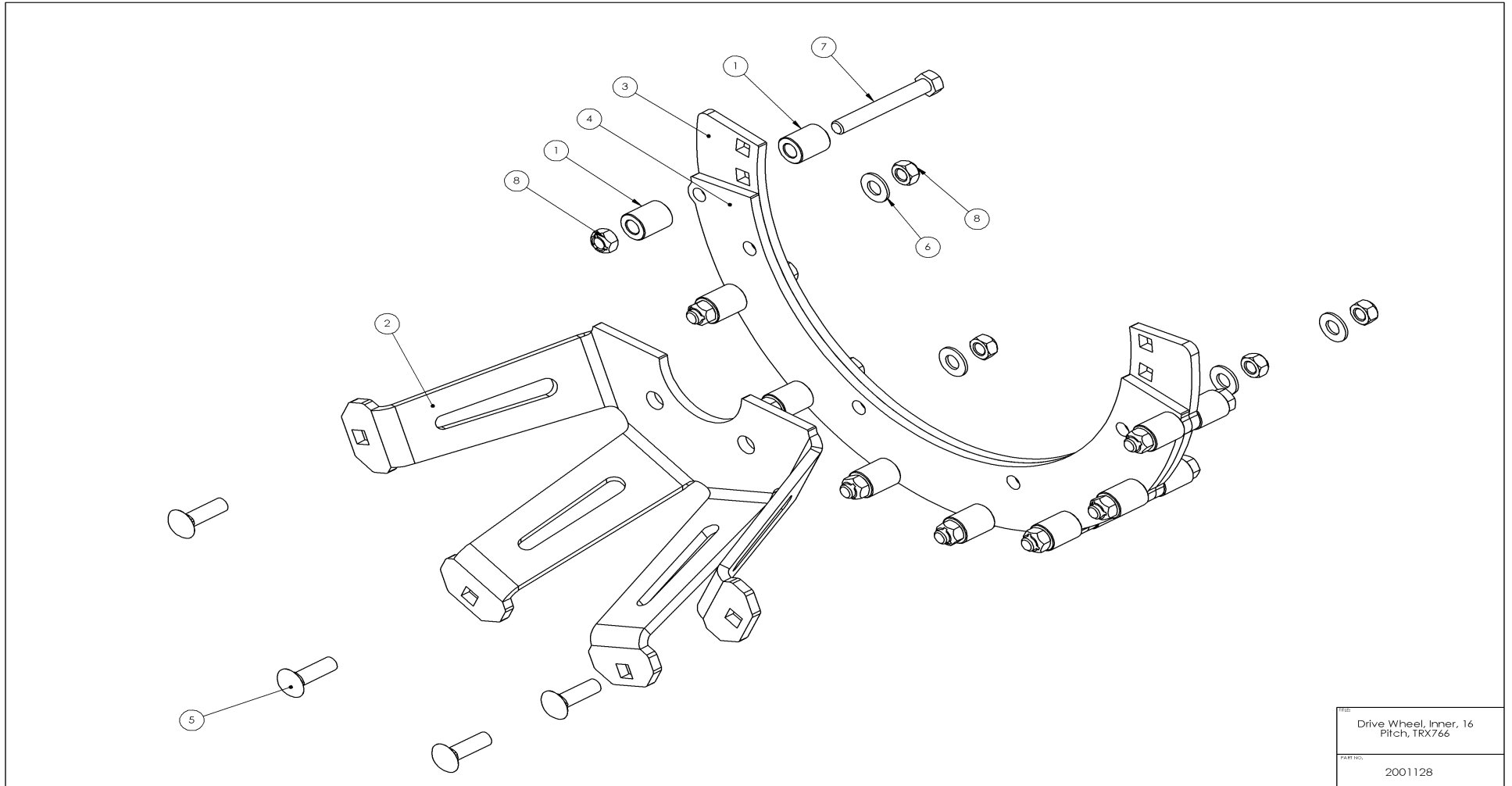


ITEM:	Drive Wheel, Outer, 16 Pitch, TRX766
PART NO.:	2001127

Ref#	Part#	Description	Qty
1	3105028	BUSHING,DRIVE WHEEL,.75"ODX.89",ZY,TRX	16
2	3105142	CENTER HUB,DRIVE WHEEL,16P,.25",TRX766	1
3	3105143	LARGE RING,DRIVE WHEEL,16P,.25",TRX766	1
4	3105144	SMALL RING,DRIVE WHEEL,16P,.25",TRX766	1
5	5000147	BOLT	4
6	5000174	WASHER	4
7	5000564	SCREW	8
8	5000634	NUT,3/8"-16,TOP LOCK,GR B,ZY/WAX	12

2001128, ASM,DRIVE WHEEL,INNER,16P,TRX766

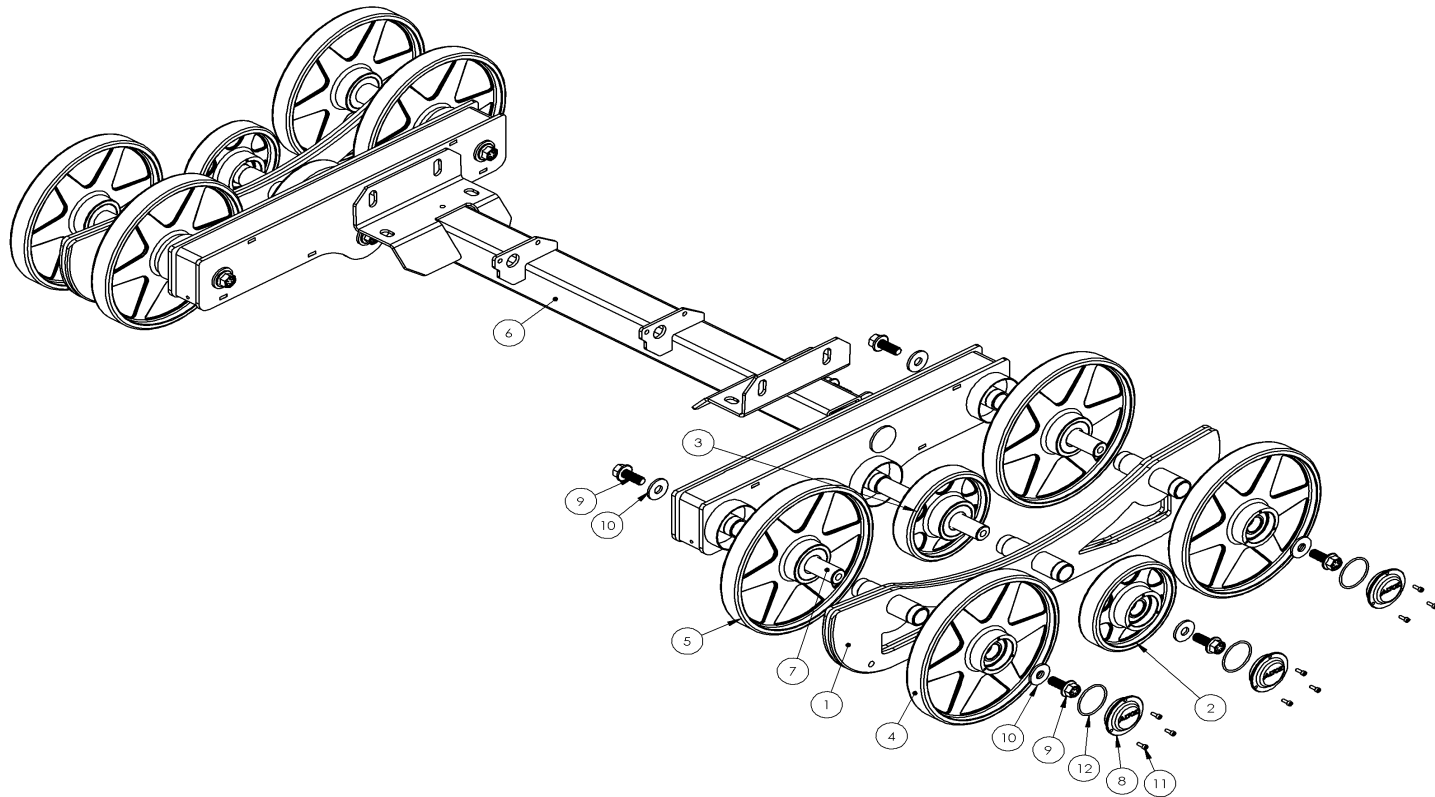
UNCONTROLLED DOCUMENT IF PRINTED

Drive Wheel, Inner, 16
Pitch, TRX766PART NO.
2001128

Ref#	Part#	Description	Qty
1	3105028	BUSHING,DRIVE WHEEL,.75"ODX.89",ZY,TRX	16
2	3105142	CENTER HUB,DRIVE WHEEL,16P,.25",TRX766	1
3	3105143	LARGE RING,DRIVE WHEEL,16P,.25",TRX766	1
4	3105144	SMALL RING,DRIVE WHEEL,16P,.25",TRX766	1
5	5000147	BOLT	4
6	5000174	WASHER	4
7	5000564	SCREW	8
8	5000634	NUT,3/8"-16,TOP LOCK,GR B,ZY/WAX	12

2001160, ASM,TORSION AXLE/IDLERS,CARTRIDGE,TRX766

UNCONTROLLED DOCUMENT IF PRINTED

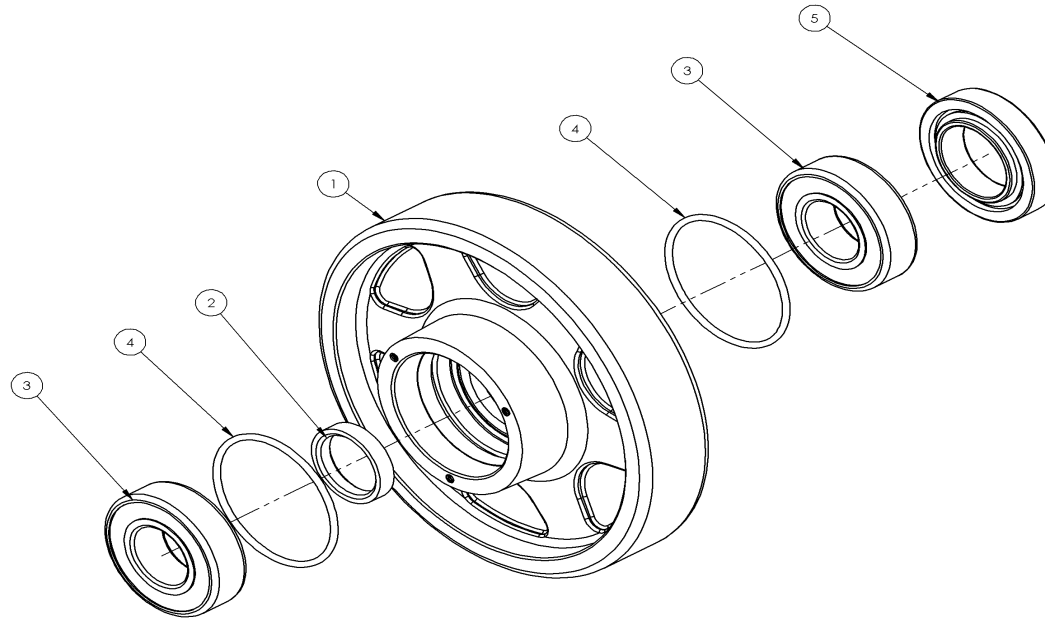


ITEM:	Assem, Torsion Axle/Idlers, Cartridge, TRX766
PART NO.:	2001160

Ref#	Part#	Description	Qty
1	1200847	WELD,IDLER WHEEL CARRIER,OFFSET,TRX766	2
2	2001173	ASM,CAST IDLER WHEEL,OUTER,6",TRX/TSX	2
3	2001174	ASM,CAST IDLER WHEEL,INNER,6",TRX561/766	2
4	2001213	ASM,CAST IDLER WHEEL,OUTER,10",TRX766	4
5	2001214	ASM,CAST IDLER WHEEL,INNER,10",TRX766	4
6	2001161	ASM,TORSION AXLE/TUBE,CARTRIDGE,TRX766	1
7	3104041	AXLE,TRACK WHEEL,TRX	6
8	3104121	HUB CAP,TRACK WHEEL,TRX/TSX	6
9	5000243	BOLT	12
10	5000261	WASHER	12
11	5000567	SCREW	18
12	5000577	O-RING,SIZE-134,BUNA-N	6

2001173, ASM,CAST IDLER WHEEL,OUTER,6",TRX/TSX

UNCONTROLLED DOCUMENT IF PRINTED

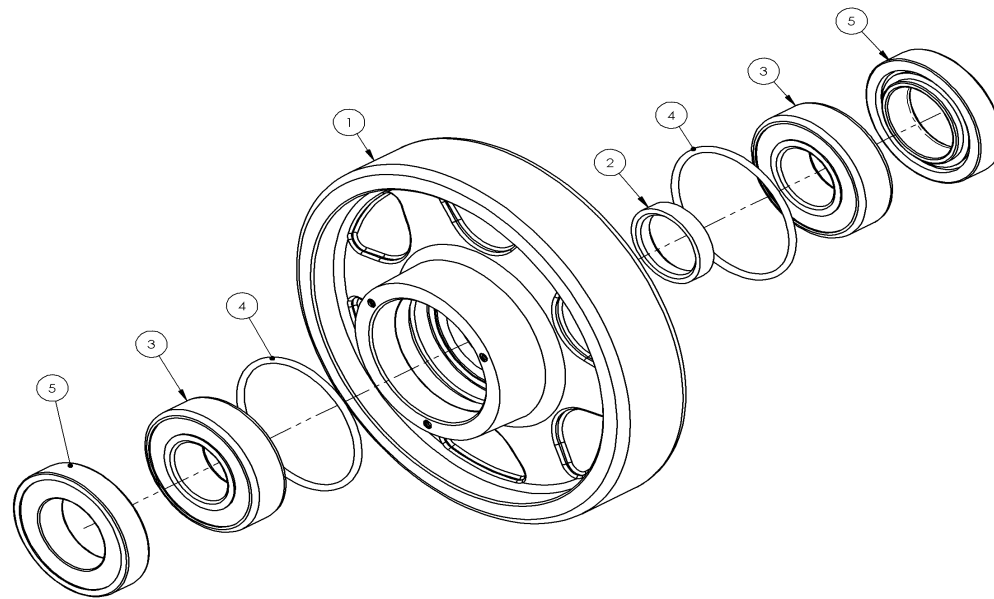


TITLE:	Assem, Cast Idler Wheel, Outer, 6 in
PART NO.:	2001173

Ref#	Part#	Description	Qty
1	1500021	WHEEL,CAST IRON,BLK,6"OD,TRX561/766	1
2	3104112	BEARING SPACER,TRACK WHEEL,TRX,PL	1
3	5000558	BEARING,BALL,6205-2RSCT,25MM ID,TRX	2
4	5000674	O-RING,SIZE-137,BUNA-N	0
5	6000052	SEAL,CASSETTE,IDLER WHEEL,TRX	1

2001174, ASM,CAST IDLER WHEEL,INNER,6",TRX561/766

UNCONTROLLED DOCUMENT IF PRINTED

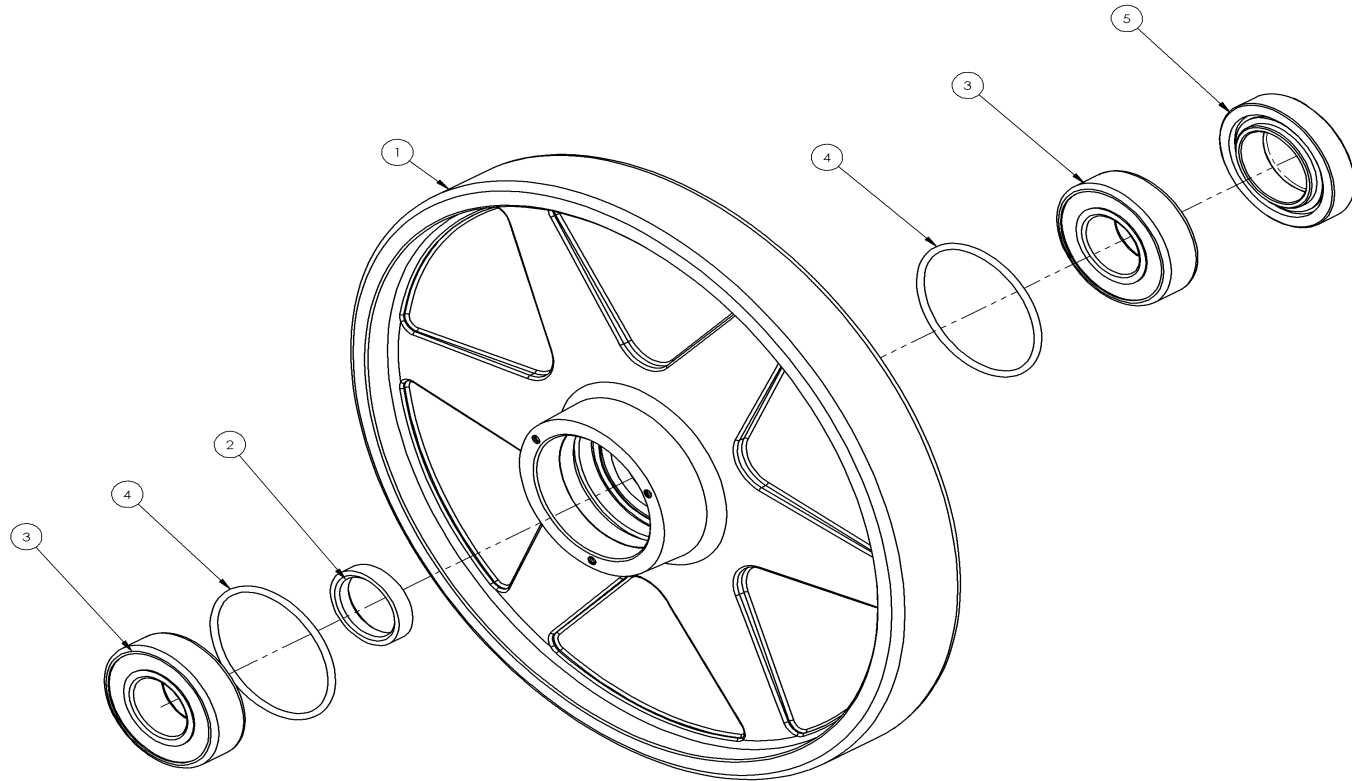


TITLE:	Assem, Cast Idler Wheel, Inner, 6 in
PART NO.:	2001174

Ref#	Part#	Description	Qty
1	1500021	WHEEL,CAST IRON,BLK,6"OD,TRX561/766	1
2	3104112	BEARING SPACER,TRACK WHEEL,TRX,PL	1
3	5000558	BEARING,BALL,6205-2RSCT,25MM ID,TRX	2
4	5000674	O-RING,SIZE-137,BUNA-N	0
5	6000052	SEAL,CASSETTE,IDLER WHEEL,TRX	2

2001213, ASM,CAST IDLER WHEEL,OUTER,10",TRX766

UNCONTROLLED DOCUMENT IF PRINTED

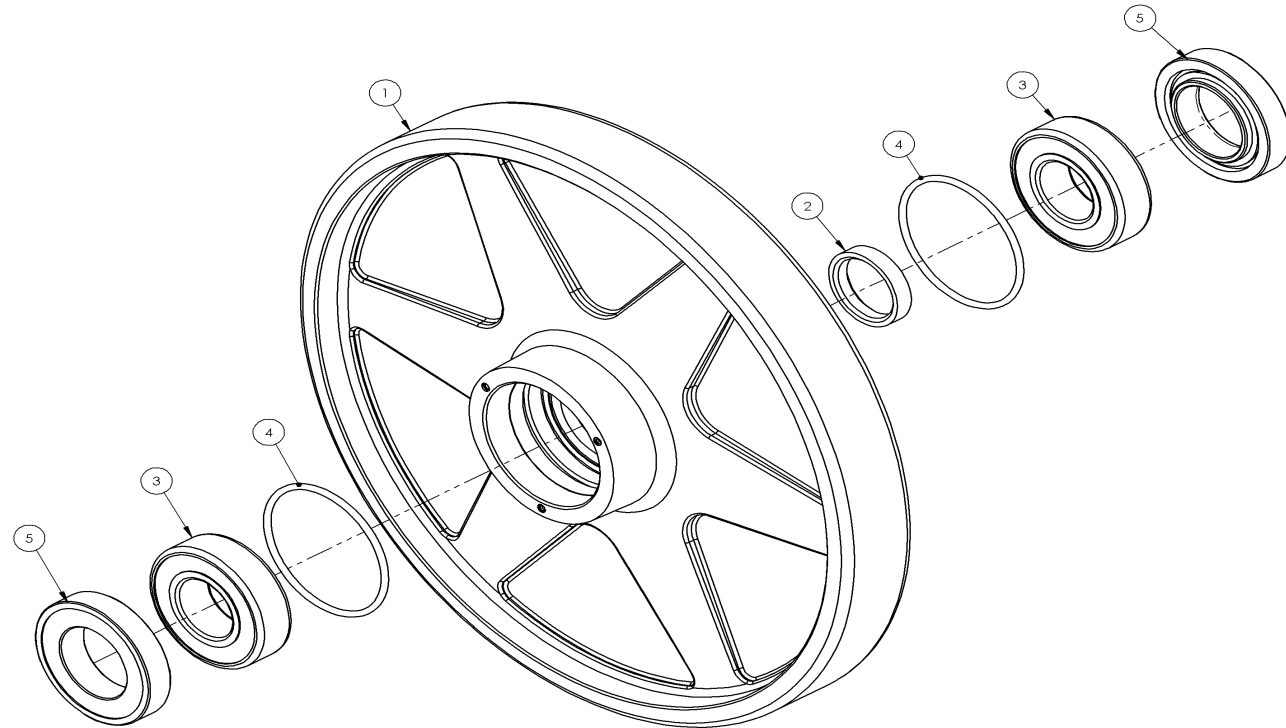


TITLE:	Assem, Cast Idler Wheel, Outer, 10 in
PART NO.:	2001213

Ref#	Part#	Description	Qty
1	1500022	WHEEL,CAST IRON,BLK,10"OD,TRX766	1
2	3104112	BEARING SPACER,TRACK WHEEL,TRX,PL	1
3	5000558	BEARING,BALL,6205-2RSCT,25MM ID,TRX	2
4	5000674	O-RING,SIZE-137,BUNA-N	0
5	6000052	SEAL,CASSETTE,IDLER WHEEL,TRX	1

2001214, ASM,CAST IDLER WHEEL,INNER,10",TRX766

UNCONTROLLED DOCUMENT IF PRINTED

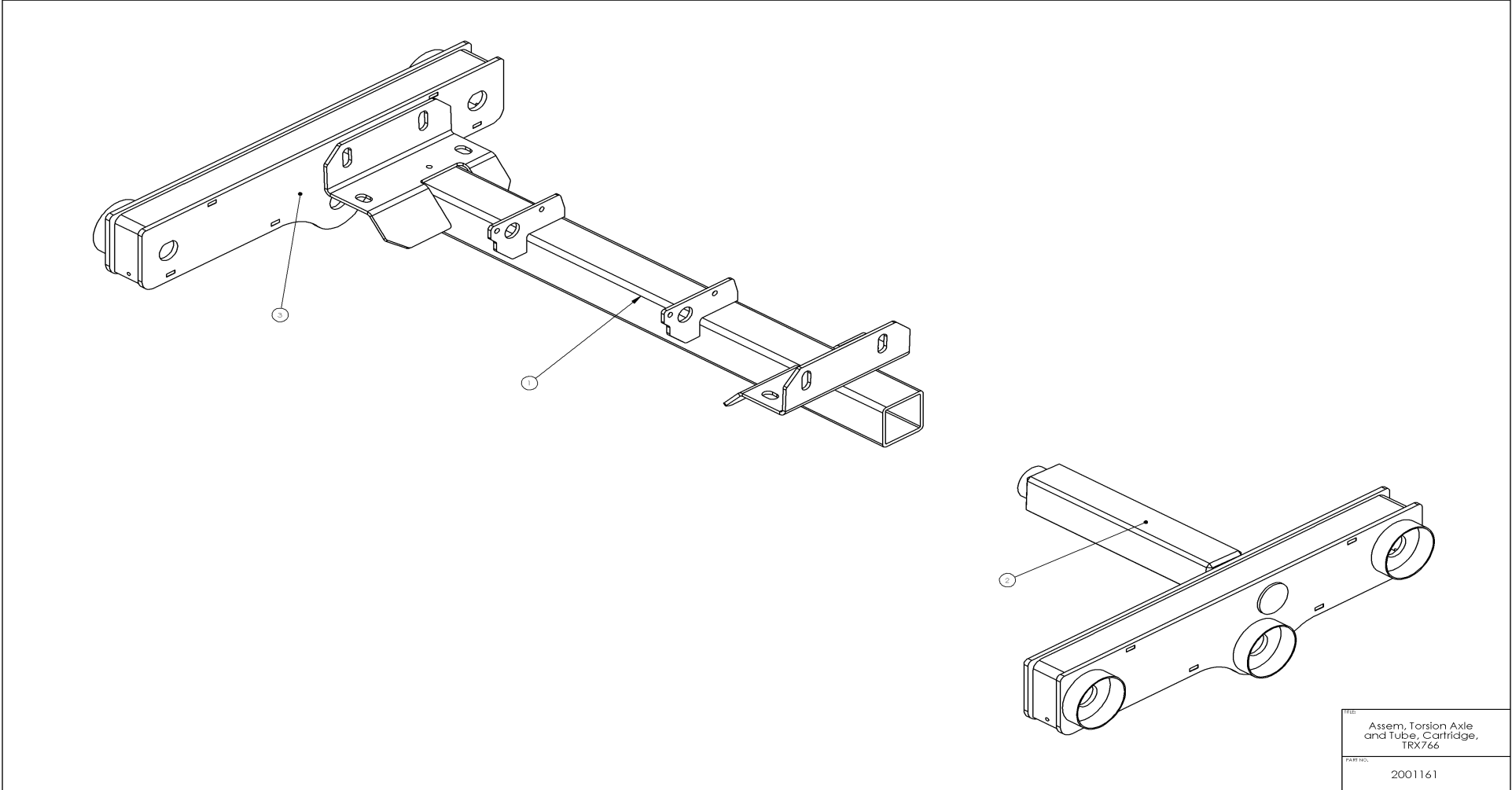


TITLE:	Assem, Cast Idler Wheel, Inner, 10 in
PART NO.:	2001214

Ref#	Part#	Description	Qty
1	1500022	WHEEL,CAST IRON,BLK,10"OD,TRX766	1
2	3104112	BEARING SPACER,TRACK WHEEL,TRX,PL	1
3	5000558	BEARING,BALL,6205-2RSCT,25MM ID,TRX	2
4	5000674	O-RING,SIZE-137,BUNA-N	0
5	6000052	SEAL,CASSETTE,IDLER WHEEL,TRX	2

2001161, ASM,TORSION AXLE/TUBE,CARTRIDGE,TRX766

UNCONTROLLED DOCUMENT IF PRINTED



TITLE:	Assem, Torsion Axle and Tube, Cartridge, TRX766
PART NO.:	2001161

Ref#	Part#	Description	Qty
1	1200832	WELD,CROSS TUBE,TRX766	1
2	1200845	WELD,WALKING BEAM,LH,CARTRIDGE,TRX766	1
3	1200846	WELD,WALKING BEAM,RH,CARTRIDGE,TRX766	1

9990630, Frame

UNCONTROLLED DOCUMENT IF PRINTED

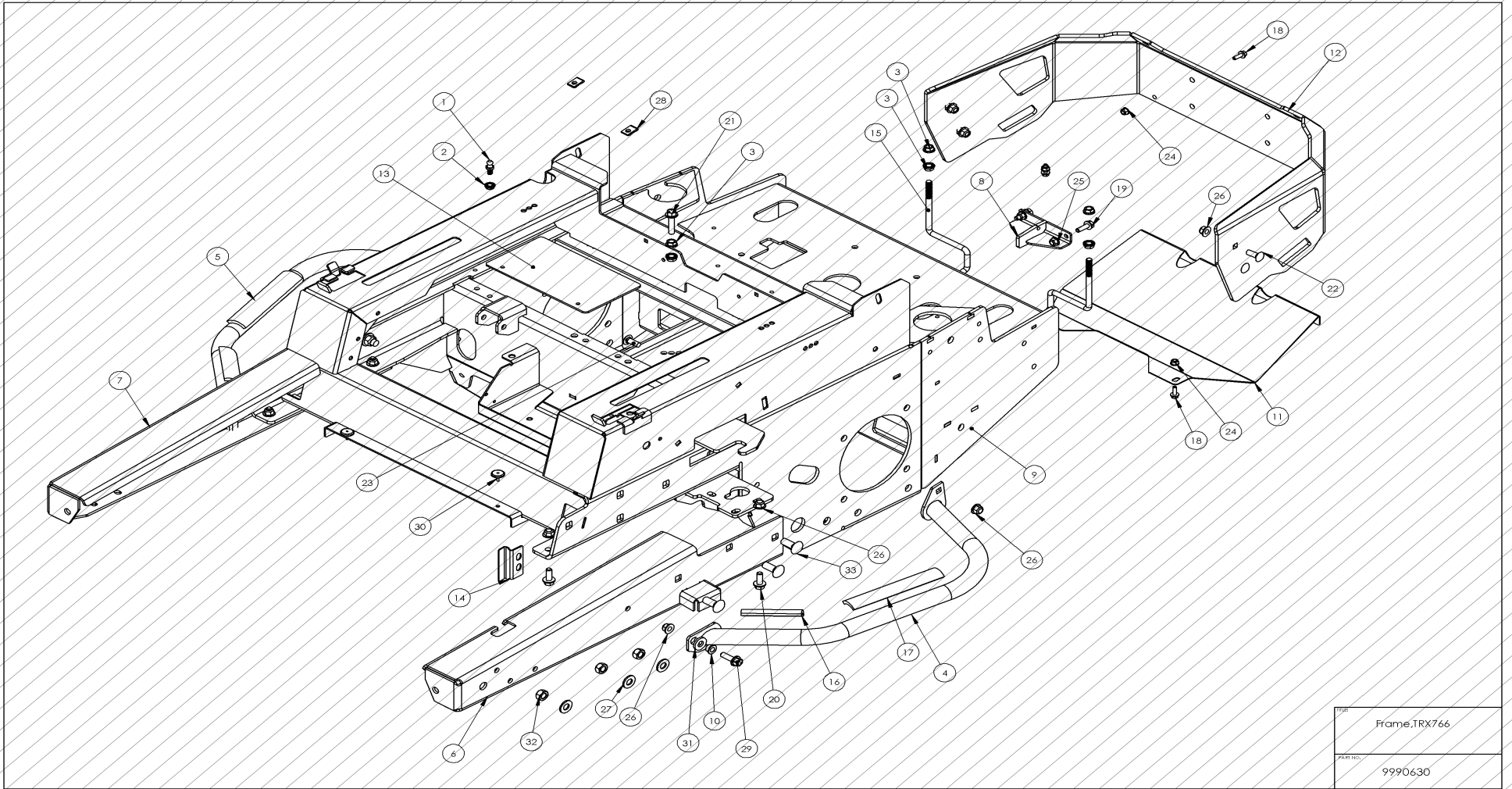


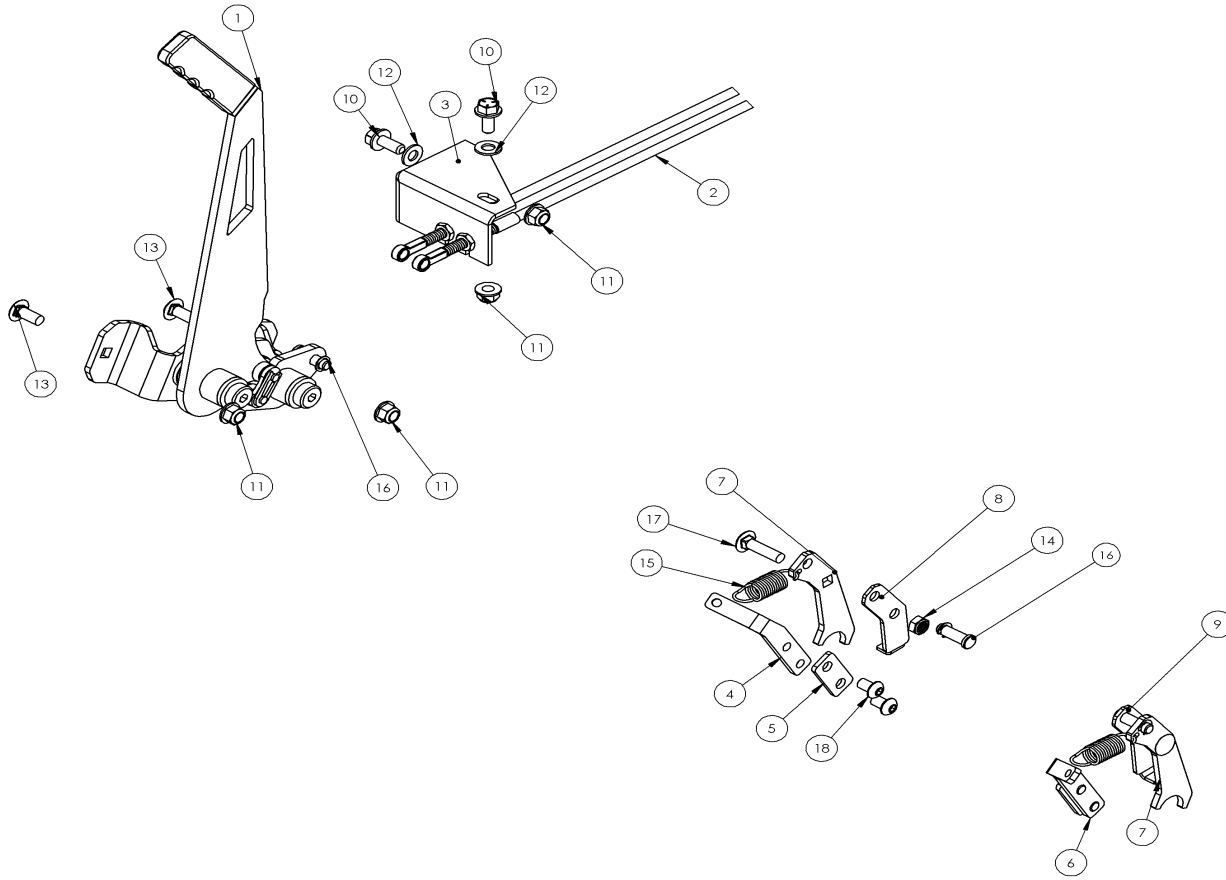
FIG.	Frame,TRX766
PART NO.	9990630

Ref#	Part#	Description	Qty
1	4264	BALL JOINT	2
2	5424	NUT	2
3	7787	NUT	6
4	1200575	WELD,TANK SUPPORT,LH,XPHD/TRX	1
5	1200576	WELD,TANK SUPPORT,RH,XPHD/TRX	1
6	1200710	WELD,RAIL,LH,TRX610/660/766,04/17	1
7	1200711	WELD,RAIL,RH,TRX610/660/766,04/17	1
8	1200717	WELD,ANTI-ROTAT CLUTCH BRKT,XPHD/TRX	1
9	1200833	WELD,CHASSIS,TRX766,2019	1
10	3102041	BUSHING,FLANGE,.375"IDX.563"ODX.375",ZY	2
11	3104024	SHIELD,HEAT,16GA,TRX610/660/766	1
12	3104026	BUMPER,.25",TRX610/660/766	1
13	3104088	PLATE,BATTERY GUARD,10GA,TRX610/660/766	1
14	3104230	TIE BAR LIMITER,14GA,XPHD/TRX	2
15	3104232	BELT GUIDE,CLUTCH,.375",ZY,TRX	1
16	4050023	FOAM	2
17	4050024	FOAM	2
18	5000126	BOLT	4
19	5000128	BOLT	2
20	5000130	BOLT	4
21	5000131	BOLT	1
22	5000146	BOLT	4
23	5000154	BOLT	2
24	5000156	NUT	4
25	5000157	NUT	2
26	5000159	NUT	12

27	5000176	WASHER	6
28	5000180	NUT	2
29	5000185	BOLT	2
30	5000253	BUMPER	2
31	5000575	WASHER	2
32	5000584	NUT	6
33	5000585	BOLT	6

9990631, Parking Brake

UNCONTROLLED DOCUMENT IF PRINTED

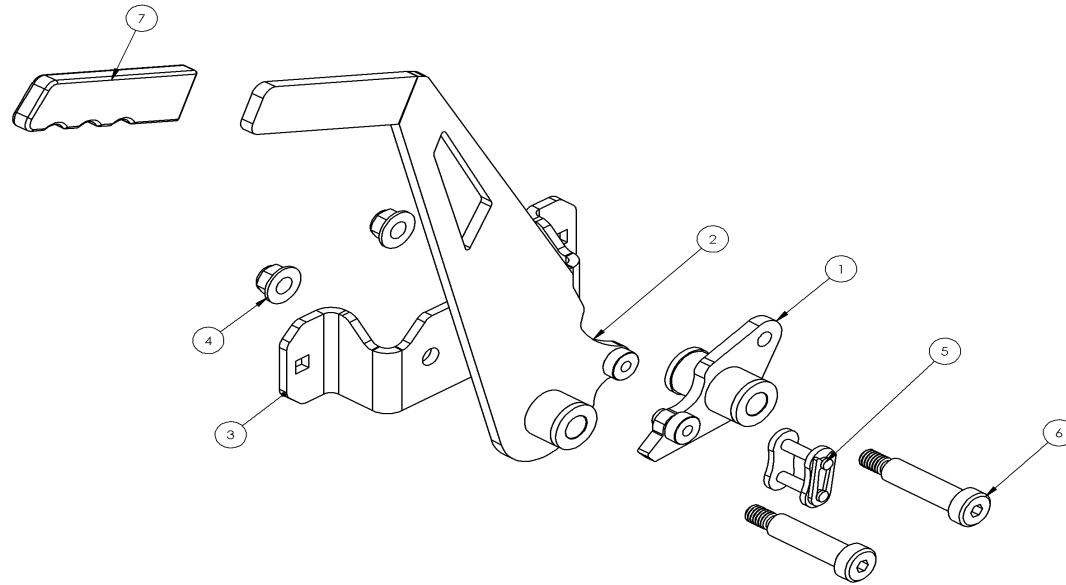


TITLE:	Brake,TRX766
PART NO.:	9990631

Ref#	Part#	Description	Qty
1	2000926	ASM,BRAKE HANDLE,TRX610/660	1
2	2900491	CABLE,BRAKE,XPHD/TRX561/766	2
3	3103728	BRAKE,UPPER CABLE MNT,10GA,XPHD/TRX	1
4	3104060	BRAKE,RH SPRING RETURN BRKT,7GA,TRX	1
5	3104061	BRAKE,RETURN BRKT RETAINER,10GA,TRX	2
6	3104062	BRAKE,LH SPRING RETURN BRKT,7GA,TRX	1
7	3104093	BRAKE,TRANS ARM EXT,7GA,TRX610/660/766	2
8	3105191	BRAKE ARM EXT,INTERNAL,RH,12GA,TRX766	1
9	3105192	BRAKE ARM EXT,INTERNAL,LH,12GA,TRX766	1
10	5000127	BOLT	2
11	5000157	NUT	4
12	5000173	WASHER	2
13	5000196	BOLT	2
14	5000274	NUT	2
15	5000489	SPRING,EXT,.069"W X.625"ODX2",ZC	2
16	5000553	PIN	3
17	5000559	BOLT	2
18	5000568	SCREW	4

2000926, ASM,BRAKE HANDLE,TRX610/660

UNCONTROLLED DOCUMENT IF PRINTED

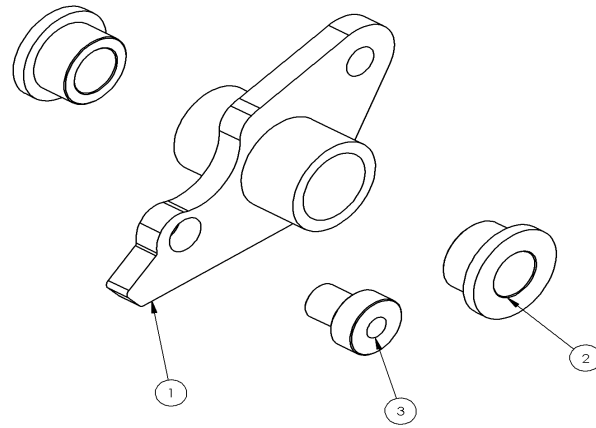


TITLE:	Asm,Brake Handle, TRX
PART NO.:	2000926

Ref#	Part#	Description	Qty
1	2000820	ASM,BRAKE CAM ARM,XPHD/TRX	1
2	2000927	ASM,BRAKE HANDLE WELD,TRX610/660	1
3	3103729	BRKT,BRAKE/TWO SPEED MNT,7GA,XPHD/TRX	1
4	5000159	NUT	2
5	5000398	CONNECTING LINK,60H,AQUA	1
6	5000549	BOLT	2
7	5500025	GRIP,BRK/2SPD HNDL,BLK,1"X4-11/16"(6/PK)	1

2000820, ASM,BRAKE CAM ARM,XPHD/TRX

UNCONTROLLED DOCUMENT IF PRINTED

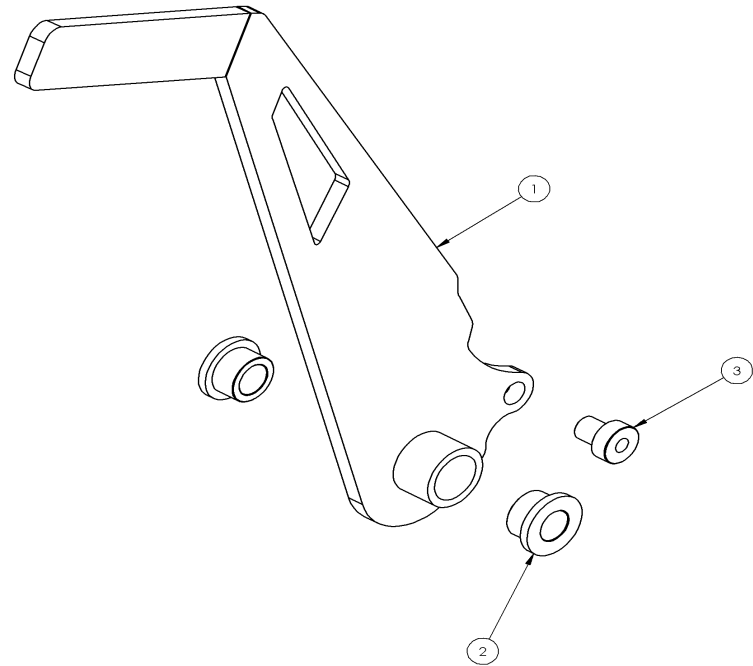


TITLE:	Asm, Brake Cam, XPHD
PART NO.:	2000820

Ref#	Part#	Description	Qty
1	1200580	WELD,BRAKE/TWO SPEED CAM,XPHD/TRX	1
2	5000090	BUSHING	2
3	5000399	SLEEVE,HARD RC 40,ZY	1

2000927, ASM,BRAKE HANDLE WELD,TRX610/660

UNCONTROLLED DOCUMENT IF PRINTED

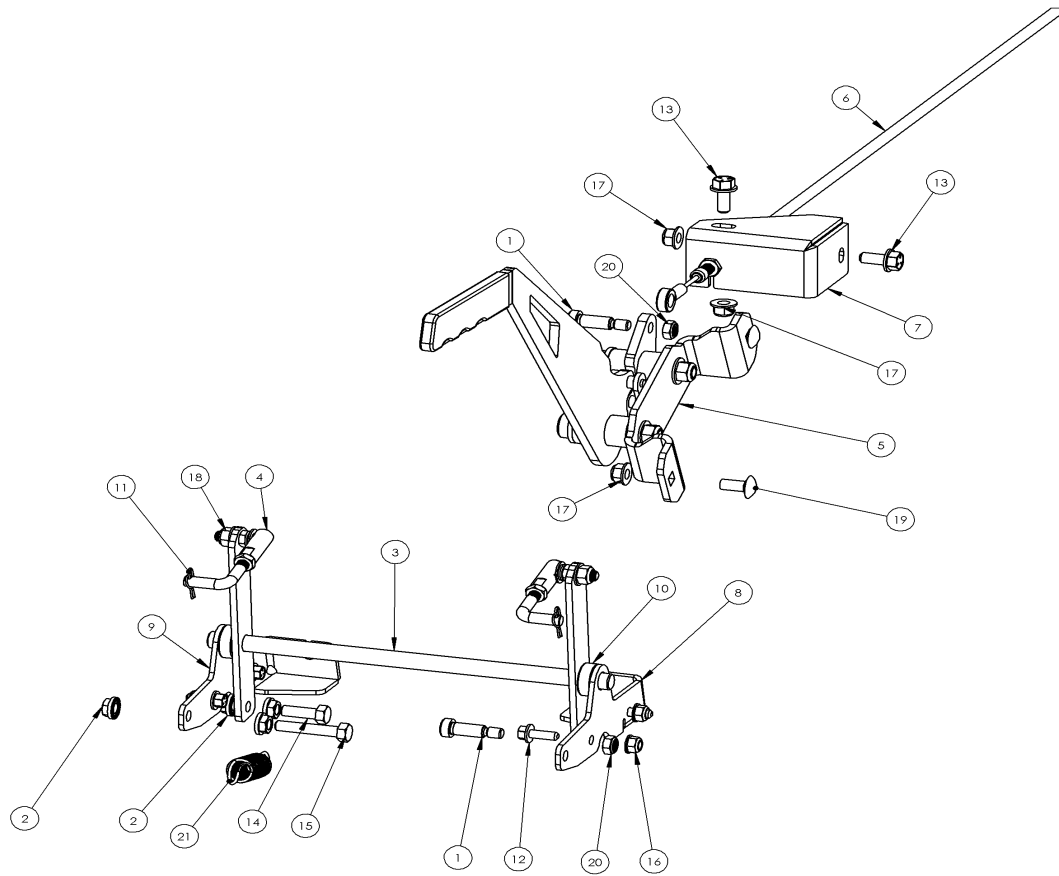


TITLE:	Asm,Brake Handle, TRX
PART NO.:	2000927

Ref#	Part#	Description	Qty
1	1200633	WELD,BRAKE HANDLE,TRX610/660/766	1
2	5000090	BUSHING	2
3	5000399	SLEEVE,HARD RC 40,ZY	1

9990632, Speed Control

UNCONTROLLED DOCUMENT IF PRINTED

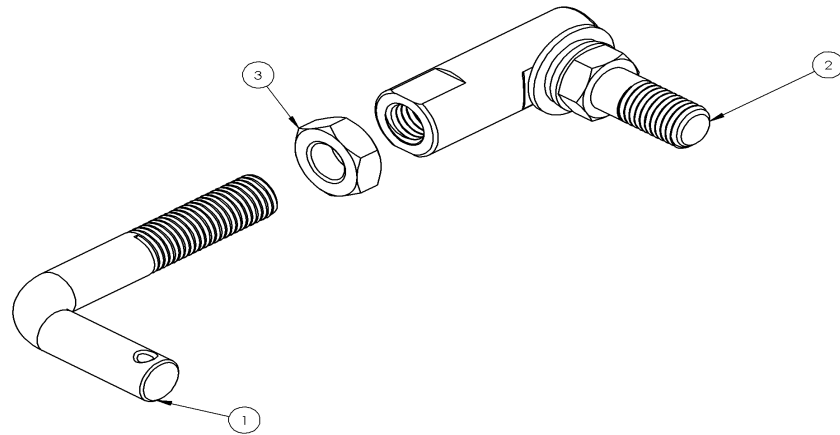


TITLE Speed Control, TRX766
PART NO. 9990632

Ref#	Part#	Description	Qty
1	5095	BOLT	2
2	5424	NUT	4
3	1200648	WELD,TWO SPEED LINKG ARM,TRX610/660/766	1
4	2000222	ASM,TWO SPEED LINKAGE,XCZ/TRX	2
5	2000883	ASM,TWO SPEED HANDLE,TRX610/660	1
6	2900604	CABLE,TWO SPEED,TRX766	1
7	3105181	BRKT,CABLE MNT,TWO SPEED,10GA,TRX766	1
8	3105182	BRKT,TWO SPEED MNT,LH,10GA,TRX766	1
9	3105183	BRKT,TWO SPEED MNT,RH,10GA,TRX766	1
10	4000042	SPACER	2
11	5000096	COTTER PIN	2
12	5000126	BOLT	4
13	5000127	BOLT	2
14	5000134	SCREW	1
15	5000135	SCREW	1
16	5000156	NUT	4
17	5000157	NUT	4
18	5000158	NUT	2
19	5000196	BOLT	2
20	5000274	NUT	2
21	5000316	SPRING	1

2000222, ASM, TWO SPEED LINKAGE, XCZ/TRX

UNCONTROLLED DOCUMENT IF PRINTED

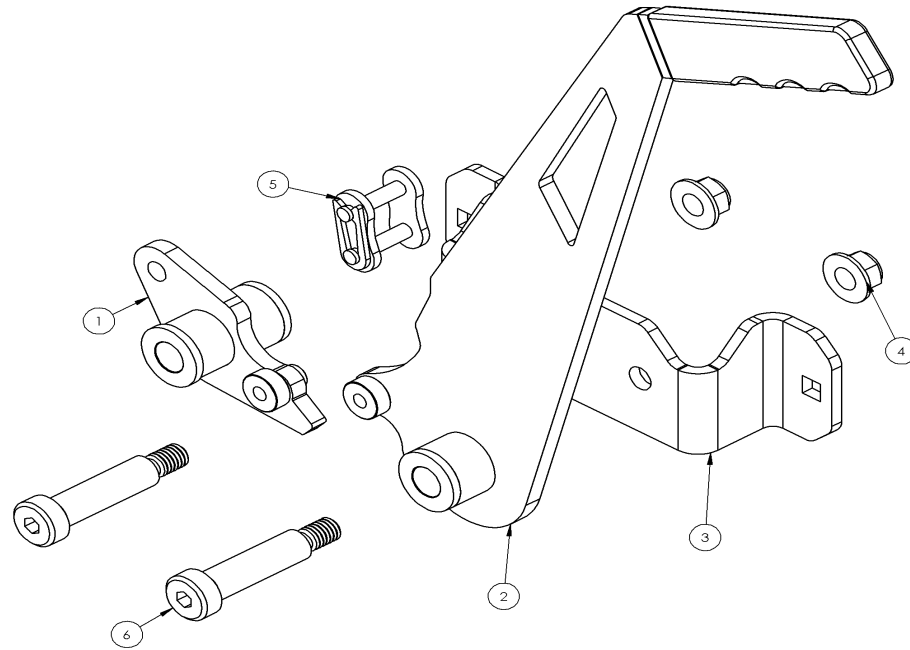


TITLE:	Asm,Two Speed, Linkage
PART NO.:	2000222

Ref#	Part#	Description	Qty
1	3100492	LINK	1
2	5000068	BALL JOINT	1
3	5000166	NUT	1

2000883, ASM,TWO SPEED HANDLE,TRX610/660

UNCONTROLLED DOCUMENT IF PRINTED

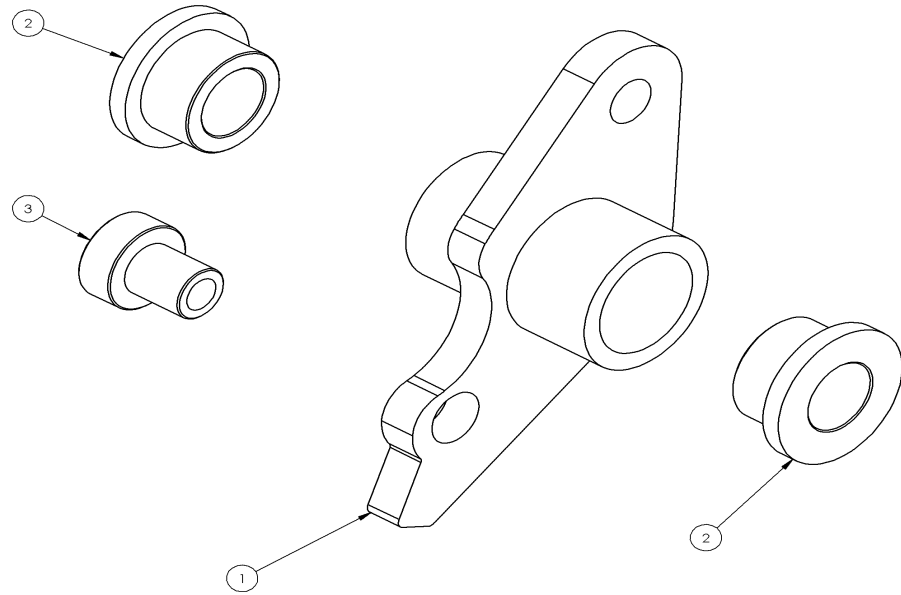


TITLE:	Asm,2Spd,TRX
PART NO.:	2000883

Ref#	Part#	Description	Qty
1	2000884	ASM,TWO SPEED CAM ARM,TRX610/660	1
2	2000885	ASM,TWO SPEED HANDLE WELD,TRX610/660	1
3	3103729	BRKT,BRAKE/TWO SPEED MNT,7GA,XPHD/TRX	1
4	5000159	NUT	2
5	5000398	CONNECTING LINK,60H,AQUA	1
6	5000549	BOLT	2

2000884, ASM, TWO SPEED CAM ARM, TRX610/660

UNCONTROLLED DOCUMENT IF PRINTED

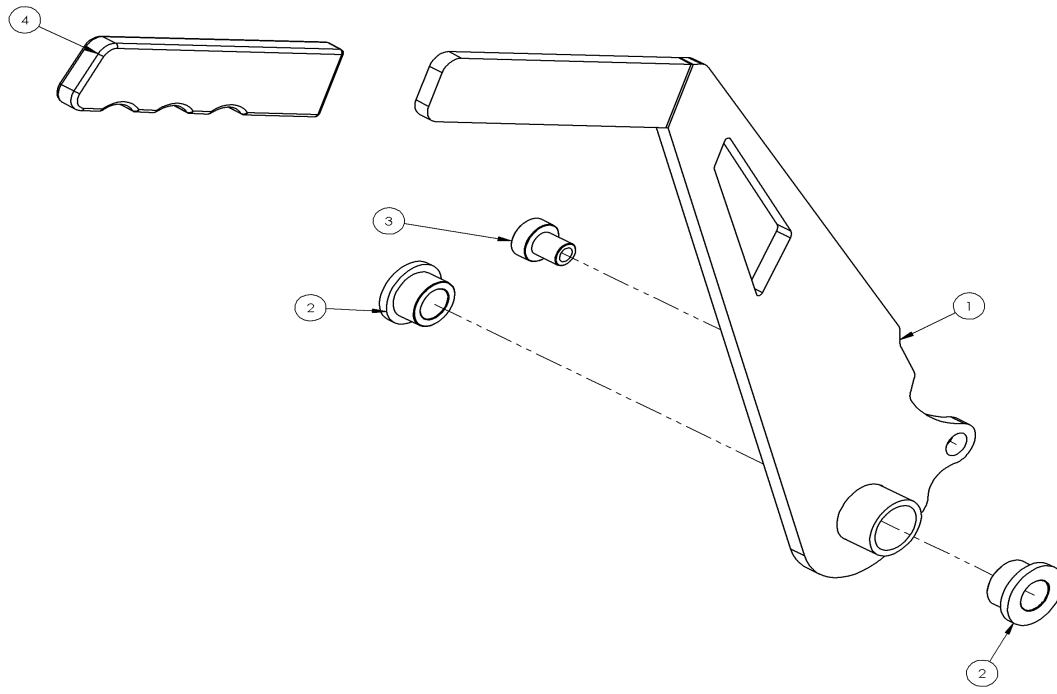


TITLE:	Asm. 2Spd Cam Arm, TRX
PART NO.:	2000884

Ref#	Part#	Description	Qty
1	1200580	WELD,BRAKE/TWO SPEED CAM,XPHD/TRX	1
2	5000090	BUSHING	2
3	5000399	SLEEVE,HARD RC 40,ZY	1

2000885, ASM, TWO SPEED HANDLE WELD, TRX610/660

UNCONTROLLED DOCUMENT IF PRINTED



TITLE:	Asm.2Spd Handle,TRX
PART NO.:	2000885

Ref#	Part#	Description	Qty
1	1200650	WELD,TWO SPEED HANDLE,TRX610/660/766	1
2	5000090	BUSHING	2
3	5000399	SLEEVE,HARD RC 40,ZY	1
4	5500025	GRIP,BRK/2SPD HNDL,BLK,1"X4-11/16"(6/PK)	1

9990641, Engine/Exhaust

UNCONTROLLED DOCUMENT IF PRINTED

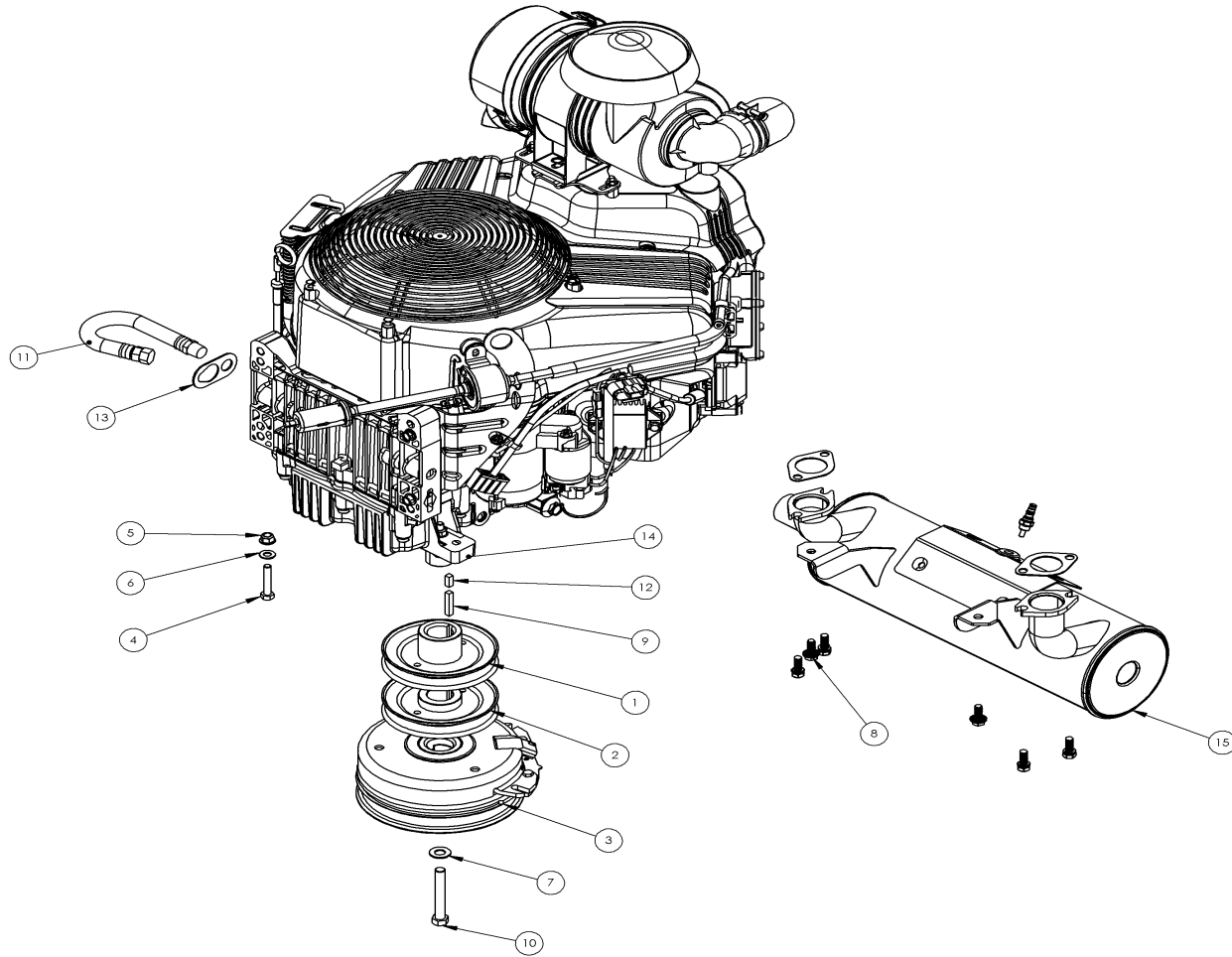
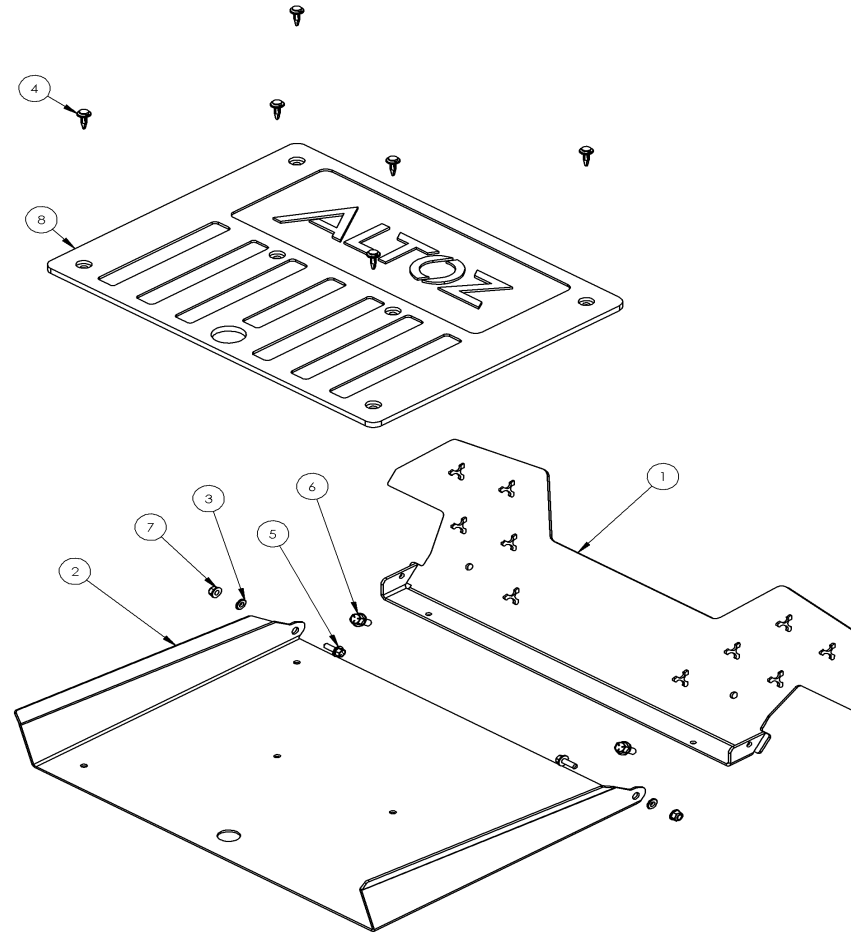


FIG.	Engine, Van 37HP EFI, TRX 766 AT
PART NO.	9990641

Ref#	Part#	Description	Qty
1	2900520	PULLEY,DRIVE,UPPER,TRX	1
2	2900521	PULLEY,DRIVE,LOWER,TRX	1
3	2900613	CLUTCH,DUAL STRAP,250FT LBS,CCW,1.125	1
4	5000135	SCREW	4
5	5000157	NUT	4
6	5000173	WASHER	4
7	5000175	WASHER	1
8	5000256	BOLT	2
9	5000365	KEY,SQUARE,.25"X1.375"L,ZC	1
10	5000457	SCREW	1
11	5000499	OIL DRAIN,VANGUARD ENGINE	1
12	5000565	KEY,SQUARE,.25"X.625"L,ZC	1
13	5500032	RETAINER,OIL DRAIN,RUBBER	1
14	6200026	ENGINE,VANGUARD,EFI,37HP	1
15	6500033	MUFFLER,VANGUARD,33/37 HP,TRX	1

9990693, FOOT REST,SYSTEM,TRX766,2020-21

UNCONTROLLED DOCUMENT IF PRINTED



TITLE:	Foot Pan, TRX766
PART NO.:	9990693

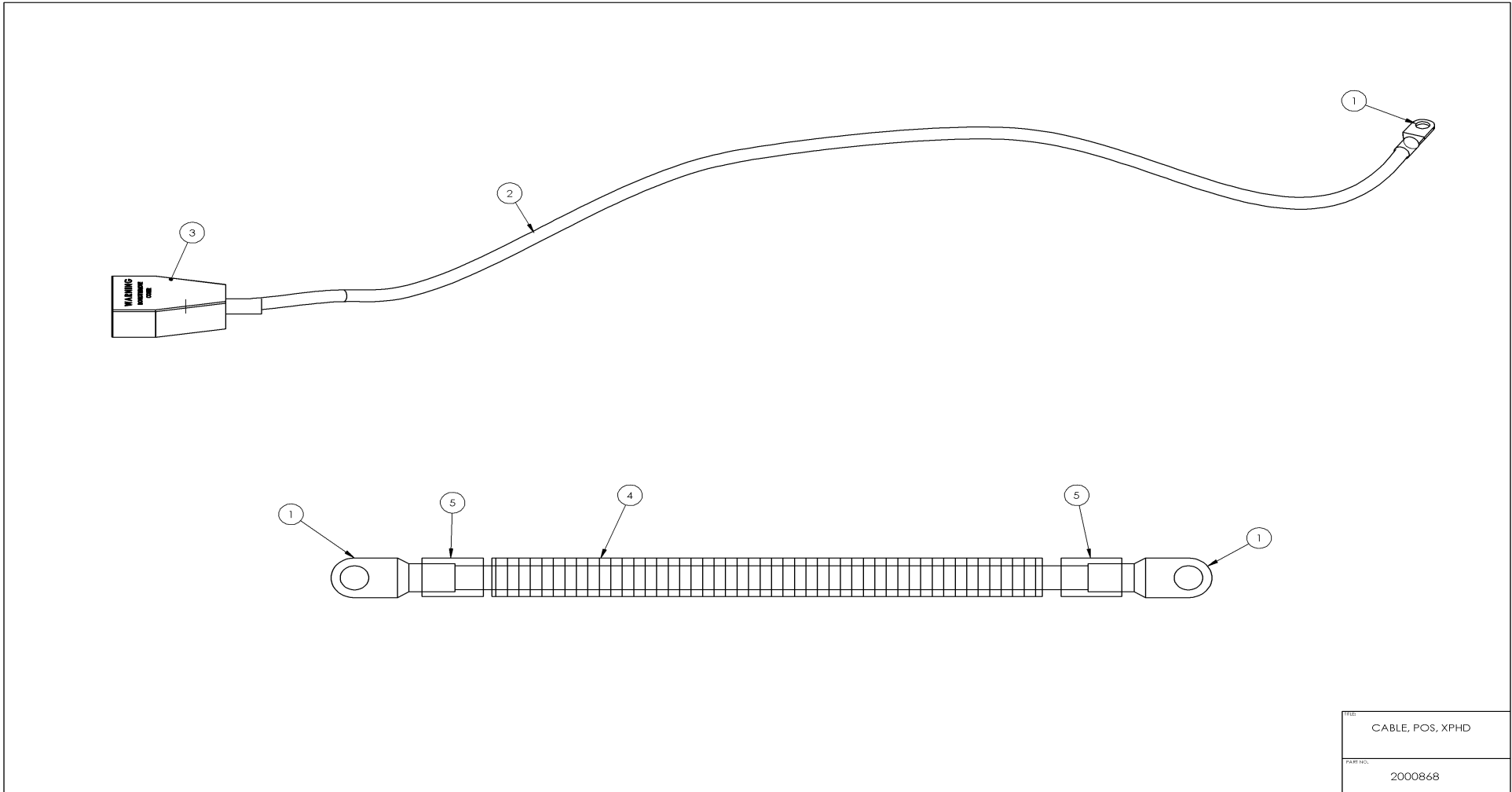
Ref#	Part#	Description	Qty
1	3104050	FOOT REST,10GA,TRX610/660/766	1
2	3105391	FLOOR PAN,12GA,TRX766,2020	1
3	4000076	SPACER,PLASTIC,FLOOR PAN	2
4	5000115	RIVET	6
5	5000126	BOLT	2
6	5000127	BOLT	2
7	5000156	NUT	2
8	5500049	RUBBER MAT,LARGE,ALTOZ,15.38"X20"	1

Ref#	Part#	Description	Qty
1	5082	SCREW	4
2	5083	WASHER	4
3	5647	WASHER	2
4	5648	NUT	2
5	9274	SCREW	4
6	2000868	BATTERY CABLE,POSITIVE,32",XPHD/TRX	1
7	2000869	BATTERY CABLE,NEGATIVE,36",XPHD/TRX/XEHD	1
8	2001005	ASM,CONSOLE,LH,XC/XPHD/TRX,06/17	1
9	2001175	ASM,CONSOLE,RH,ST,VG PRO,TRXI V37	1
10	2001194	HARNESS,MAIN,XPHD/TRX,10/19	1
11	2001206	ASM,ELECT CNTRL PAN,TRX766,2020	1
12	2001216	HARNESS,ADAPTER,GDI,BRIG VAN,TRX766	1
13	2001217	ASM,WIRE,TACH SENSOR,GDI,BRIGGS	1
14	3102356	INDICATOR,DECK HEIGHT,18GA	1
15	3103727	BRKT,BRAKE SWITCH,12GA,XPHD/TRX	1
16	3104030	BRKT,BATTERY HOLD DOWN,10GA,TRX610/66	1
17	5000019	SCREW	1
18	5000062	CABLE TIE	2
19	5000115	RIVET	3
20	5000126	BOLT	6
21	5000127	BOLT	1
22	5000157	NUT	1
23	5000180	NUT	2
24	5000207	SCREW	3
25	5000254	CABLE TIE	14
26	5000296	NUT	1

27	5000408	SCREW	2
28	5000435	GROMMET	1
29	8000069	HARNES,PIGTAIL,CLUTCH,W/SLEEVE	1
30	8200040	BATTERY	1
31	8200053	SWITCH	2
32	8200058	CONNECTOR	1
33	8200059	FUSE	2
34	8200196	SWITCH,PLUNGER,DPST,NO/NO,SNAP,XE	1
35	8200236	RELAY,MICRO,AUTO,SPDT,12V,25A,DEL280	1

2000868, BATTERY CABLE, POSITIVE, 32", XPHD/TRX

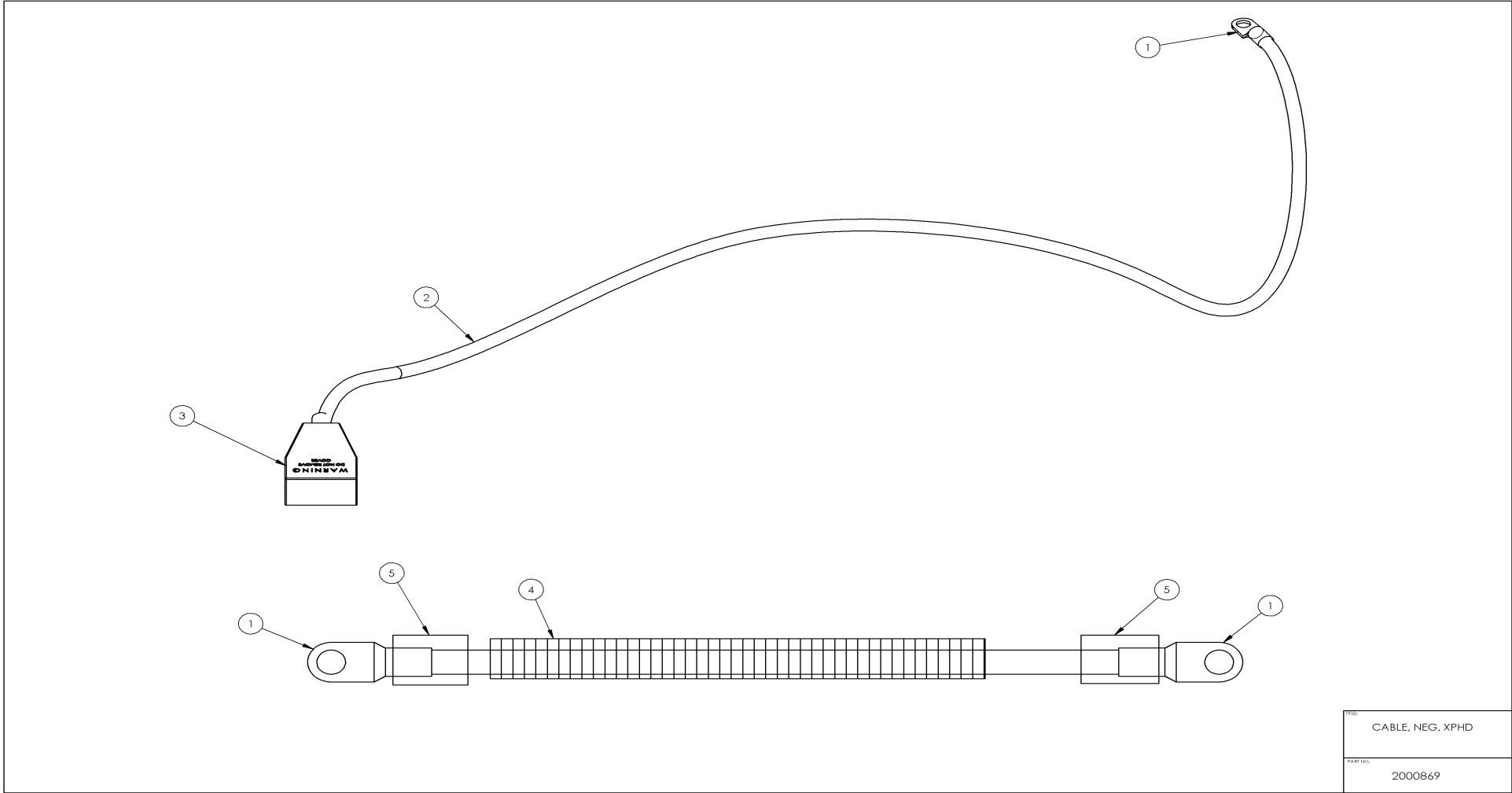
UNCONTROLLED DOCUMENT IF PRINTED



Ref#	Part#	Description	Qty
1	8200086	TERMINAL	2
2	8200096	HEATSHRINK	2
3	8200103	CONDUIT,NYLON,CORRUGATE,GRAY STRIPE,.35"	1
4	8200185	RED BATTERY BOOT,4-6AWG	1

2000869, BATTERY CABLE,NEGATIVE,36",XPHD/TRX/XEHD

UNCONTROLLED DOCUMENT IF PRINTED

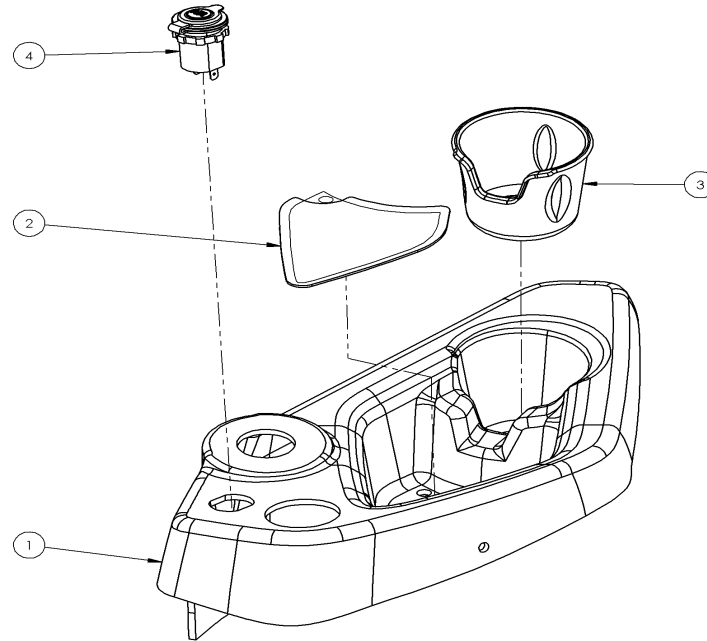


DESCRIPTION:	CABLE, NEG. XPHD
PART NO.:	2000869

Ref#	Part#	Description	Qty
1	8200086	TERMINAL	2
2	8200096	HEATSHRINK	2
3	8200103	CONDUIT,NYLON,CORRUGATE,GRAY STRIPE,.35"	1
4	8200184	BLACK BATTERY BOOT,4-6AWG	1

2001005, ASM,CONSOLE,LH,XC/XPHD/TRX,06/17

UNCONTROLLED DOCUMENT IF PRINTED

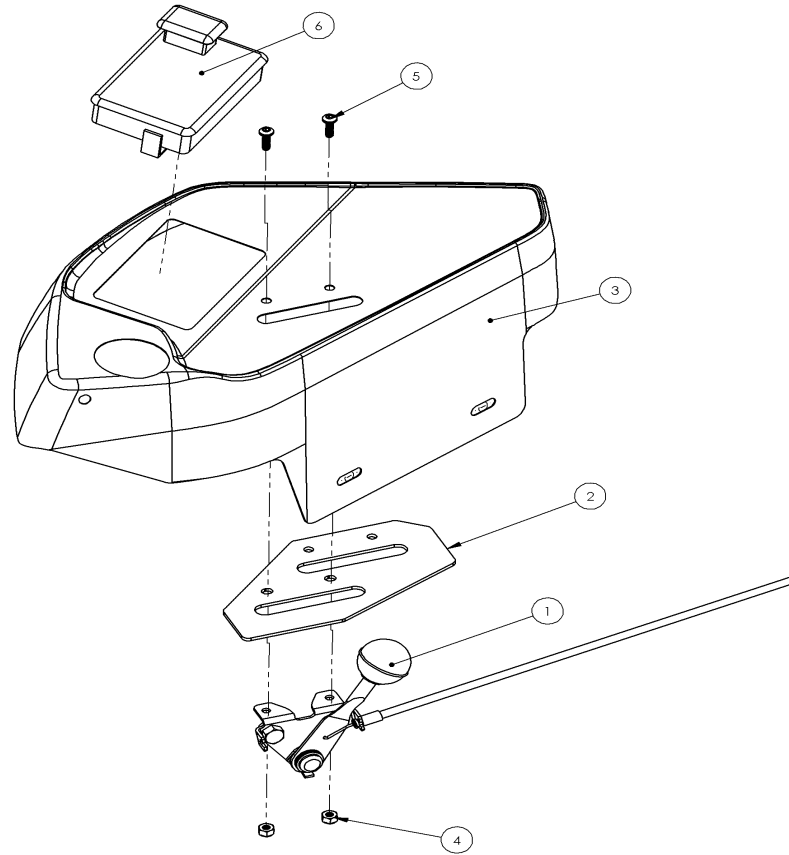


TITLE:	ASM,CONSOLE,LH
PART NO.:	2001005

Ref#	Part#	Description	Qty
1	4000125	CONSOLE,UTILITY,LH,ROUTED,5/17	1
2	5500005	PAD	1
3	5500006	LINER	1
4	8200062	SOCKET	1

2001175, ASM,CONSOLE,RH,ST,VG PRO,TRXI V37

UNCONTROLLED DOCUMENT IF PRINTED

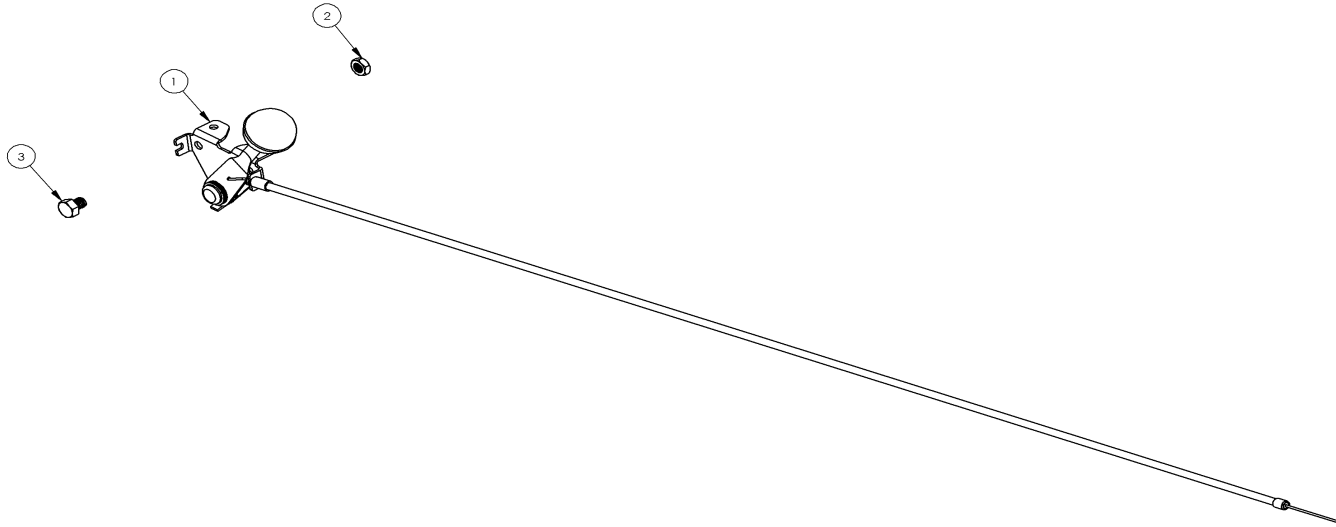


TITLE:	Asm. Console, RH, TRX, EFI
PART NO.:	2001175

Ref#	Part#	Description	Qty
1	2001070	ASM,CABLE CNTL,38",BLACK KNOB,SEALED	1
2	3105492	STIFFENER PLATE,CONSOLE,12GA,XC/XPHD/TRX	1
3	4000138	CONSOLE,INSTRUMENT,VG PRO,RH,RTD,ST,EFI	1
4	5000179	NUT	2
5	5000208	SCREW	2
6	8200318	CONTROLLER,VG PRO,LCD,LED,PTO,RPM,EFI	1

2001070, ASM,CABLE CNTL,38",BLACK KNOB,SEALED

UNCONTROLLED DOCUMENT IF PRINTED

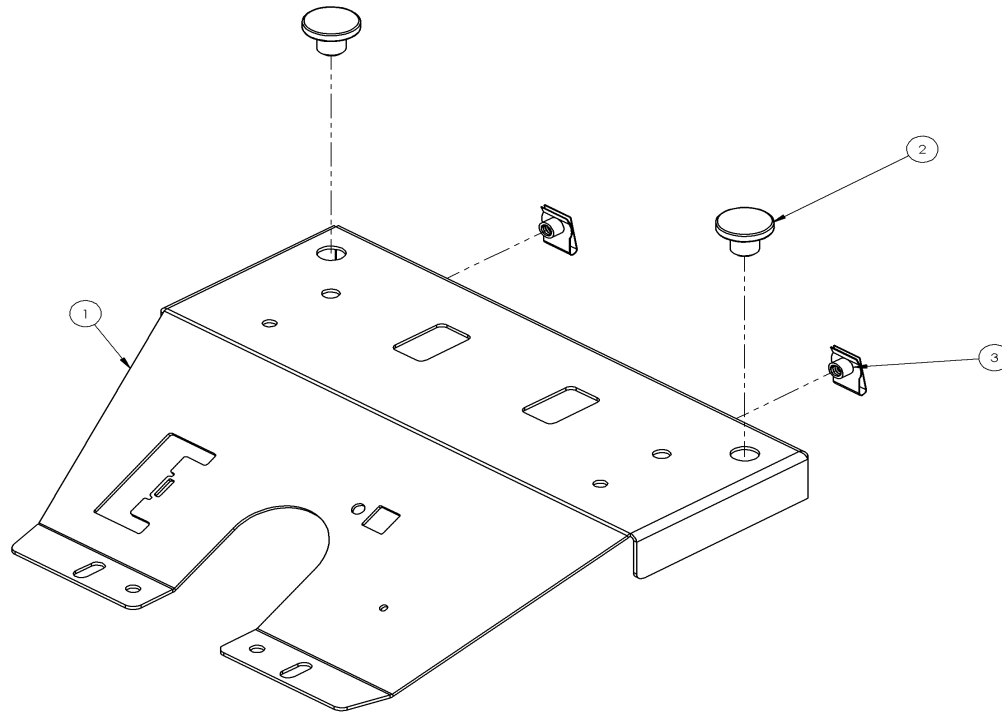


TITLE:	Asm, Cable Control, 38"
PART NO.:	2001070

Ref#	Part#	Description	Qty
1	2900531	CABLE,CNTL,38",BLACK KNOB,SEALED,03/17	1
2	5000165	NUT	1
3	5000610	SCREW,5/16"-18X1/2",HHCS,NYLON,BLK	1

2001206, ASM,ELECT CNTRL PAN,TRX766,2020

UNCONTROLLED DOCUMENT IF PRINTED

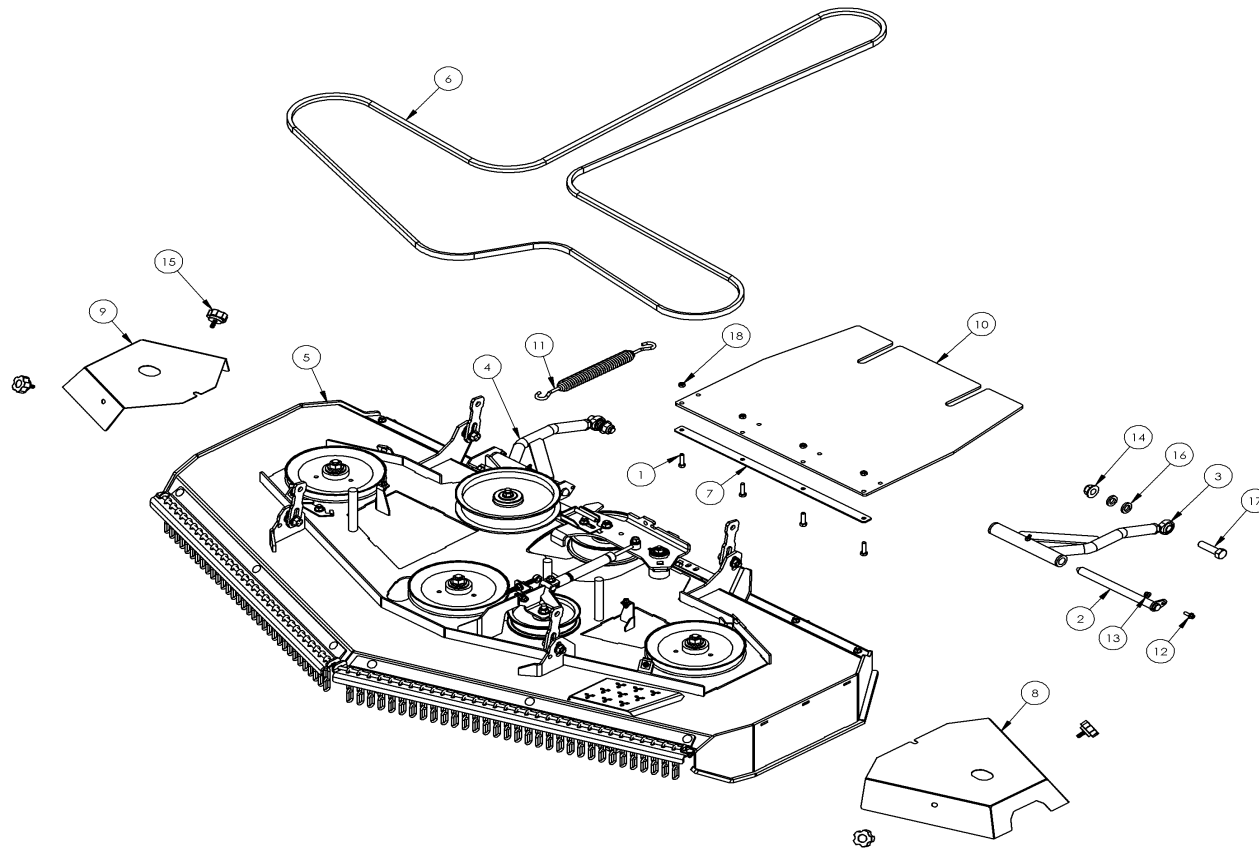


TITLE:	Asm, Elect. Control Pan, TRX 766, 10/19
PART NO.:	2001206

Ref#	Part#	Description	Qty
1	3105448	FRAME,SEAT ELECT.PAN,14GA,TRX766	1
2	4000050	STOP	2
3	5000180	NUT	2

9990772, SYS,DECK,ALL-TERRAIN,OFF-SET,TRX766,2021

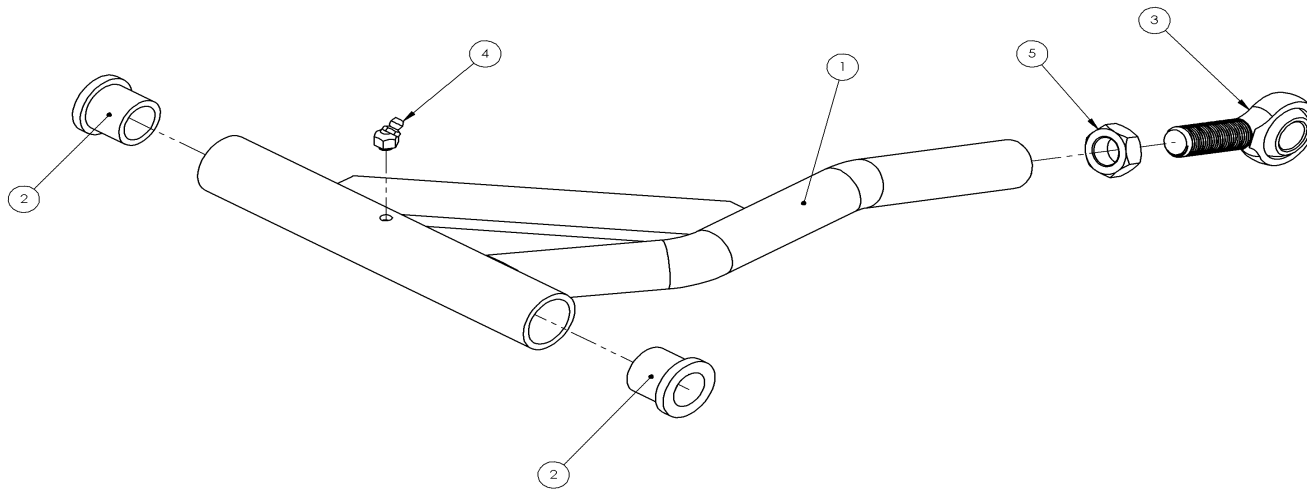
UNCONTROLLED DOCUMENT IF PRINTED

Deck System, TRX766
ATPART NO:
9990772

Ref#	Part#	Description	Qty
1	8331	BOLT	4
2	1200678	WELD,DECK STABZ PIN,REAR,TRX/XPHD	2
3	2001036	ASM,DECK STABLZR ARM,LH,RND,TRX610/660	1
4	2001037	ASM,DECK STABLZR ARM,RH,RND,TRX610/660	1
5	2001356	ASM,MOWER DECK,ALL-TERRAIN,OS,TRX766	1
6	2900337	VBELT	1
7	3106404	PLATE,DECK DEBRIS SHIELD,10GA,TRX766 AT	1
8	3106405	DECK COVER,PULLEY,LH,OS,16GA,TRX766 AT	1
9	3106406	DECK COVER,PULLEY,RH,OS,16GA,TRX766 AT	1
10	4000151	PAN,DEBRIS SHIELD,TRX766,20.75"X23",HDPE	1
11	5000077	SPRING	1
12	5000126	BOLT	2
13	5000156	NUT	2
14	5000163	NUT	2
15	5000183	KNOB	4
16	5000293	WASHER	4
17	5000548	SCREW	2
18	5000628	NUT,5/16"-18,TOP LOCK,GR B,ZY/WAX	4

2001036, ASM,DECK STABLZR ARM,LH,RND,TRX610/660

UNCONTROLLED DOCUMENT IF PRINTED

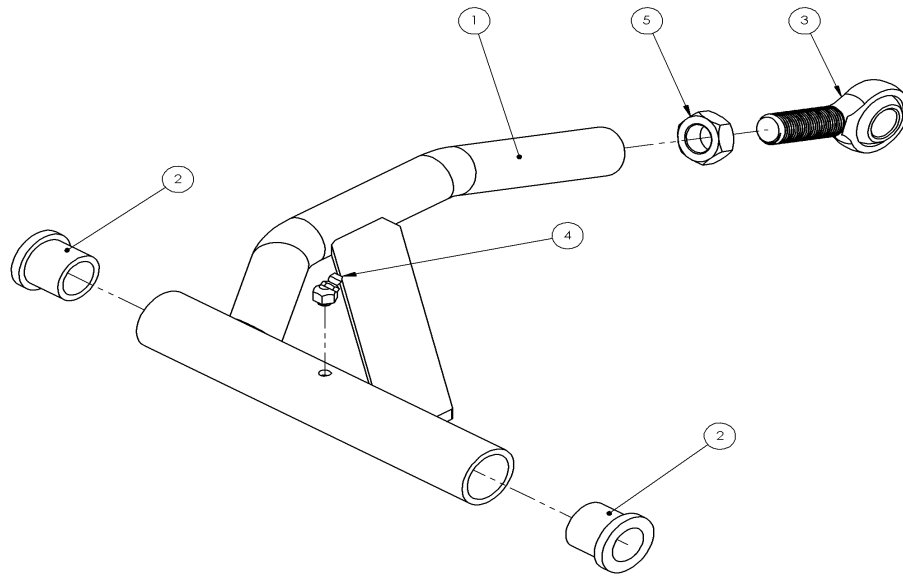


TITLE:	ASM,ROUND STABILIZER ARM,LH, TRX
PART NO.:	2001036

Ref#	Part#	Description	Qty
1	1200743	WELD,DECK STABILIZER ARM,LH,ROUND,TRX	1
2	5000093	BUSHING	2
3	5000570	ROD END,MALE,SPHERICAL,5/8"-18 RH,ZC	1
4	5000572	GREASE FITTING,45 DEG,1/4-28,ZC	1
5	5000573	NUT	1

2001037, ASM,DECK STABLZR ARM,RH,RND,TRX610/660

UNCONTROLLED DOCUMENT IF PRINTED

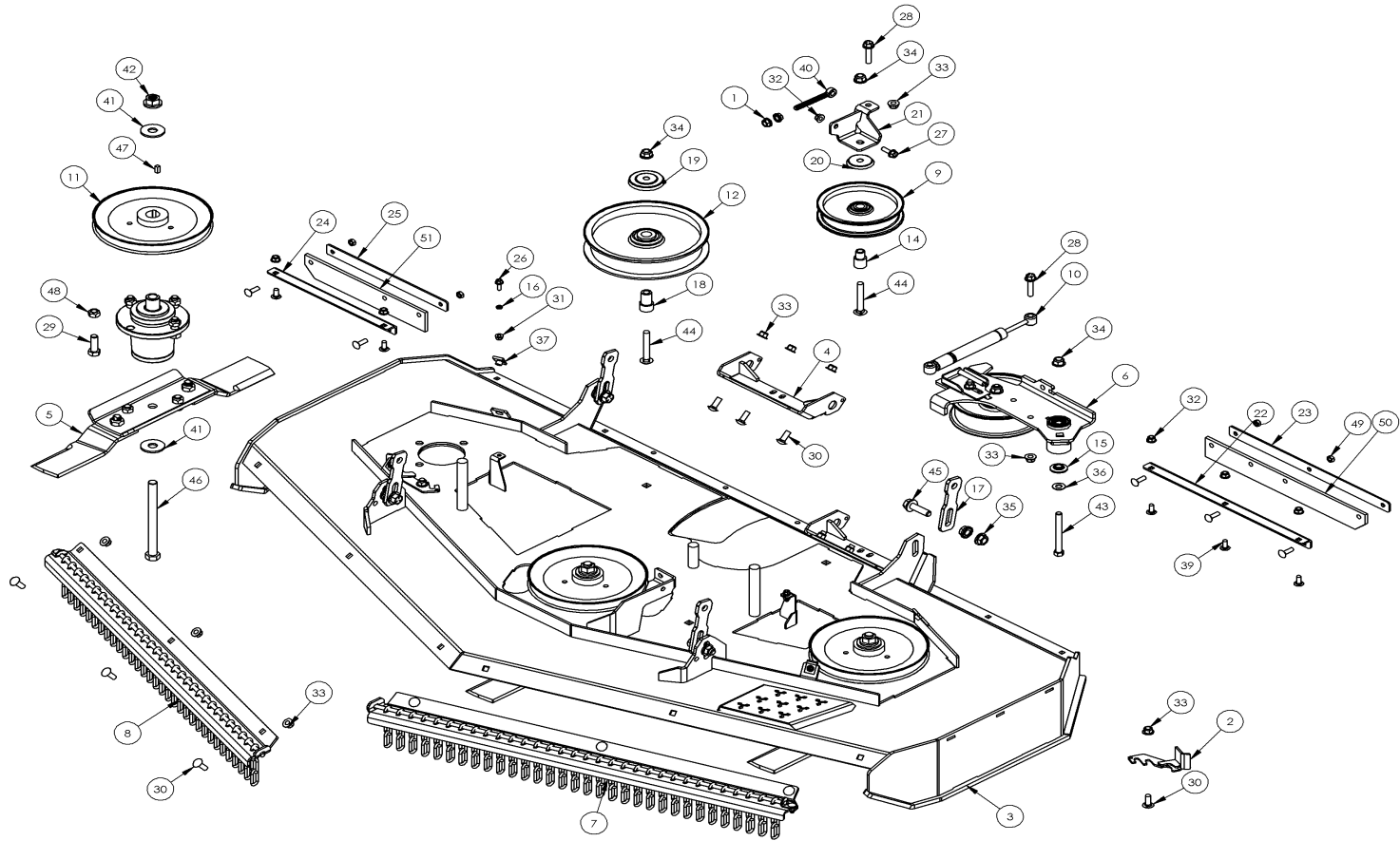


TITLE:	ASM,ROUND STABILIZER ARM,RH, TRX
PART NO.:	2001037

Ref#	Part#	Description	Qty
1	1200752	WELD,DECK STABILIZER ARM,RH,ROUND,TRX	1
2	5000093	BUSHING	2
3	5000570	ROD END,MALE,SPHERICAL,5/8"-18 RH,ZC	1
4	5000572	GREASE FITTING,45 DEG,1/4-28,ZC	1
5	5000573	NUT	1

2001356, ASM,MOWER DECK,ALL-TERRAIN,OS,TRX766

UNCONTROLLED DOCUMENT IF PRINTED



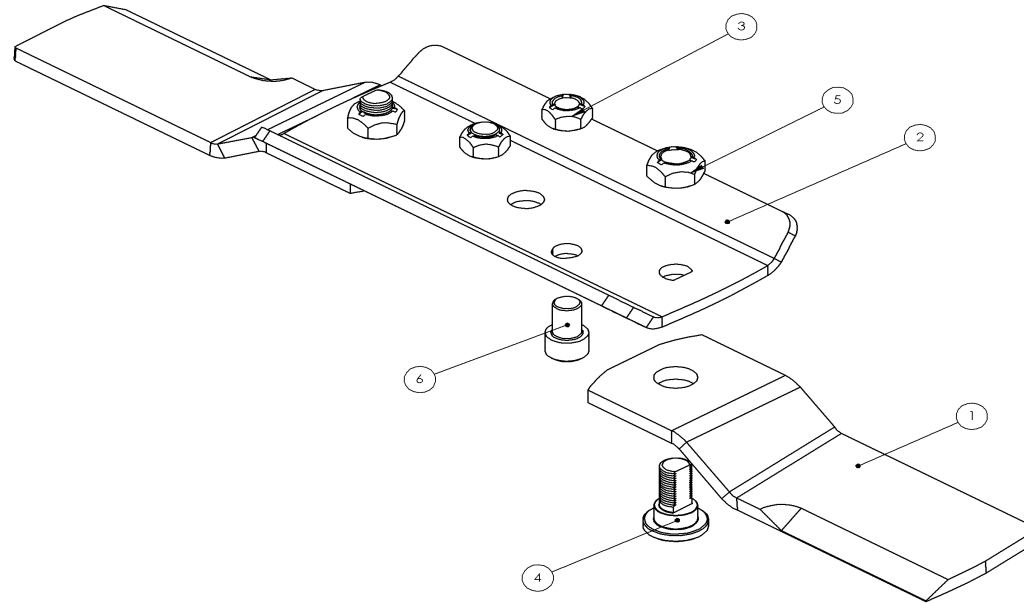
TITLE Asm, Offset Deck, TRX766 AT
PART NO. 2001356

Ref#	Part#	Description	Qty
1	7787	NUT	2
2	1200675	WELD,BELT GUIDE,UNIVERSAL,XPHD/TRX	2
3	1201028	WELD,MOWER DECK,ALL-TERRAIN,OS,TRX766	1
4	1201029	WELD,DECK STABILIZER BRKT,OS,TRX766 AT	2
5	2000913	ASM,BLADE,ALL TERRAIN DECK,TRX660/766	3
6	2001178	ASM,DECK TENSIONER,XCZ/XPHD/TRX	1
7	2001357	ASM,FRONT CHAIN GUARD,LH,OS,TRX766 AT	1
8	2001358	ASM,FRONT CHAIN GUARD,RH,OS,TRX766 AT	1
9	2900287	PULLEY	1
10	2900470	DAMPER,SROID,200N,88MM STROKE	1
11	2900528	SPINDLE PULLEY,W/HUB,8.661"OD,ZY,TRX AT	3
12	2900622	PULLEY,FLAT IDLER,9"ODX0.76"ID,DBL BB	1
13	2900623	SPINDLE ASM,CLAMP,TRX AT DECK	3
14	3100498	SPACER SLEEVE	1
15	3100502	LOWER SPACER	1
16	3100700	SPACER WASHER,DECK COVER,12GA	2
17	3104316	LIFT LINK,DECK,.25",TRX	4
18	3105299	SPACER SLEEVE,DECK PULLEY,1"ODX1.735",ZY	1
19	3105921	DUST CAP,IDL PULLEY,DBL BRG,20GA,.453"ID	1
20	3105923	DUST CAP,IDL PULLEY,SGL BRG,20GA,.453"ID	1
21	3106399	MNT BRKT,TENSIONER DAMPER,7GA,TRX766 AT	1
22	3106400	MNT,LH REAR GUARD,OS,10GA,TRX766 AT	1
23	3106401	STRAP,LH REAR GUARD,OS,10GA,TRX766 AT	1
24	3106402	MNT,RH REAR GUARD,OS,10GA,TRX766 AT	1
25	3106403	STRAP,RH REAR GUARD,OS,10GA,TRX766 AT	1
26	5000126	BOLT	2

27	5000128	BOLT	1
28	5000131	BOLT	2
29	5000142	SCREW	12
30	5000154	BOLT	14
31	5000156	NUT	2
32	5000157	NUT	6
33	5000159	NUT	16
34	5000161	NUT	3
35	5000164	NUT	8
36	5000175	WASHER	1
37	5000181	NUT	4
38	5000194	BOLT	5
39	5000196	BOLT	5
40	5000230	ROD END	1
41	5000262	WASHER	6
42	5000337	NUT	3
43	5000360	SCREW	1
44	5000447	BOLT	2
45	5000476	BOLT	4
46	5000560	SCREW	3
47	5000565	KEY,SQUARE,.25"X.625"L,ZC	3
48	5000584	NUT	12
49	5000628	NUT,5/16"-18, TOP LOCK,GR B,ZY/WAX	5
50	5500066	REAR GUARD,RUBBER,LH,OS,16.25",TRX766 AT	1
51	5500067	REAR GUARD,RUBBER,RH,OS,12.25",TRX766 AT	1

2000913, ASM, BLADE, ALL TERRAIN DECK, TRX660/766

UNCONTROLLED DOCUMENT IF PRINTED



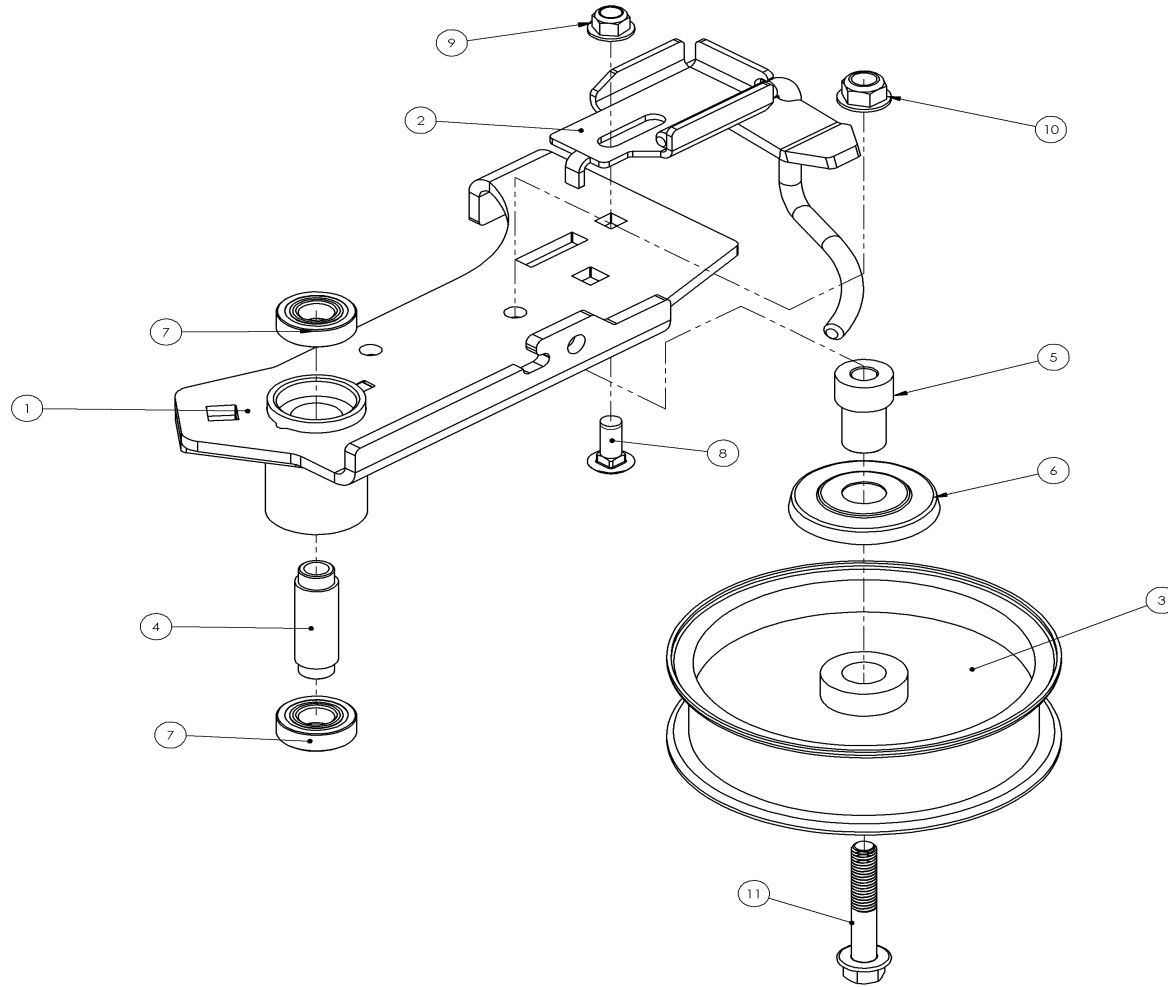
Assem, Blade, Rough
Cut, TRX660

2000913

Ref#	Part#	Description	Qty
1	2900524	BLADE,OFFSET,8.5"X2.75"X.313",TRX/TSX AT	2
2	3104666	HUB,BLADE,NARROW,.25",TRX660/766 AT	1
3	5000584	NUT	2
4	5000617	BOLT,BLADE,W/FLAT,9/16"-18 UNF,ZY	2
5	5000618	NUT,9/16"-18,TOP LOCK,ZC/WAX	2
6	5000623	SCREW,1/2"-13X3/4",SHCS,BO	2

2001178, ASM,DECK TENSIONER,XCZ/XPHD/TRX

UNCONTROLLED DOCUMENT IF PRINTED



TITLE:	TENSIONER ASSEM, Deck, TRX 766
PART NO.:	2001178

Ref#	Part#	Description	Qty
1	1200067	WELD,DECK TENSIONER,XC/XPHD/TRX	1
2	1200452	WELD,TENSIONER ROD GUIDE,XC/XPHD/TRX	1
3	2900621	PULLEY,FLAT IDLER,6.75"ODX0.76"ID,DBL BB	1
4	3100501	SLEEVE	1
5	3105299	SPACER SLEEVE,DECK PULLEY,1"ODX1.735",ZY	1
6	3105922	DUST CAP,IDL PULLEY,DBL BRG,20GA,.766"ID	1
7	5000082	BEARING	2
8	5000146	BOLT	1
9	5000159	NUT	1
10	5000161	NUT	1
11	5000688	BOLT,7/16"-14X2-3/4",FLANGED HH,GR8,ZY	1

2001357, ASM,FRONT CHAIN GUARD,LH,OS,TRX766 AT

UNCONTROLLED DOCUMENT IF PRINTED

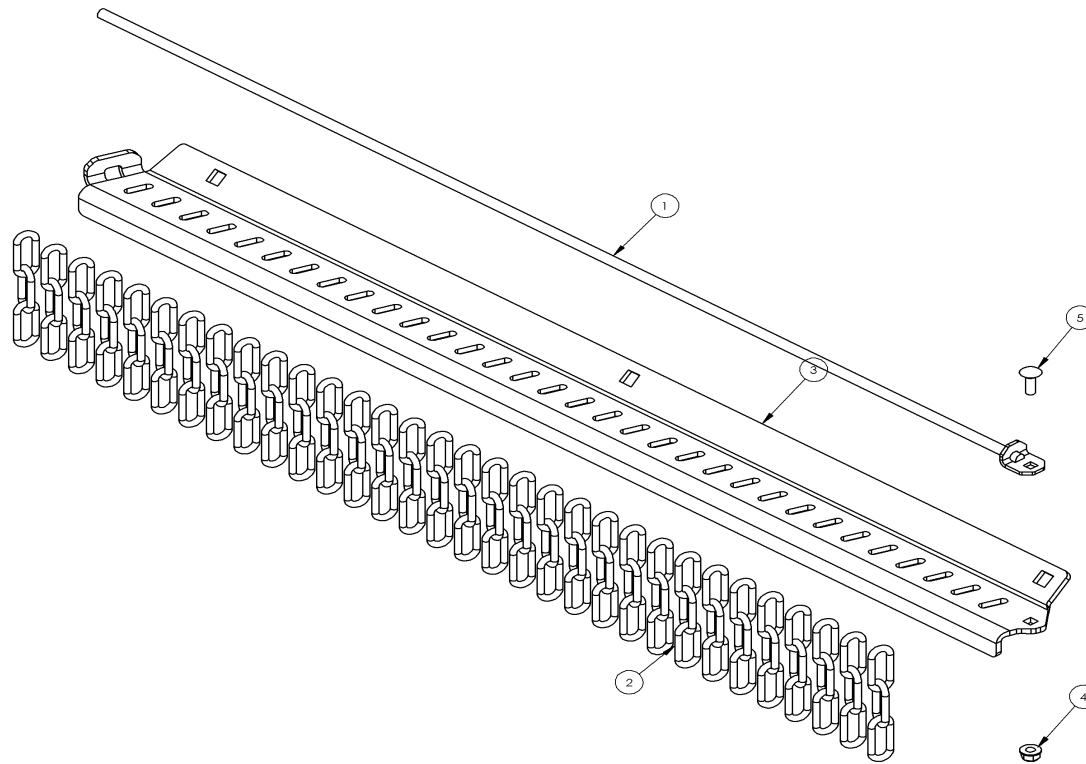


FIG. 1
Asm, Front Chain
Guard, LH, TRX766 AT

PART NO.
2001357

Ref#	Part#	Description	Qty
1	1200668	WELD,CHAIN KEEPER,TRX660/766 AT	1
2	3104124	CHAIN,3 LINK,STRAIGHT,2/0 ELECTRO GALV	32
3	3106397	MNT,CHAIN GUARD,LH,7GA,TRX766 AT	1
4	5000156	NUT	1
5	5000492	BOLT	1

2001358, ASM,FRONT CHAIN GUARD,RH,OS,TRX766 AT

UNCONTROLLED DOCUMENT IF PRINTED

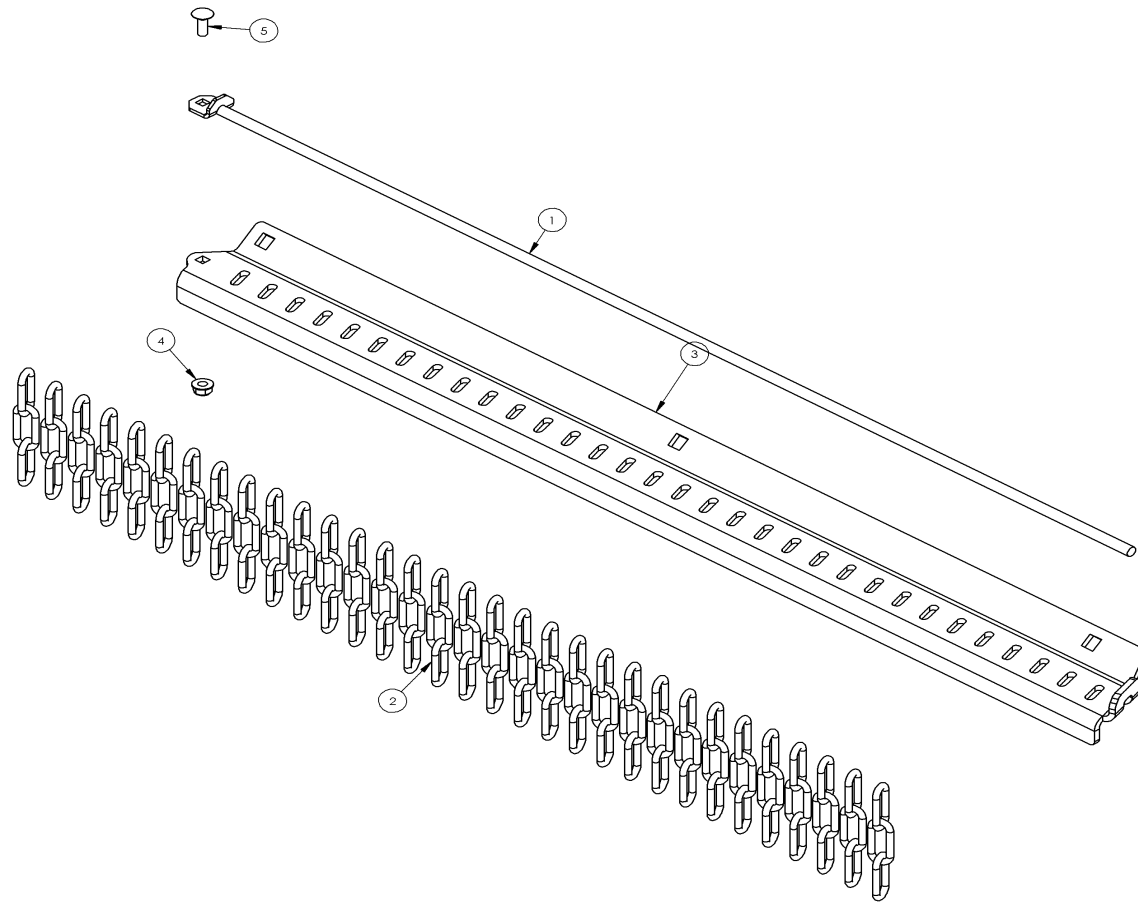
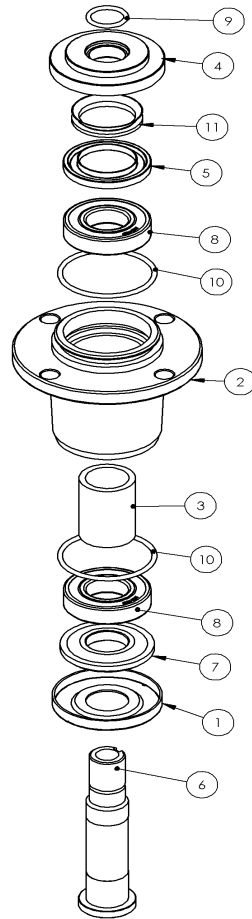


FIG.	Asm, Front Chain Guard, RH, TRX766 AT
PART NO.	2001358

Ref#	Part#	Description	Qty
1	1200668	WELD,CHAIN KEEPER,TRX660/766 AT	1
2	3104124	CHAIN,3 LINK,STRAIGHT,2/0 ELECTRO GALV	32
3	3106398	MNT,CHAIN GUARD,RH,7GA,TRX766 AT	1
4	5000156	NUT	1
5	5000492	BOLT	1

2900623, SPINDLE ASM,CLAMP,TRX AT DECK

UNCONTROLLED DOCUMENT IF PRINTED



TITLE:	Assembly, Clamp Style, All Terrain Spindle
PART NO.:	2900623

Ref#	Part#	Description	Qty
1	3104284	GRASS SHIELD,LOWER,SPINDLE,ZY,TRX AT	1
2	3104644	HOUSING,SPINDLE,TRX AT	1
3	3105302	SPACER,SPINDLE BEARING,ZC,TRX AT	1
4	3105303	GRASS SHIELD,UPPER,SPINDLE,ZY,TRX AT	1
5	3105304	RETAINER,V-SEAL,SPINDLE,1.66ID,ZC,TRX AT	1
6	3105305	SHAFT,SPINDLE,CLAMP STYLE,PL,TRX AT	1
7	3105306	WASHER,LOWER SEAL,SPINDLE,ZY,TRX AT	1
8	5000686	BEARING,SPINDLE,SEALED/SHIELD,TRX AT	2
9	5000687	O-RING,SPINDLE,SIZE-211,BUNA-N,TRX AT	1
10	5500031	O-RING,SPINDLE,SIZE-230,BUNA-N,TRX AT	2
11	5500050	V-LIP SEAL,SPINDLE,1.575"ID,45,TRX AT	1